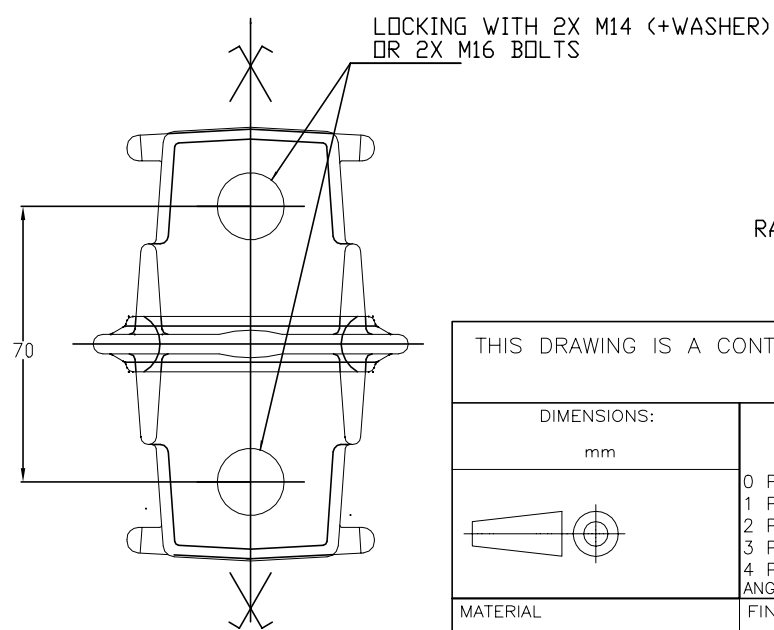
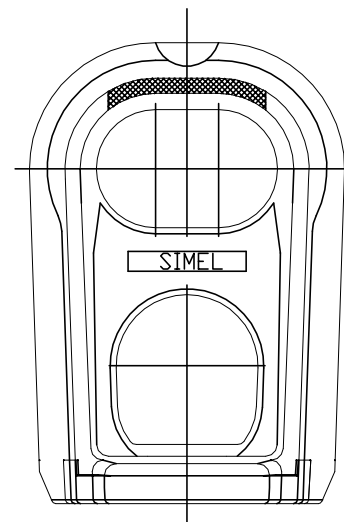
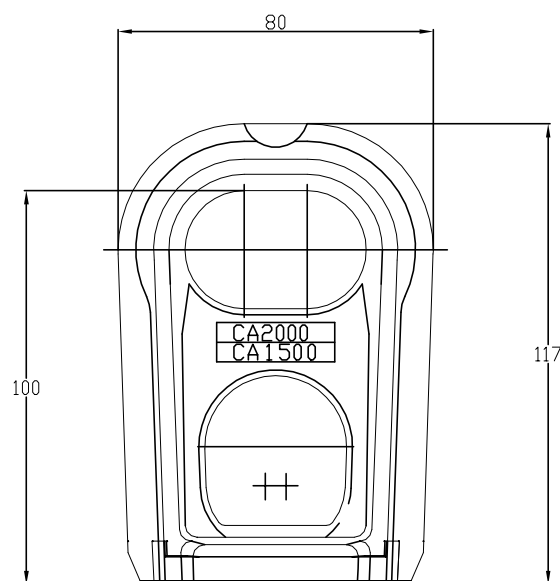
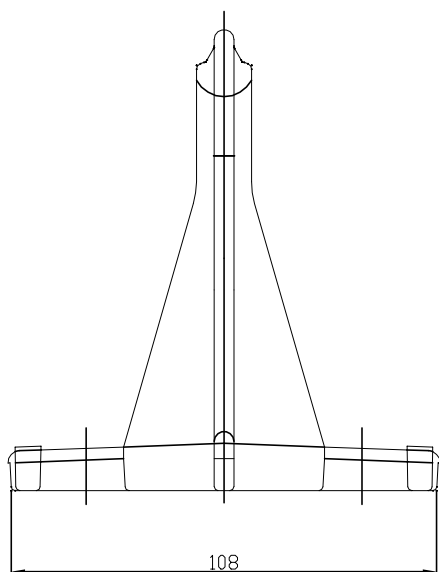
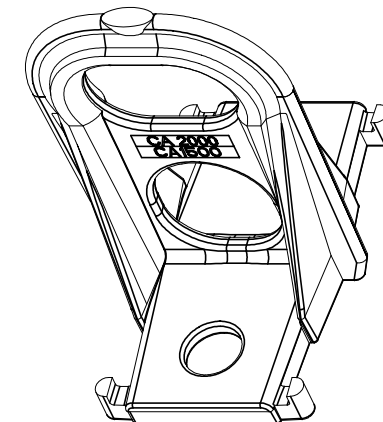
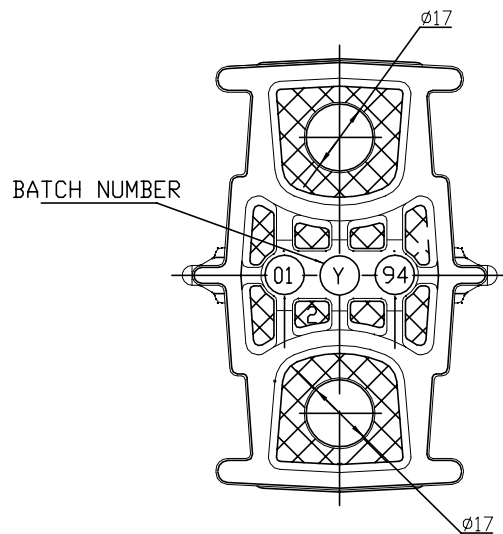


REVISIONS					
P	LTR	DESCRIPTION	DATE	DWN	APVD
A		NEW DRAWING	23JUN2021	VG	NA



RAW MATERIAL: ALU ALLOY

20 PCS	270 g	CA 1500/2000 X20	717963-2
PACKAGING	WEIGHT	DESCRIPTION	PART NUMBER

THIS DRAWING IS A CONTROLLED DOCUMENT.		DWN	R.VI.S	23JUN2021	 TE Connectivity	NAME	CONSOLE CA 1500 / 2000					
DIMENSIONS:		CHK	L.JONATHAN	23JUN2021			PRODUCT SPEC	APPLICATION SPEC	SIZE	CAGE CODE	DRAWING NO	RESTRICTED TO
mm		APVD	N.ALMEIDA	23JUN2021					---	---	A3	00779
		TOLERANCES UNLESS OTHERWISE SPECIFIED:		WEIGHT		CUSTOMER DRAWING		SCALE	SHEET	REV		
-		0 PLC ± - 1 PLC ± - 2 PLC ± - 3 PLC ± - 4 PLC ± - ANGLES ± -		-		1:1		1 OF 1		A		
MATERIAL		FINISH		-		-		-		-		