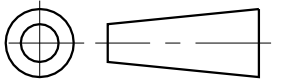


DO NOT SCALE

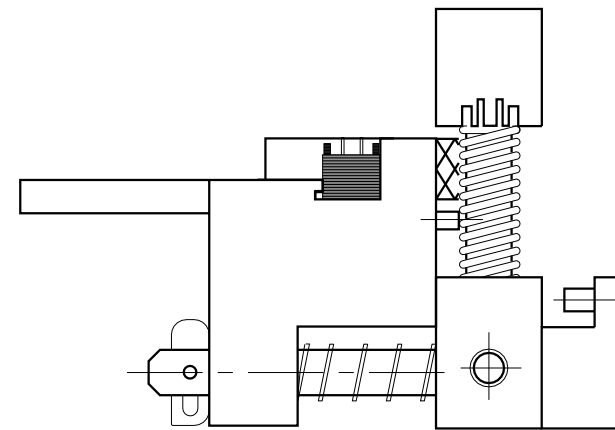
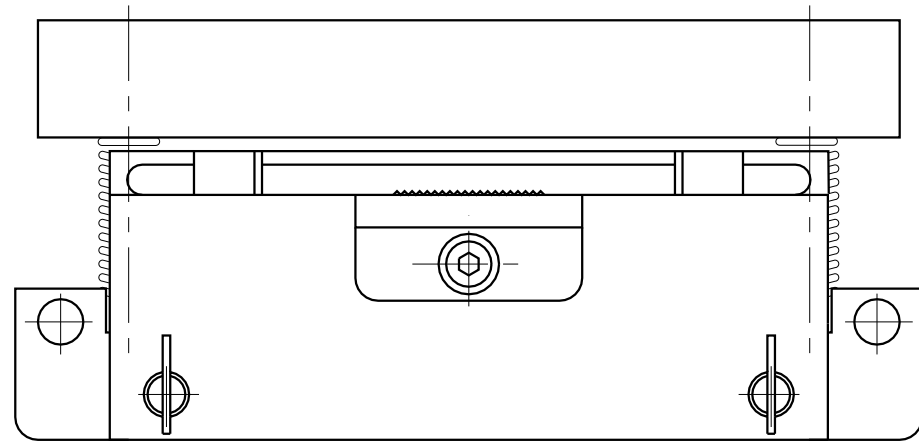
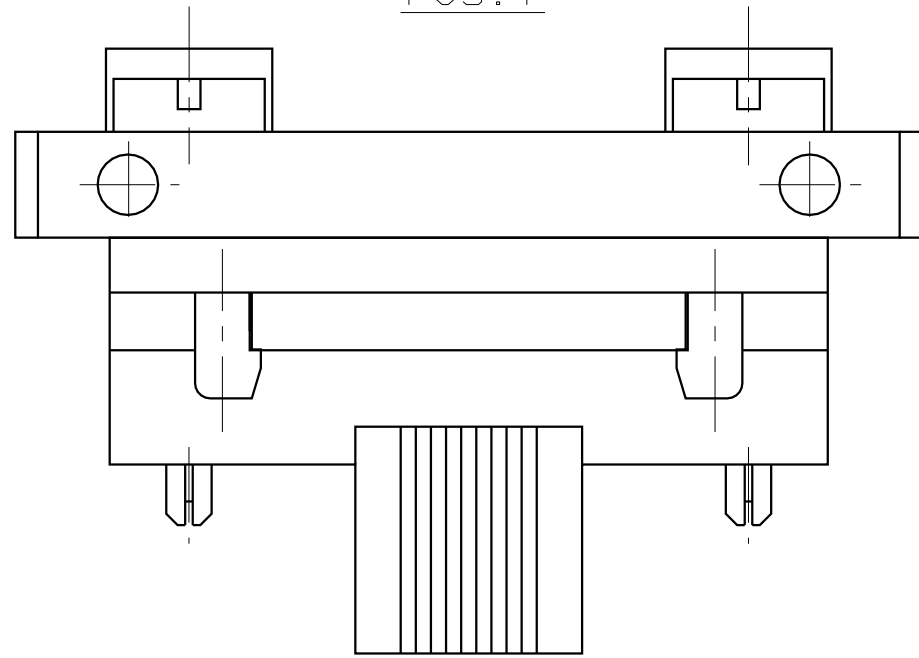
DIMENSIONS IN mm

METRIC

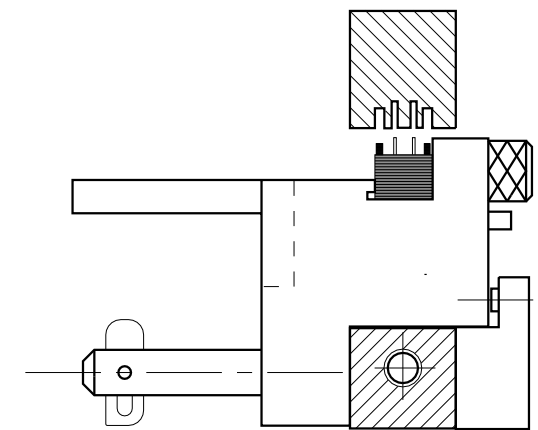
THIRD ANGLE
PROJECTION



POS. 1



POS. 1



POS. 2

CONNECTOR PN :
216093
216094

	BLACK	-	734375-1
	FINISH	MATERIAL	PARTNUMBER
CUSTOMER DRAWING	AMP AMP-HOLLAND B.V. 's-Hertogenbosch, The Netherlands.		
	THIS DRAWING IS UNPUBLISHED RELEASED FOR PUBLICATION 19		
FOR REFERENCE ONLY WILL NOT BE UPDATED	© COPYRIGHT 19- BY AMP-HOLLAND B.V. ALL INTERNATIONAL RIGHTS RESERVED. AMP PRODUCTS MAY BE COVERED BY U.S. AND FOREIGN PATENTS AND/OR PATENTS PENDING.		
DR. R.V05	DATE 22-05-89	WIRE RANGE -	NAME AMP LATCH
CHK. R.V05	DATE -	INSUL. RANGE -	PRE-ASS.DIL PLUG
APP. L.V.S0EST	DATE -	SIZE A3	SHEET 1 OF 1
		DWG. No.	734375
			REV. DATE D M Y 22 05 89
			REV. LTR. 0

8

7

6

5

4

3

2

1

F
E
D
C
B
A