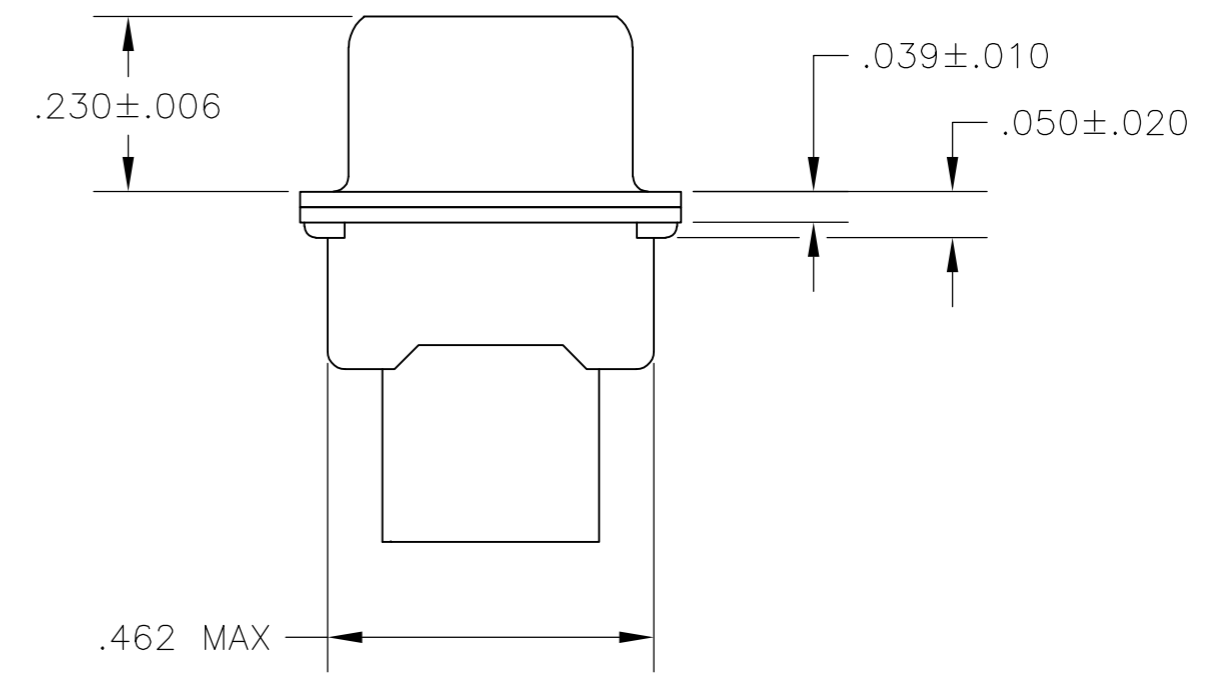
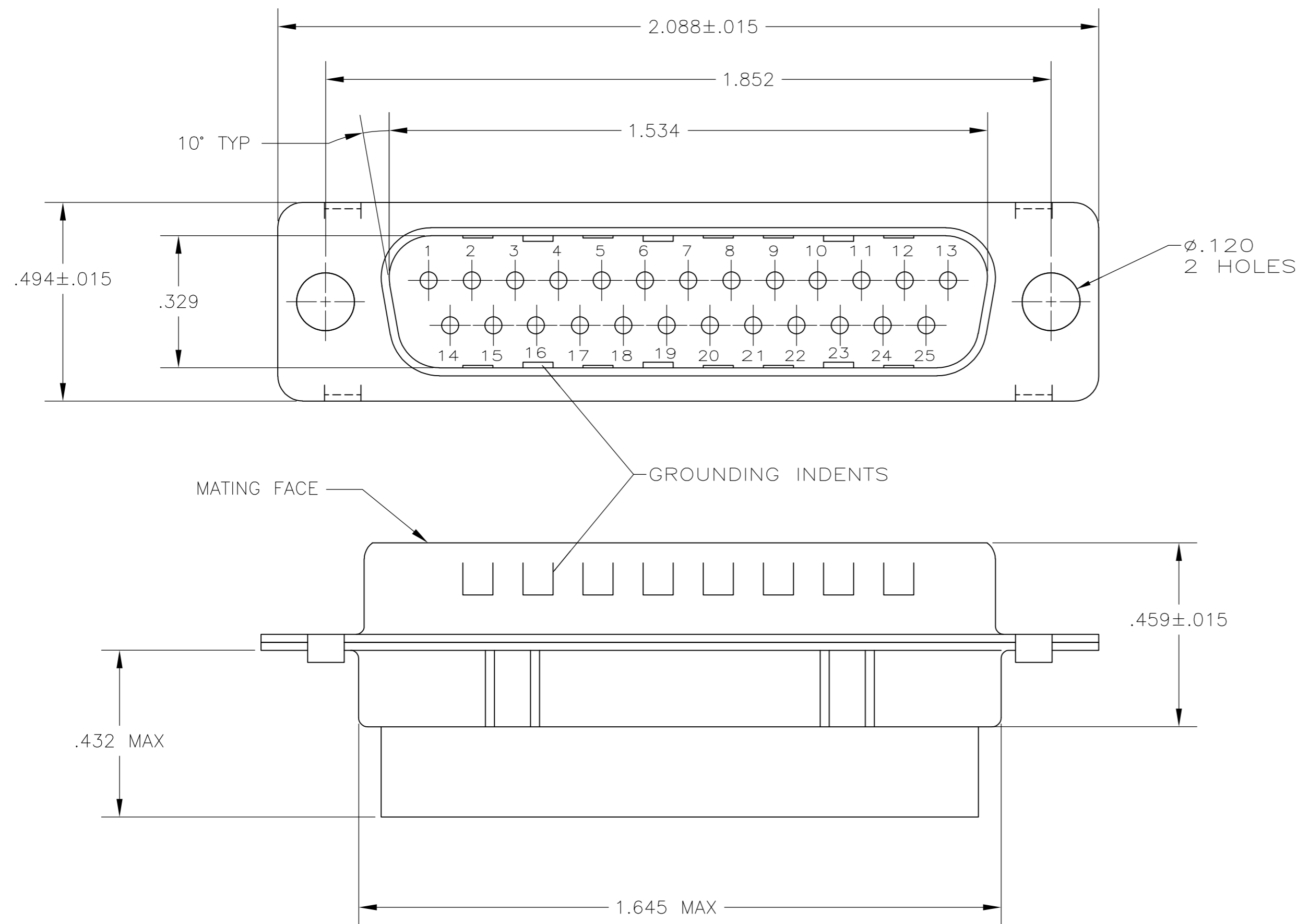


THIS DRAWING IS UNPUBLISHED. RELEASED FOR PUBLICATION
 © COPYRIGHT - By - ALL RIGHTS RESERVED.

LOC	DIST	REVISIONS			
P	LTR	DESCRIPTION	DATE	DWN	APVD
GP	00	B	REVISED PER ECO-14-011808	12AUG2014	AP SB



- 1 CONNECTOR ACCEPTS SIZE 20 DF PIN CONTACTS, RETENTION TINES ARE AN INTEGRAL PART OF INSERT.
- 2 CONNECTOR COMPLIES WITH 108-40005 WHERE APPLICABLE.
- 3 MOLDED PARTS: GLASS-FILLED PBT OR GLASS-FILLED NYLON, UL94V-0 RATED. COLOR: BLACK.
- 4 SHELL MATERIAL: STEEL PER ASTM A109.
- 5 SHELL FINISH: TIN PLATE OVER COPPER UNDERPLATE.

747552-3
 PART NUMBER

THIS DRAWING IS A CONTROLLED DOCUMENT.		DWN C. VALENTINE 18NOV2009																				
DIMENSIONS: INCHES		CHK C. ROHDE 18NOV2009																				
TOLERANCES UNLESS OTHERWISE SPECIFIED:		APVD C. ROHDE 18NOV2009	NAME																			
<table border="0"> <tr><td>0 PLC</td><td>±</td><td>-</td></tr> <tr><td>1 PLC</td><td>±</td><td>-</td></tr> <tr><td>2 PLC</td><td>±</td><td>-</td></tr> <tr><td>3 PLC</td><td>±</td><td>.005</td></tr> <tr><td>4 PLC</td><td>±</td><td>-</td></tr> <tr><td>ANGLES</td><td>±</td><td>-</td></tr> </table>		0 PLC	±	-	1 PLC	±	-	2 PLC	±	-	3 PLC	±	.005	4 PLC	±	-	ANGLES	±	-	PRODUCT SPEC	PLUG ASSEMBLY, SIZE 3, 25 POSN, HDP-20, AMPLIMITE FOR SHIELDING HARDWARE	
0 PLC	±	-																				
1 PLC	±	-																				
2 PLC	±	-																				
3 PLC	±	.005																				
4 PLC	±	-																				
ANGLES	±	-																				
MATERIAL: SEE NOTES		APPLICATION SPEC	SIZE	CAGE CODE																		
FINISH: SEE NOTES		WEIGHT	A2	00779																		
		CUSTOMER DRAWING	SCALE	SHEET																		
			NTS	1 of 1																		
			REV	B																		