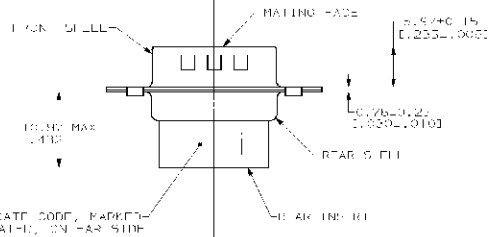
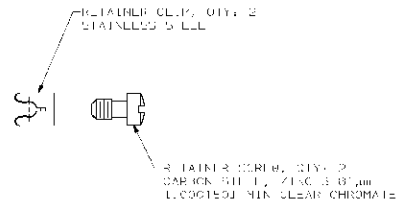
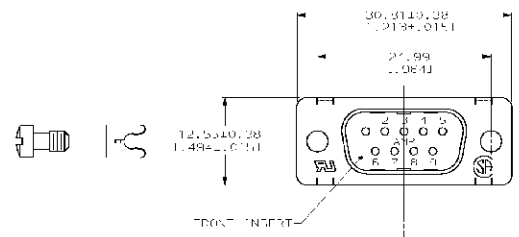
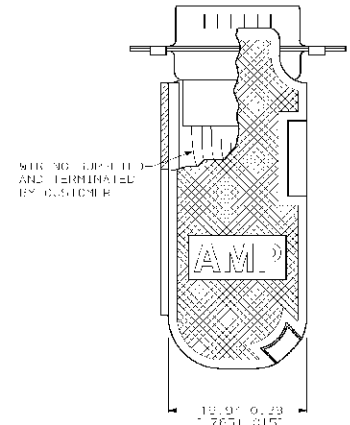
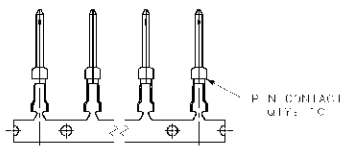


THIS DRAWING IS UNCONTROLLED. RELEASED TOP POSITION. BY THIS ELECTRONICS CORPORATION. ALL INFORMATION HEREIN RESERVED.

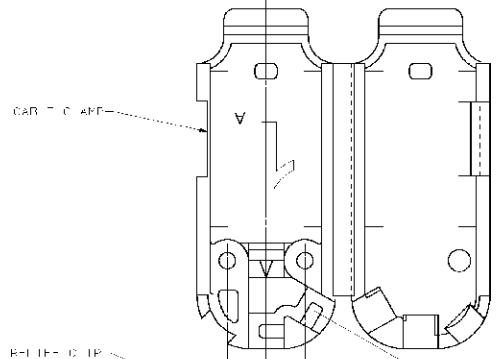
REV	DATE	DESCRIPTION	BY	CHK
GP	00			
C		OBSELETE PER ETO-08-031854	19JAN2009	ZMRCWR



AMP, PART NO & DATE CODE, MARKED IN AREA INDICATED, ON REAR SHELL



ASSEMBLED VIEW



STRAIN RELIEF CLIP (STAINLESS STEEL, PASSIVATED)

SELF-APPING SCREW, QTY: 2 CARBON STEEL, ZINC PLATED

- CONTACTS ACCEPT 20-24 AWG RANGE.
- NO OIL, CLASSIFIED, UL 94V-0 RATED, BLACK.
- NO SOLDER ON CONTACTS.
- BRASS.
- CARBON STEEL.
- CABLE GAUGE 20-24 AWG IN CABLE PLUG AND STRAIN RELIEF.
- GOLD PLATING PER MIL-STD-883C, MINIMUM PLATING THICKNESS 200Å; COPPER PLATING PER MIL-STD-883C, ZINC PLATING PER ASTM B563, TYPE II, CLASS 100.
- CONTACTS FOR A RANGE OF CURRENTS MINIMUM RATED CURRENT 2.0AMP @ 0.001000 HRS IN OR 100% DUTY ON OPPOSITE LEADS; AMPERAGE OF 4.06 @ 1.000 MIN FROM END OF INSULATION BARRIER WITH OVER 0.75mm (0.0295") MIN NICKLE ON CONTACT.
- 5.00mm (0.19685") MIN TYPICAL OVER 1.27mm (0.0500") MIN COATED.
- STRAIN OF THE CABLE CAN BE REVERSED FOR PROPER INSTALLATION, DURING OR AFTER CABLE TERMINATION.
- CABLE DRAINAGE RANGE = 1.01 @ 0.35 @ 0.0500.

**OBSELETE**

SMALL PACK	749808-4
PACKAGING TYPE	PART NUMBER

THIS DRAWING IS A CONTROLLED DOCUMENT.		BY: D. OELTZ	REV: 00	Tyco Electronics Corporation Harrisburg, PA 17105-3008	
DATE: 11/14/00	APPROVED: [Signature]	BY: S. BRINER	REV: 00	Tyco Electronics Corporation	
DESCRIPTION: PLUG KIT, UNASSEMBLED, SIZE 1, 9 POSITION, AMPLIMITE HDP-20	QUANTITY: 1000	PROJECT: 114-10000	DATE: 11/14/00	REV: 00	REV: 00
APPROVED: [Signature]	DATE: 11/14/00	BY: 00779	REV: 00	REV: 00	REV: 00
DATE: 11/14/00	BY: 00779	REV: 00	REV: 00	REV: 00	REV: 00