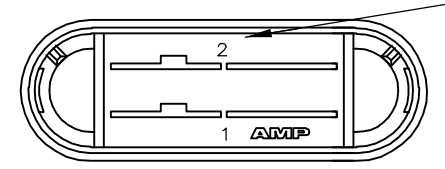
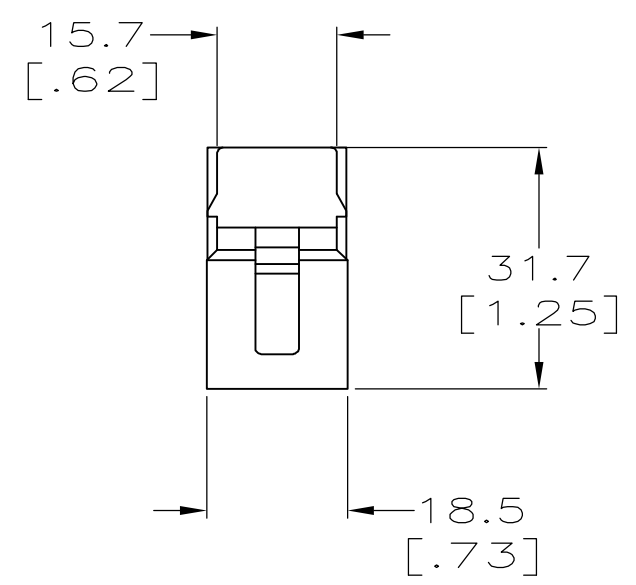
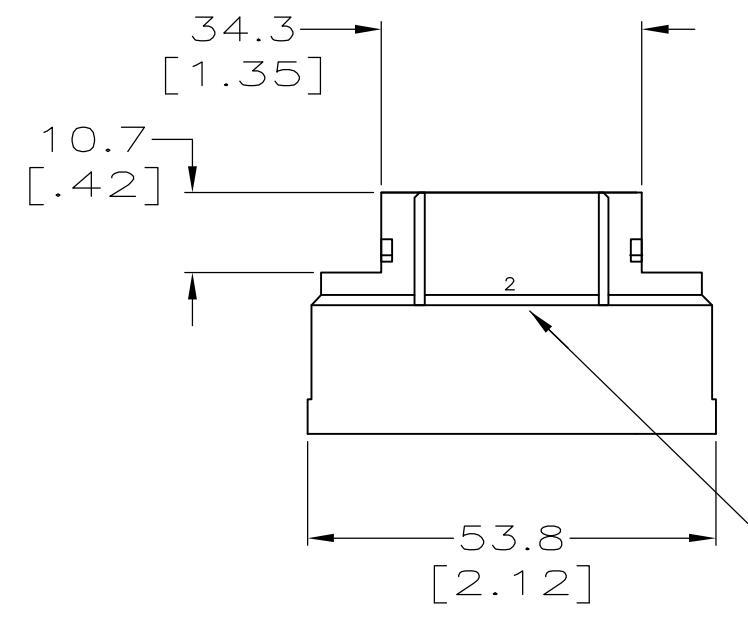
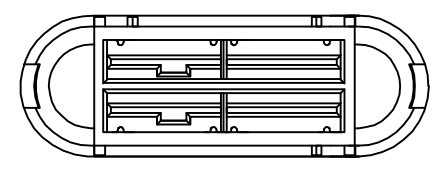
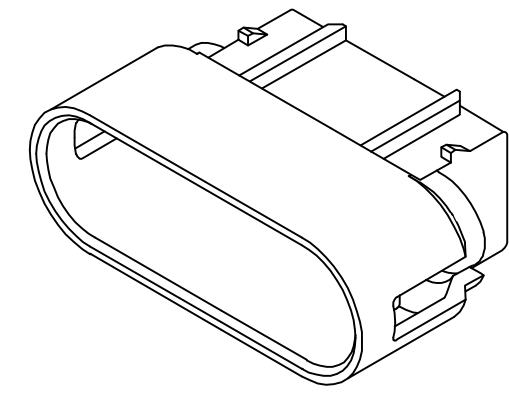


THIS DRAWING IS UNPUBLISHED. RELEASED FOR PUBLICATION
 © COPYRIGHT - BY TYCO ELECTRONICS CORPORATION. ALL RIGHTS RESERVED.

LOC	DIST	REVISIONS			
P	LTR	DESCRIPTION	DATE	DWN	APVD
GP	00	G	REVISE PER 07-003208 ECO	09/FEB/07	ECC JS

AMPOWER Is a registered trademark of AMP Incorporated.



CONTACT CAVITY IDENTIFIERS

MEETS REQUIREMENTS OF EU DIRECTIVE 2002/95/EC.

765528-1
TYCO P/N

THIS DRAWING IS A CONTROLLED DOCUMENT.		DWN 09-15-92 D. PUERNER	tyco Tyco Electronics Corporation	
DIMENSIONS: mm [INCHES]		CHK -	Harrisburg, PA 17105-3608	
TOLERANCES UNLESS OTHERWISE SPECIFIED:		APVD -	NAME	
0 PLC ± -		PRODUCT SPEC -	AMPOWER Wave Crimp System	
1 PLC ± -		APPLICATION SPEC 108-1319	RCPT, 2 CABLE CONN	
2 PLC ± 0.50 [.010]		114-49005	SIZE A3	CAGE CODE 00779
3 PLC ± 0.25 [.005]		WEIGHT -	DRAWING NO C-765528	RESTRICTED TO -
4 PLC ± -		CUSTOMER DRAWING		
ANGLES ± -		SCALE FULL SHEET 1 OF 1 REV G		
FINISH -				
MATERIAL BLACK THERMOPLASTIC				