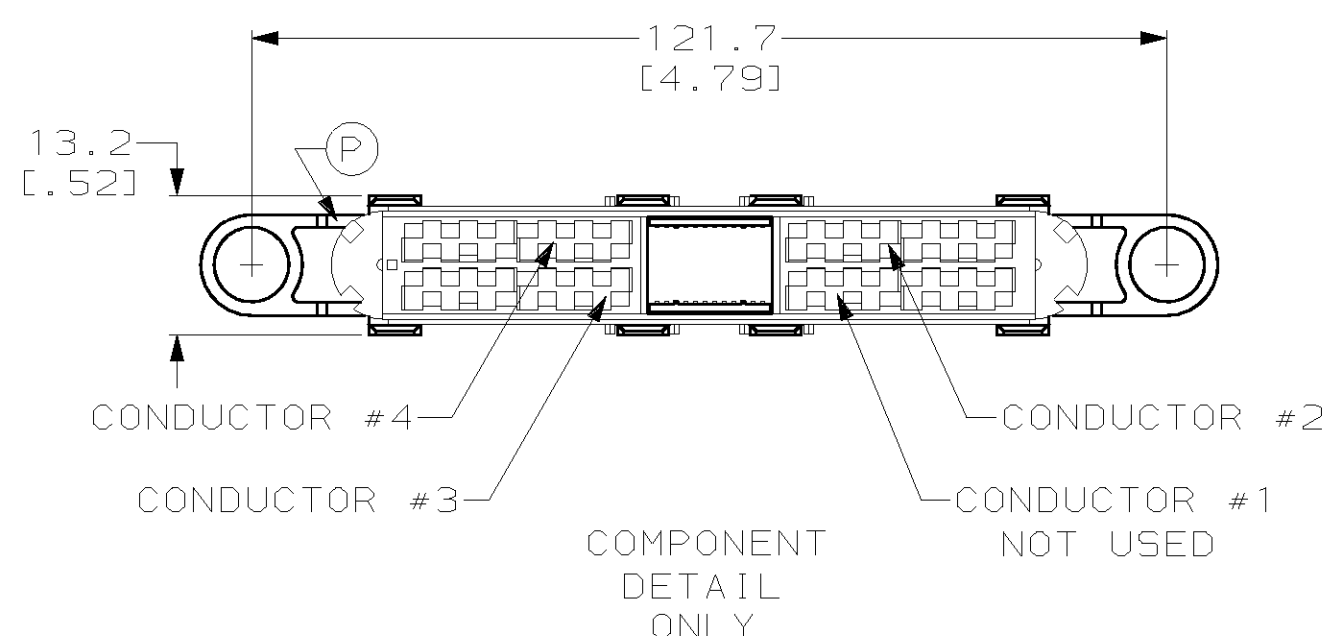
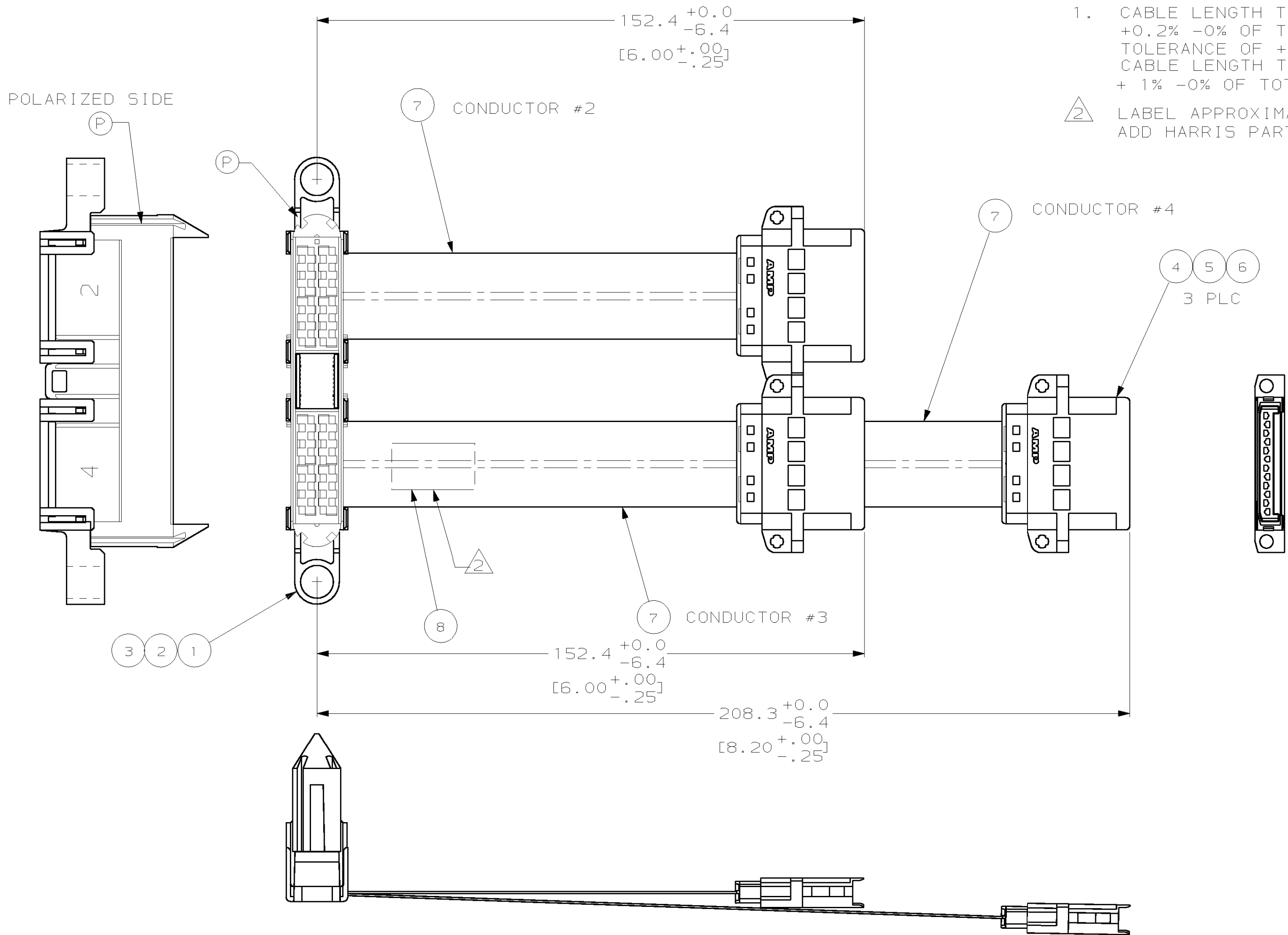


THIS DRAWING IS UNPUBLISHED. RELEASED FOR PUBLICATION .19
 © COPYRIGHT 19 BY AMP INCORPORATED. ALL RIGHTS RESERVED.

LOC		DIST		REVISIONS			
P	LTR	DESCRIPTION	DATE	DWN	APVD		
GP	00	A	RELEASED PER 0520-0250-00	15NOV00	JCB	LPM	

AMPOWER is a Trademark of AMP Incorporated

- CABLE LENGTH TOLERANCE ON 0-150 INCH LONG CABLES = +0.2% -0% OF TOTAL CABLE LENGTH WITH A MINIMUM TOLERANCE OF +6.4 [.25] -0 [0].
 CABLE LENGTH TOLERANCE ON CABLES OVER 150 INCHES LONG = + 1% -0% OF TOTAL CABLE LENGTH.
- LABEL APPROXIMATELY WHERE SHOWN PER AMP 2480.0903.MPI. ADD HARRIS PART # 250-0555-019 TO LABEL INFORMATION.



ITEM NO	DESCRIPTION	QTY
1	PC LABEL	8
1.68	FT CABLE, SPLIT.020	7
3	PC TRANSITION ASSY CONTACT	6
3	PC STRAIN RELIEF	5
3	PC SINGLE CABLE TO CABLE HSG.	4
3	PC TRANSITION CONTACT, RCPT.	3
2	PC STRAIN RELIEF HALVES	2
1	PC 4 DRW HSG PLUG	1
-1	U/M	

THIS DRAWING IS A CONTROLLED DOCUMENT.		DWN J.C.BAKER 15-NOV-00	AMP Incorporated Harrisburg, PA 17105-3608	
DIMENSIONS: mm		CHK L.MAROLF 15-NOV-00	NAME AMPOWER Wave Crimp System CABLE ASSEMBLY	
TOLERANCES UNLESS OTHERWISE SPECIFIED:		APVD L.MAROLF 15-NOV-00	SIZE CAGE CODE DRAWING NO RESTRICTED TO	
0 PLC ±-		PRODUCT SPEC	A2 00779 C- 766465	
1 PLC ±-		APPLICATION SPEC	WEIGHT -	
2 PLC ±-			CUSTOMER DRAWING	
3 PLC ±-			SCALE FULL SHEET 1 OF 1 REV A	
4 PLC ±-				
ANGLES ±-				
FINISH -				