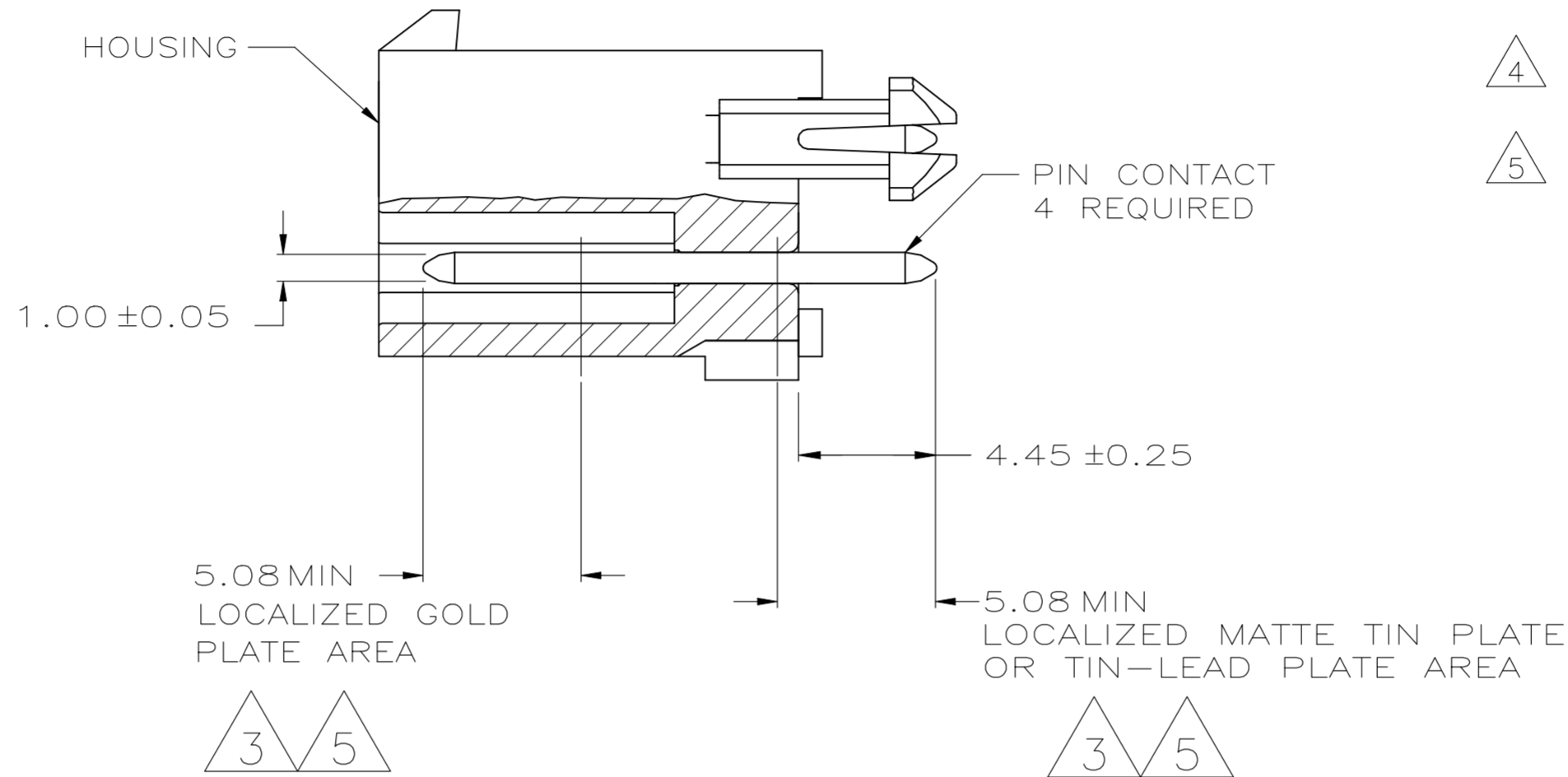
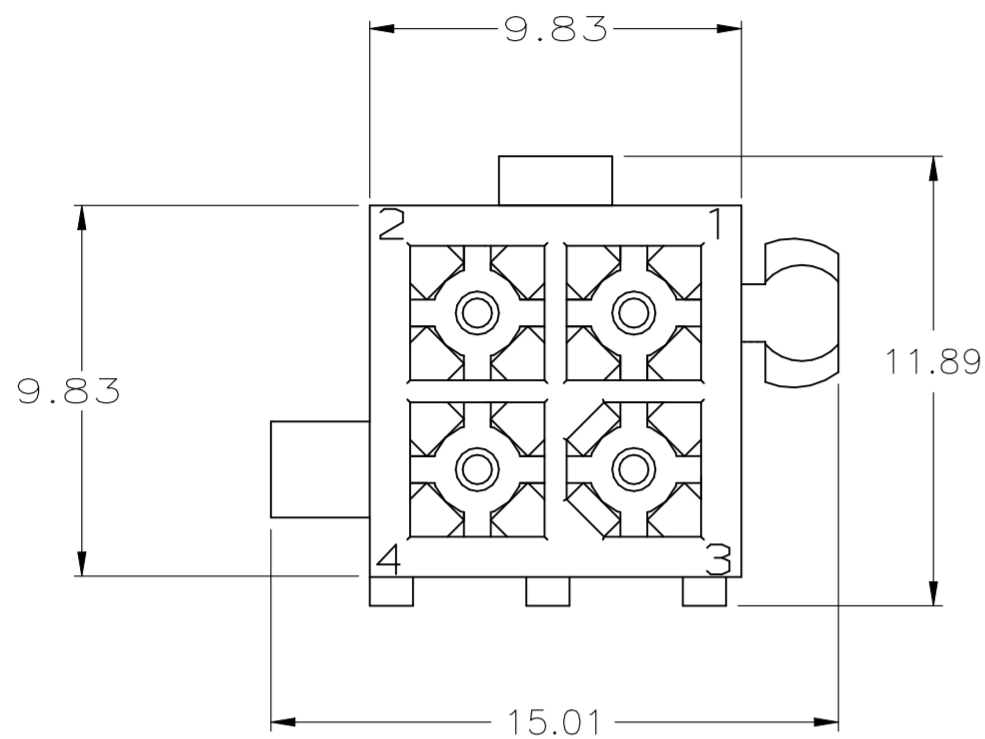
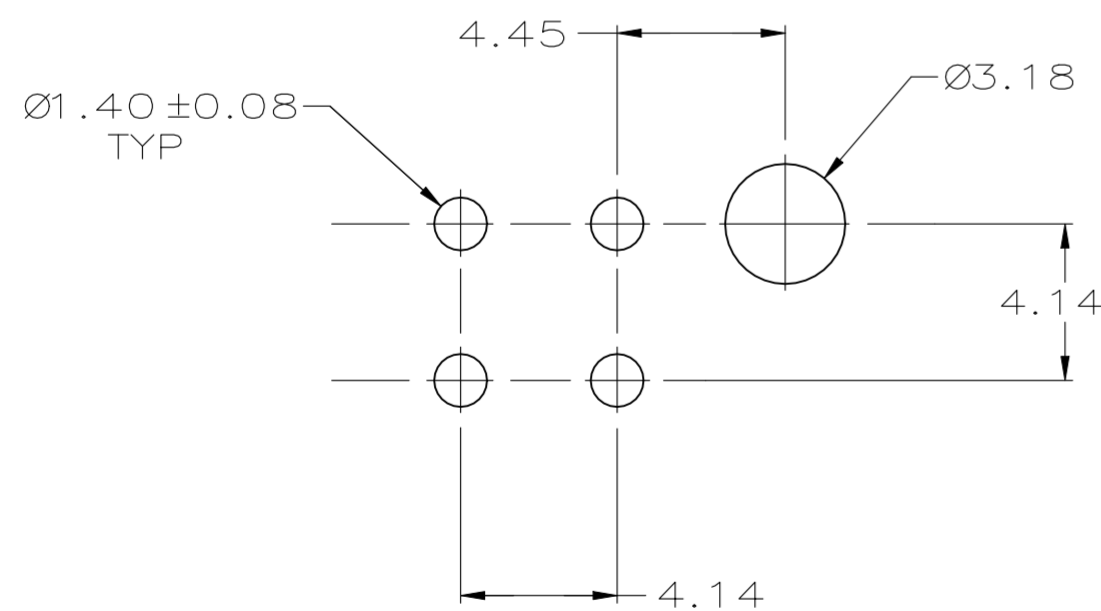


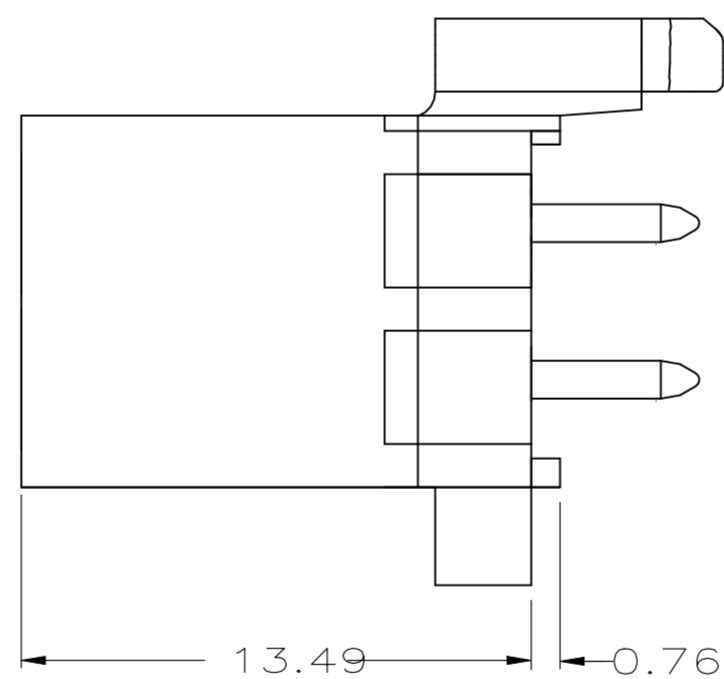
| REVISIONS | | | | | |
|-----------|-----|---------------------------|-----------|-----|------|
| P | LTR | DESCRIPTION | DATE | DWN | APVD |
| M1 | | REVISED PER ECR-24-196907 | 26JUL2024 | MV | JP |



- 1 PINS TO COMPLY WITH AMP SOLDERABILITY SPEC. 109-11-3.
- 2 0.00381 MIN MATTE TIN LEAD PLATE OVER 0.00127 MIN NICKEL.
- 3 0.00076 MIN GOLD PLATE IN THE LOCALIZED PLATE AREA, 0.00381 MATTE TIN LEAD IN THE LOCALIZED NICKEL PLATE AREA, BOTH OVER 0.00127 MIN NICKEL.
- 4 0.00381 MIN MATTE TIN PLATE OVER 0.00127 MIN NICKEL.
- 5 0.00076 MIN GOLD PLATE IN THE LOCALIZED PLATE AREA, 0.00381 MATTE TIN IN THE LOCALIZED NICKEL PLATE AREA, BOTH OVER 0.00127 MIN NICKEL.



RECOMMENDED LAYOUT FOR 1.57 THICK BOARD
TOLERANCES NON-ACCUMULATIVE



| | | | | | |
|---------------------------|-----------------|--------|----------------|-------|------------|
| | BRASS, TIN | 4 | NYLON, UL94V-0 | BLACK | 5-770174-0 |
| | BRASS, GOLD | 5 | NYLON, UL94V-0 | WHITE | 1-770174-1 |
| | BRASS, TIN | 4 | NYLON, UL94V-0 | WHITE | 1-770174-0 |
| SUPERSEDE WITH 1-770174-1 | BRASS, GOLD | 3 | NYLON, UL94V-0 | WHITE | 770174-2 |
| SUPERSEDE WITH 1-770174-0 | BRASS, TIN-LEAD | 2 | NYLON, UL94V-0 | WHITE | 770174-1 |
| | MATERIAL | FINISH | MATERIAL | COLOR | PART NO. |

| | | | | | |
|--|--|-------------------------------|--|--------------------|-------------------------|
| THIS DRAWING IS A CONTROLLED DOCUMENT. | | DWN S CARPENTER 08JUN05 | | | |
| DIMENSIONS: mm | | CHK R JONES 28/JUL2003 | | | |
| TOLERANCES UNLESS OTHERWISE SPECIFIED: | | APVD R JONES 28JUL2003 | NAME | | |
| 0 PLC ± - | | PRODUCT SPEC | HEADER ASSEMBLY, 4 CKT, MINI UNIVERSAL MATE-N-LOK | | |
| 1 PLC ± - | | APPLICATION SPEC | - | | |
| 2 PLC ± 0.13 | | WEIGHT | SIZE A2 | CAGE CODE 00779 | DRAWING NO. C=770174 |
| 3 PLC ± - | | CUSTOMER DRAWING | SCALE 5:1 | SHEET 1 of 1 | REV M1 |
| 4 PLC ± - | | | | | |
| ANGLES ± - | | | | | |
| FINISH | | | | | |