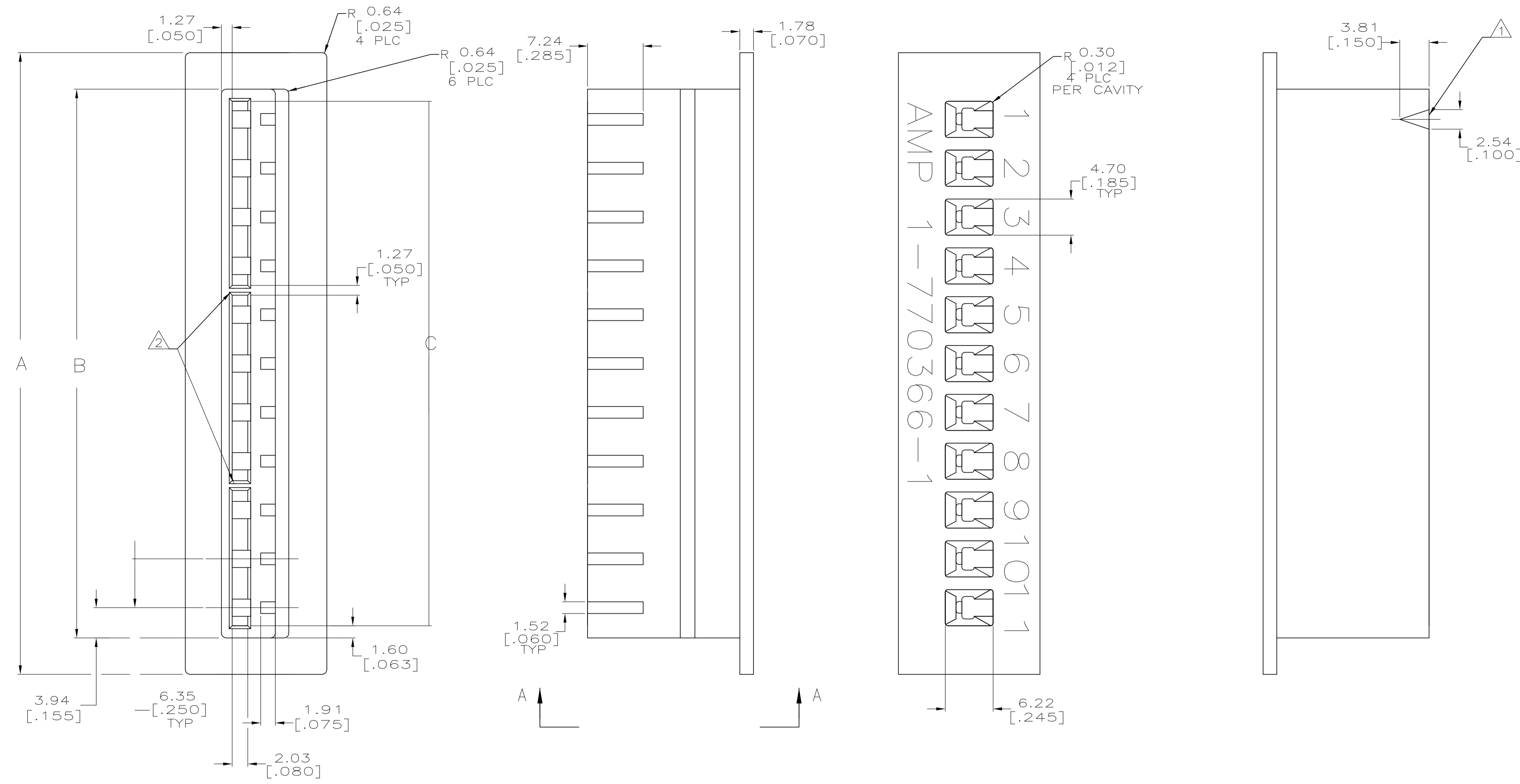
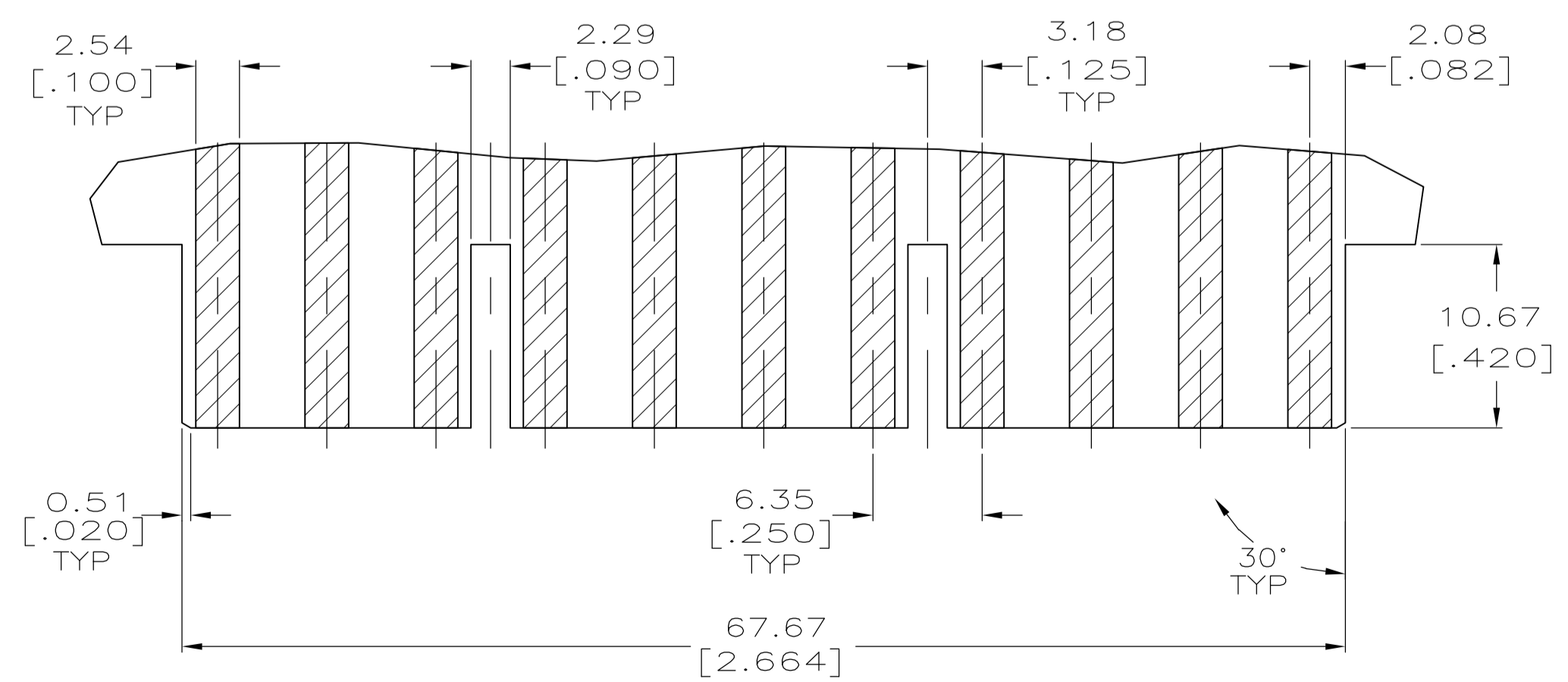
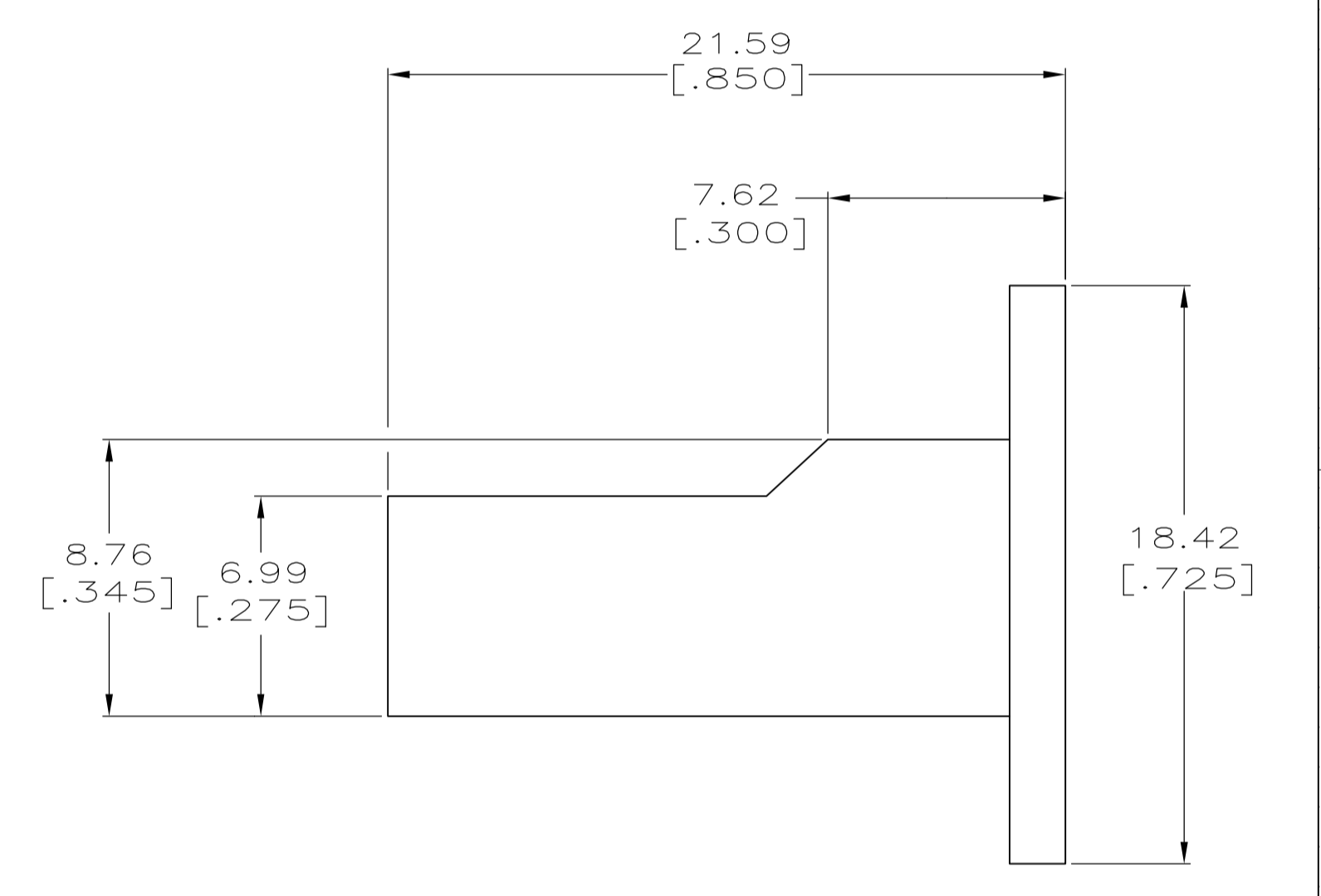


LOC		DIST		REVISIONS			
GP	00	REV	DATE	BY	CHK	APP'D	REV
F		REVISED PER ECO-09-024345	30OCT2009	CR	CR		CR



▲ FROSTED TRIANGLE IDENTIFIES CIRCUIT NO. 1.
 ▲ POLARIZING RIBS ARE LOCATED BETWEEN CIRCUITS 4 AND 5 AND BETWEEN CIRCUITS 8 AND 9.
 3. DIMENSIONS IN BRACKETS ARE IN INCHES.



68.20 [2.685]	71.37 [2.810]	80.85 [3.183]	11	1-770366-1
C		B		A
		NO OF CIRCUITS		PART NO.
THIS DRAWING IS A CONTROLLED DOCUMENT.		DWG: K. SALMON 3-24-92 CHK: R. SWING 3-24-92 APP'D: W. LONG 4-24-92		Tyco Electronics Corporation Harrisburg, PA 17105-3608
DIMENSIONS: mm [INCHES]		TOLERANCES UNLESS OTHERWISE SPECIFIED:		NAME: HOUSING, EDGE CONNECTOR, BIFURCATED LEAF
0 PLC ± -		1 PLC ± -		PRODUCT SPEC: -
2 PLC ± -		3 PLC ± 0.13 [0.005]		APPLICATION SPEC: -
4 PLC ± -		ANGLES ± -		SIZE: A1
MATERIAL: POLYESTER, UL94V-0 NATURAL		FINISH: -		WEIGHT: -
CUSTOMER DRAWING		SCALE: 3:1		SHEET 1 OF 1 REV F