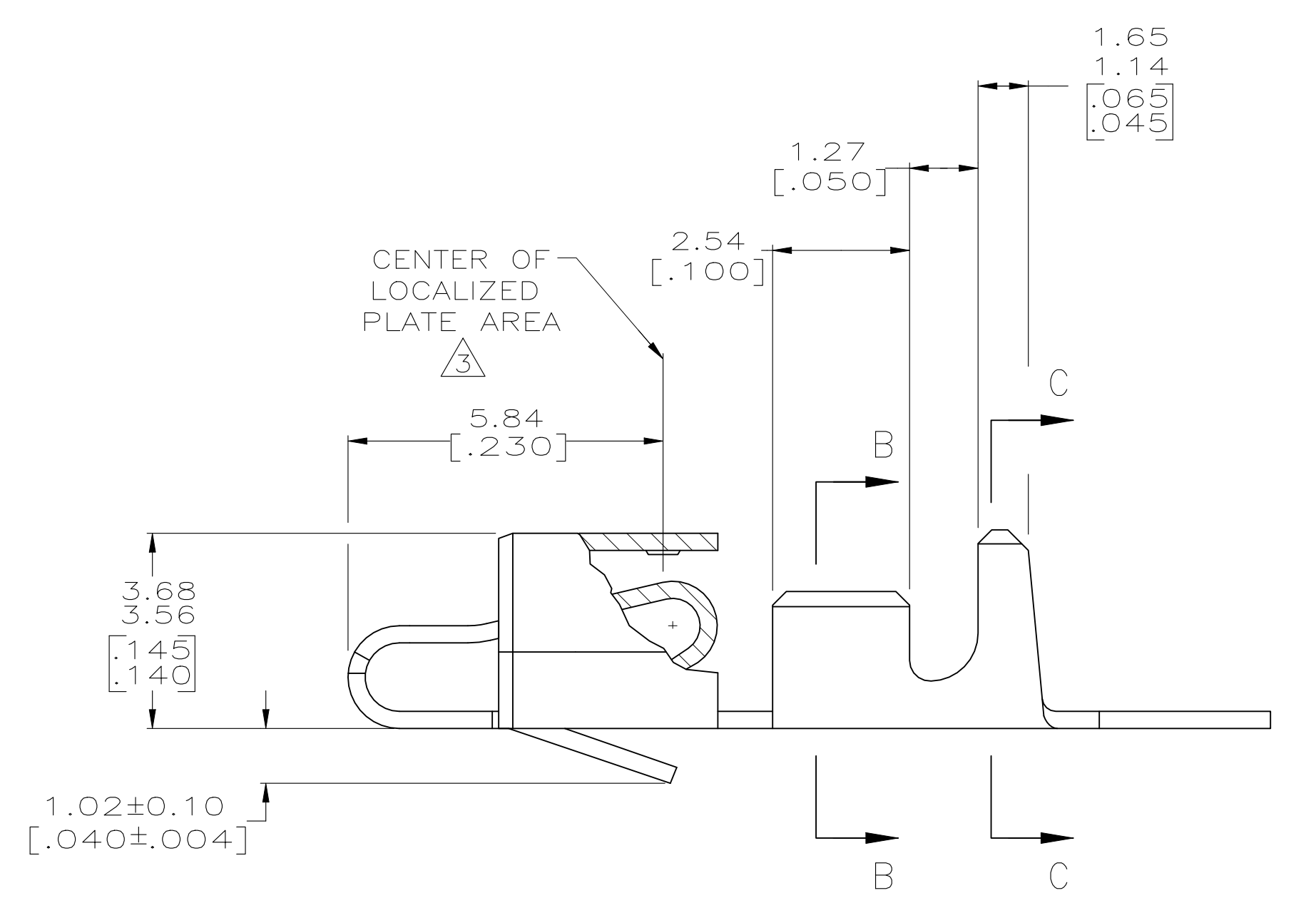
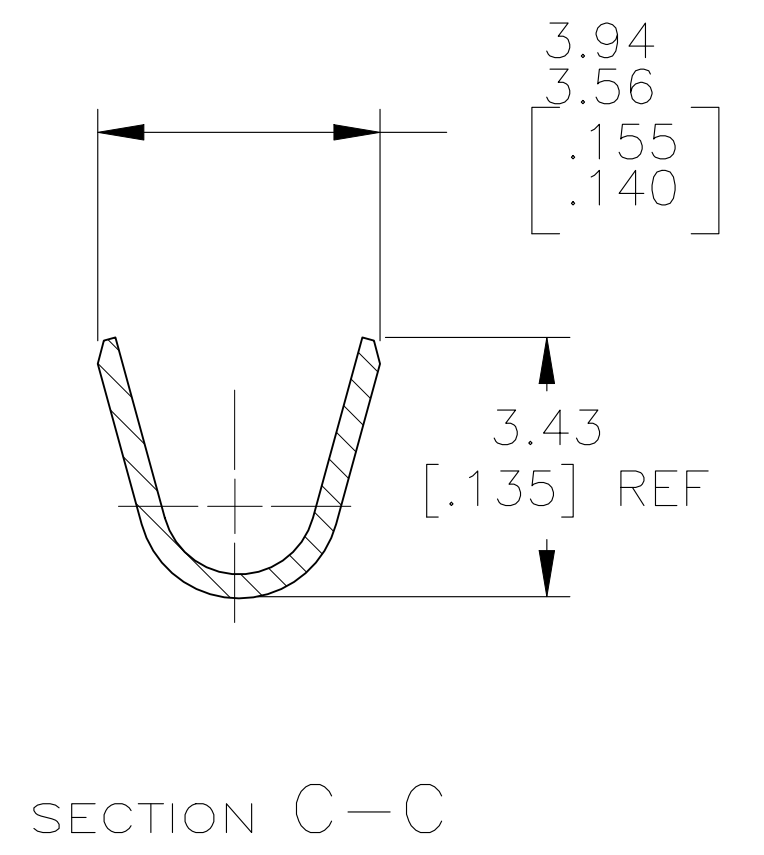
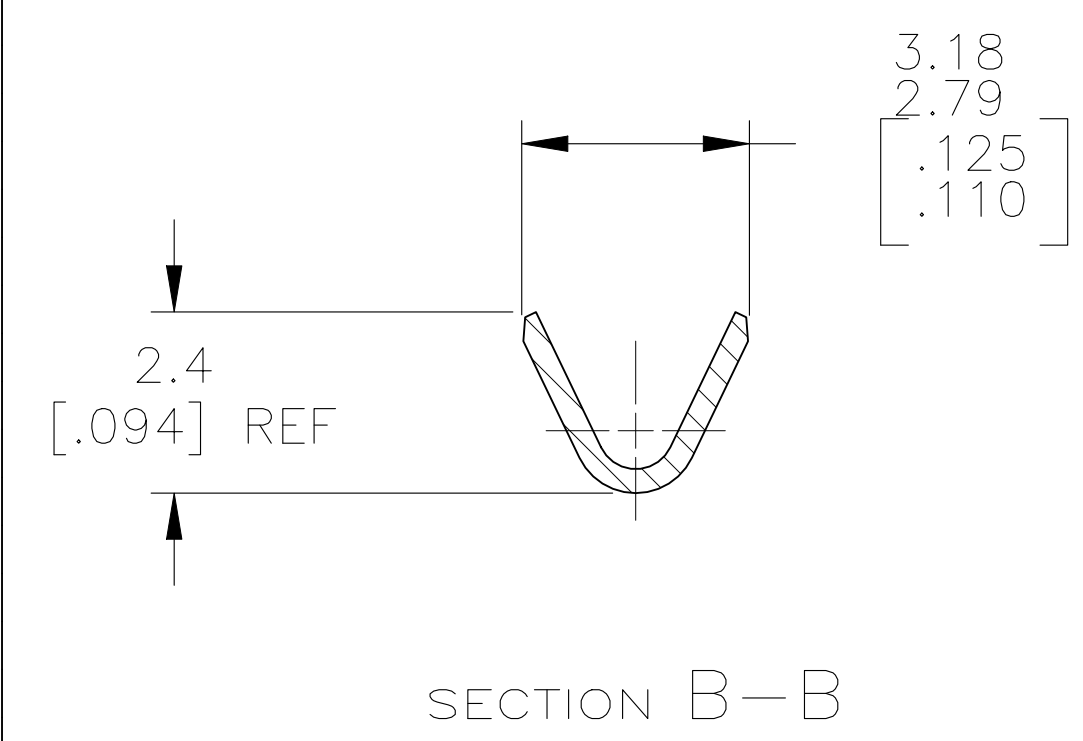
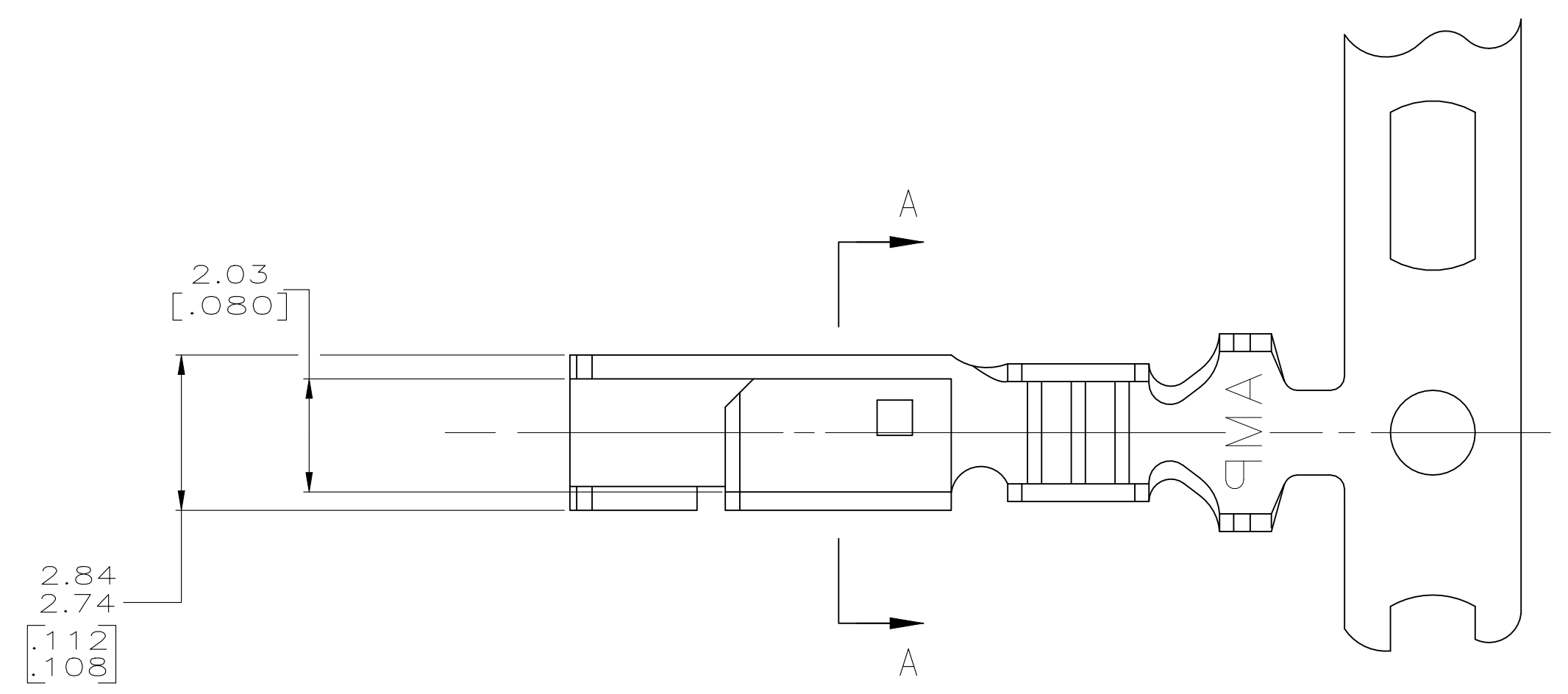
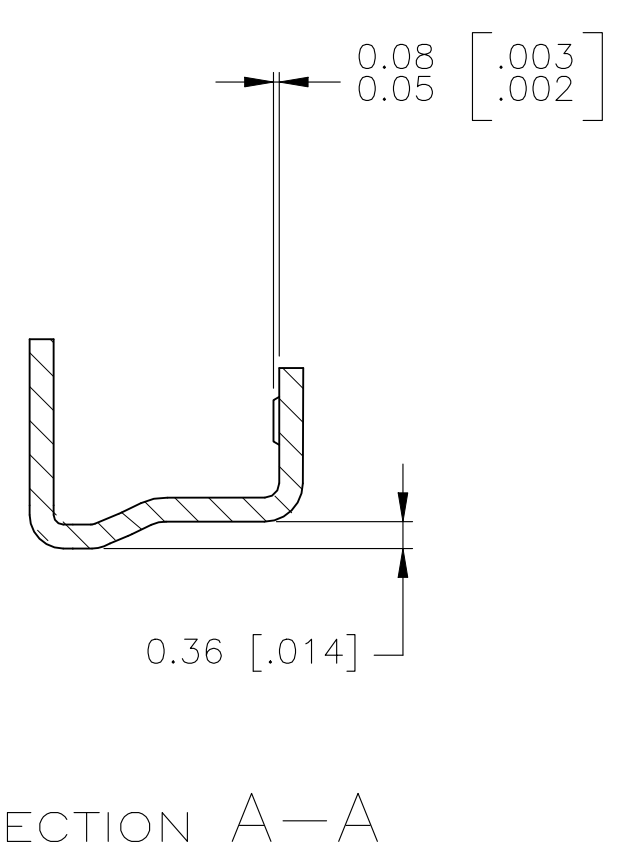


REVISIONS				
REV	DATE	DESCRIPTION	BY	APP'D
L3	21AUG2023	REVISED PER ECR-23-183927	MV	JP



- INSULATION RANGE: 1.09–2.79 [.043–.110]
WIRE RANGE: 0.2–0.9 mm² (24–18) AWG.
- 0.00203 [.000080] MIN BRIGHT TIN-LEAD OVER
0.00127 [.000050] MIN NICKEL.
- 0.00076 [.000030] MIN THICK GOLD STRIPES IN
LOCALIZED PLATE AREA ON BEAM AND DIMPLE OVER
0.00127 [.000050] MIN THICK NICKEL OVER ENTIRE
CONTACT.
- DIMENSIONS IN BRACKETS ARE IN INCHES.
- 0.00203 [.000080] MIN TIN OVER
0.00127 [.000050] MIN NICKEL.

5	PH BRZ	3-770476-1
3	PH BRZ	770476-2
2	PH BRZ	770476-1
FINISH	MATERIAL	PART NO.

THIS DRAWING IS A CONTROLLED DOCUMENT.

DIMENSIONS: mm [INCHES]	TOLERANCES UNLESS OTHERWISE SPECIFIED:	DWG K. WHITAKER	18OCT2004	TE Connectivity Ltd. RECEPTACLE, SL-156
0. PLC ± - 1. PLC ± - 2. PLC ± - 3. PLC ± .005 4. PLC ± - ANGLES ± 0°30'	FINISH	CHK J. ELLIS	NAME	
MATERIAL: - FINISH: -		APVD J. ELLIS	PRODUCT SPEC	RESTRICTED TO
WEIGHT: -		APPLICATION SPEC	SIZE	SCALE 10:1
CUSTOMER DRAWING		WEIGHT	DRAWING NO. A1 00779 C=770476	SHEET 1 of 1
		DATE	REV	L3