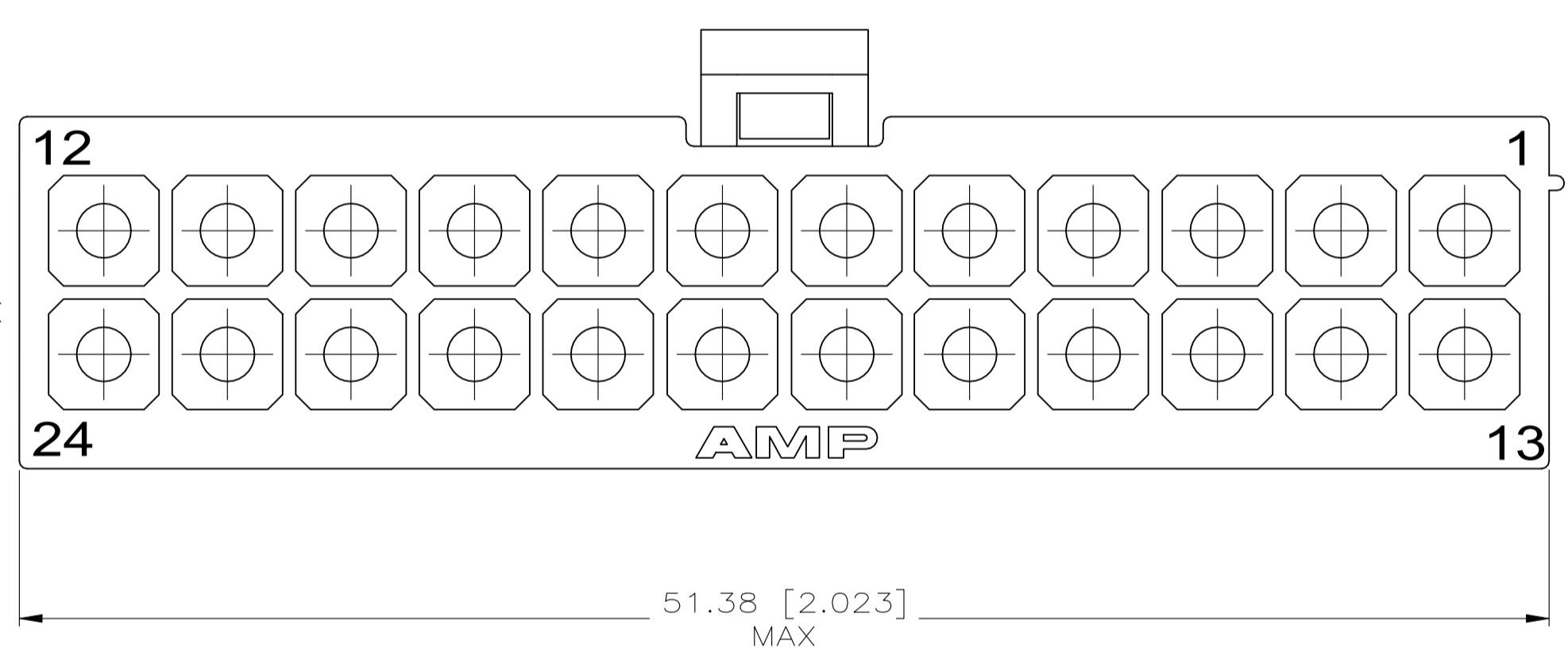
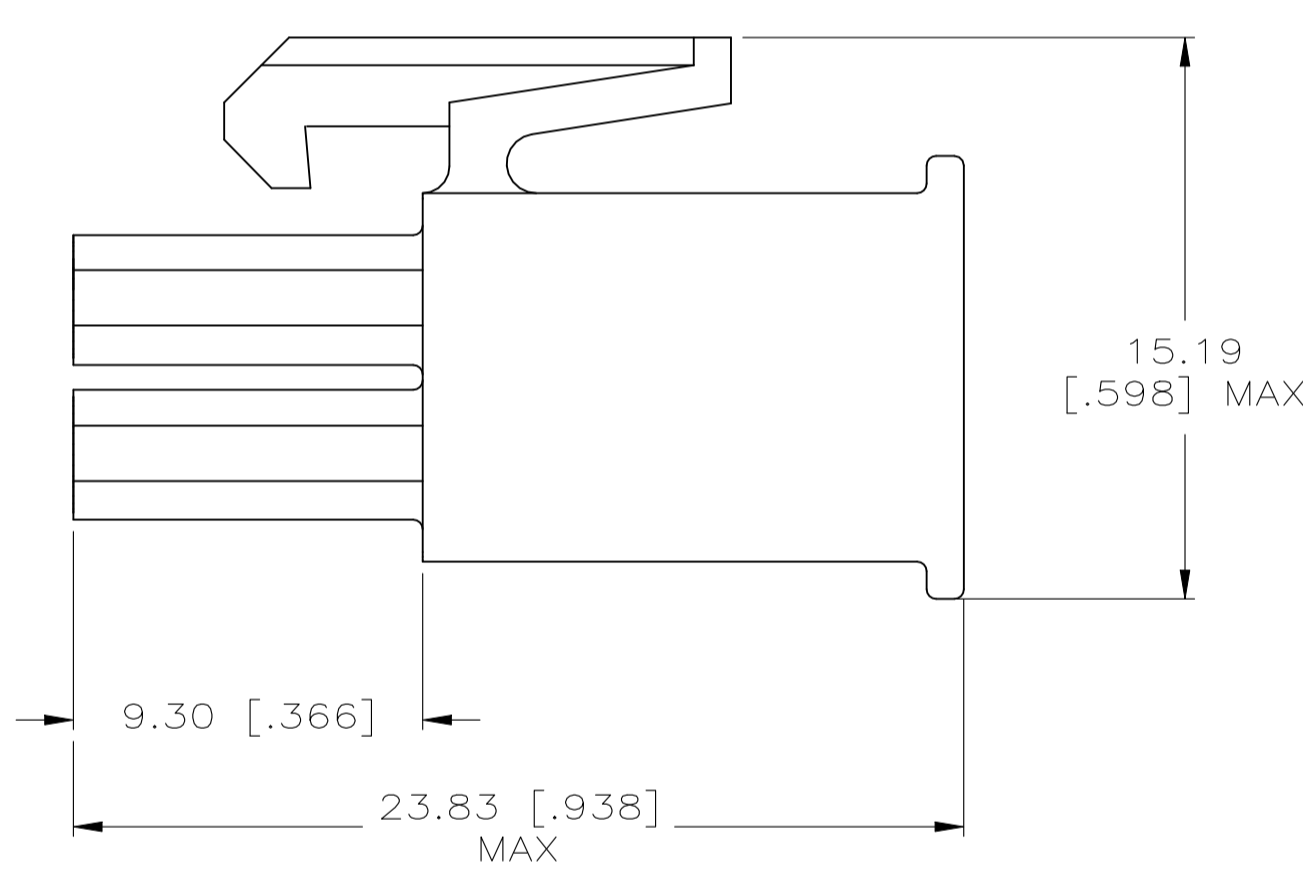
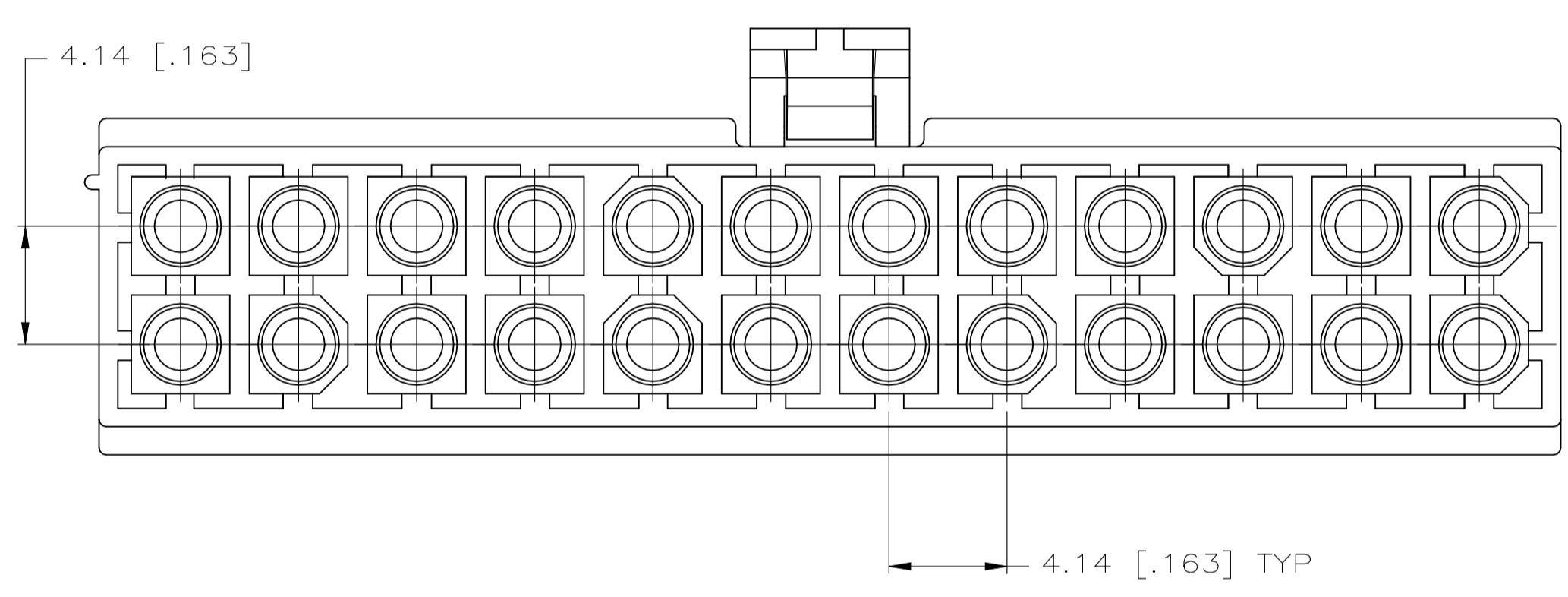
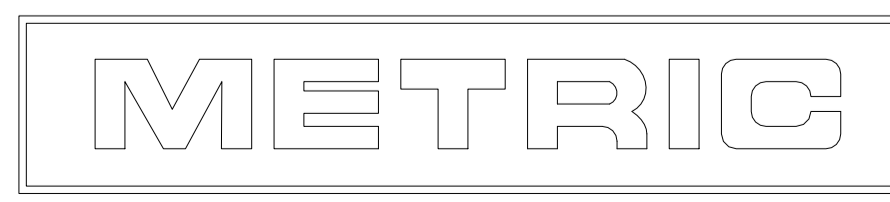


REVISIONS				
REV	BY	DESCRIPTION	DATE	APP'D
K		REVISED PER ECR-24-208943	17MAY2024	DK JP

1. INDIVIDUAL CORING FEATURES AROUND BASES OF SILOS MAY NOT BE PRESENT IN ALL LOCATIONS SHOWN.



770587-1
PART NUMBER



THIS DRAWING IS A CONTROLLED DOCUMENT.		DWN S. HOOPER 12-MAY-2004 DK C. JONES 12-MAY-2004 APVD C. JONES 12-MAY-2004	TE Connectivity	
DIMENSIONS: mm [INCHES]	TOLERANCES UNLESS OTHERWISE SPECIFIED: 0 PLC ± 1 PLC ± 2 PLC ± 3 PLC ± 0.13 [.005] 4 PLC ± ANGLES ± FINISH	NAME PLUG, 24 CIRCUIT, MINI UNIVERSAL MATE-N-LOK™	SIZE A1	CAGE CODE 00779
MATERIAL NYLON, UL 94V-0 WHITE	WEIGHT 0.000000	APPLICATION SPEC CUSTOMER DRAWING	DRAWING NO 770587	RESTRICTED TO SCALE 4:1 SHEET 1 OF 1 REV K