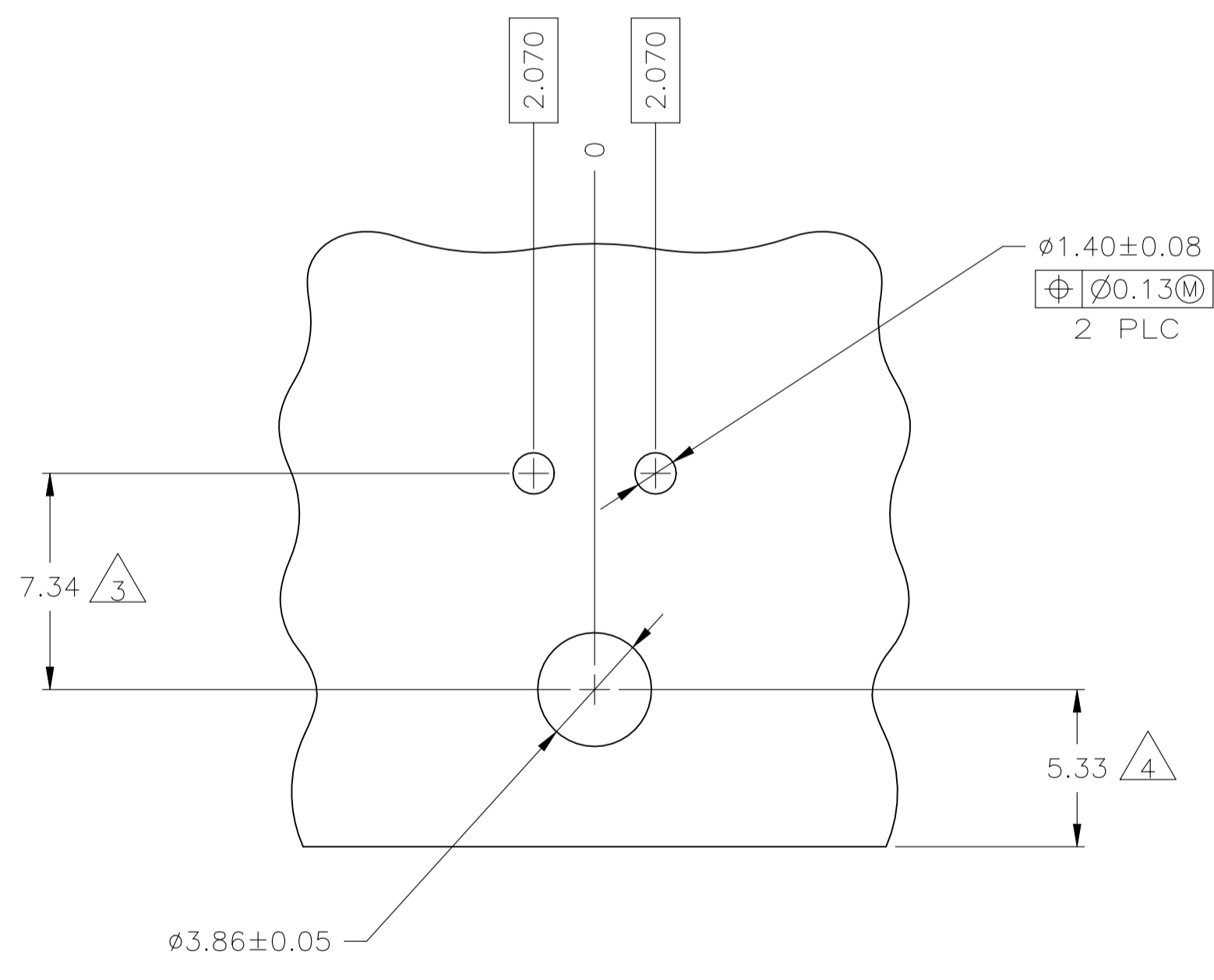
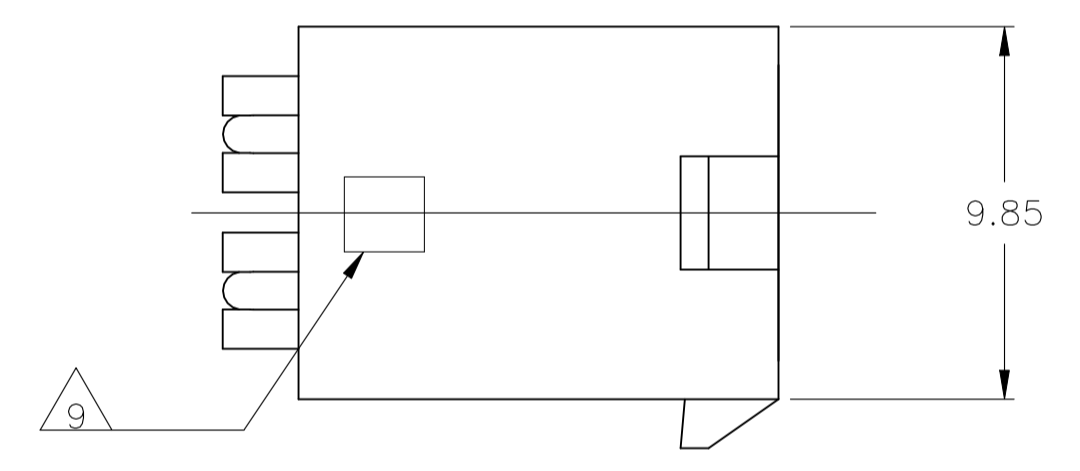
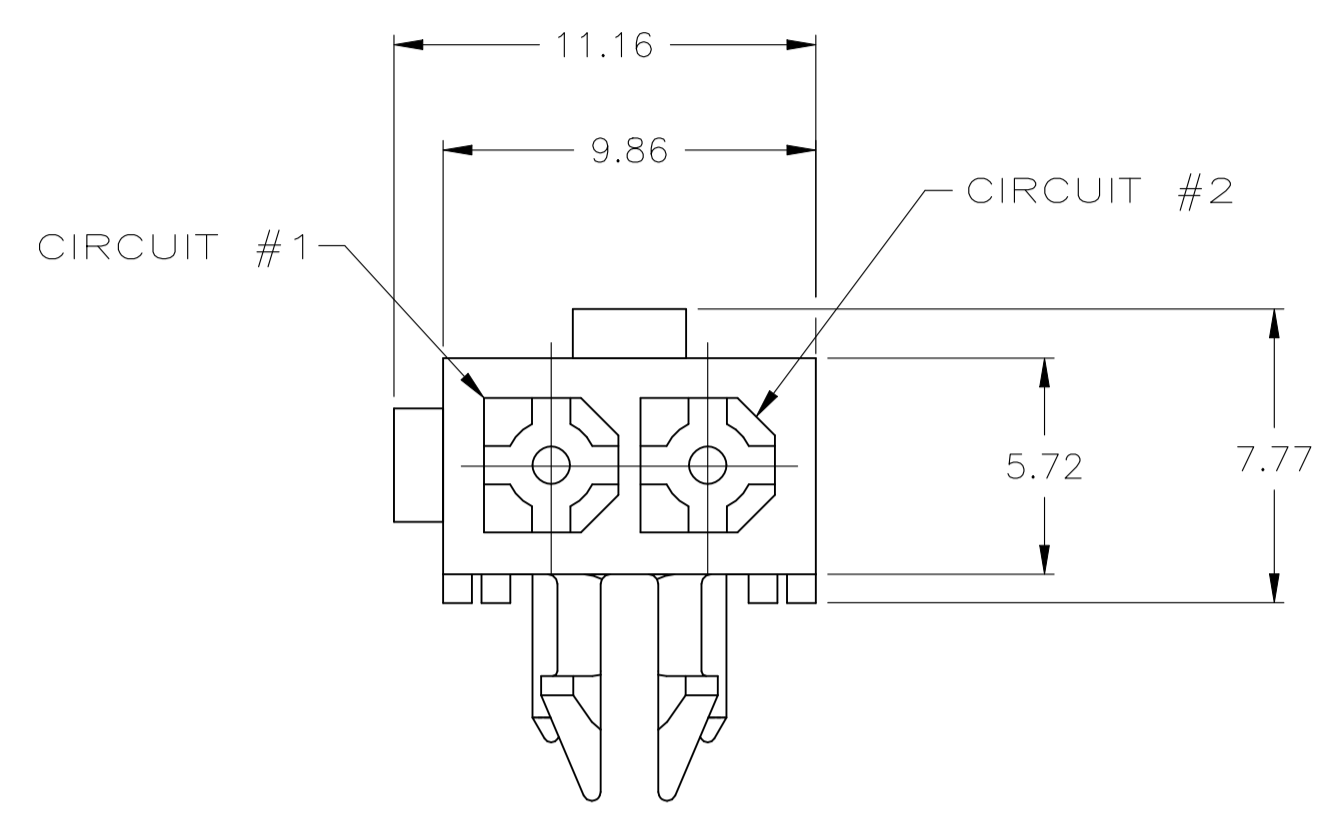
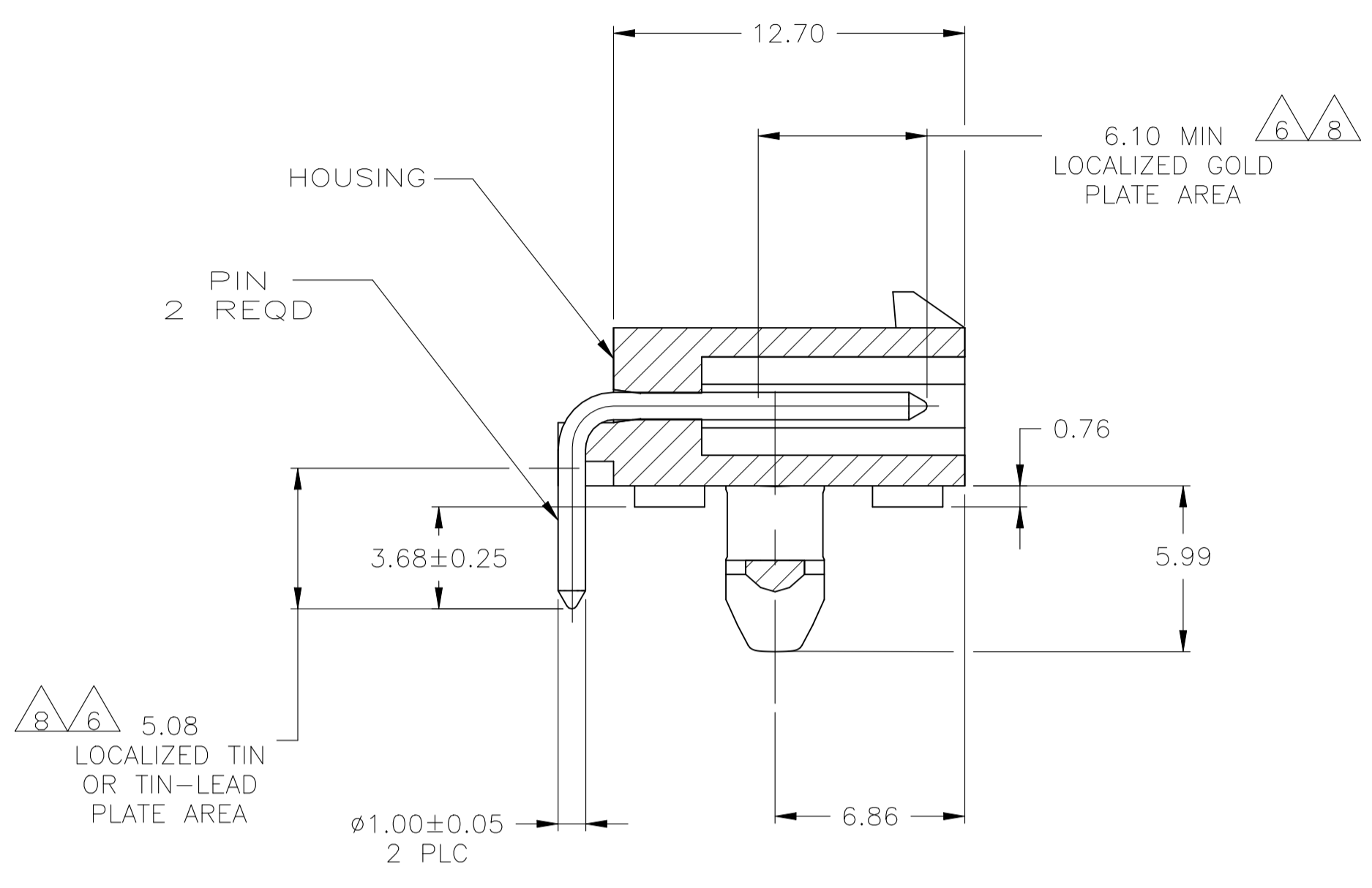


REVISIONS				
REV	DATE	DESCRIPTION	BY	APP'D
G2	14OCT2024	REVISED PER ECR-24-196907	MV	JP



RECOMMENDED MOUNTING HOLE PATTERN FOR 1.57 THICK P.C. BOARD

- PINS TO COMPLY WITH AMP SOLDERABILITY SPEC 109-11-3.
- MATES WITH PLUG P/N 172165-1.
- COORDINATE DIMENSION APPLIES FROM CENTER OF ACTUAL FEATURE.
- RECOMMENDED FOR EDGE MOUNTING.
- 0.00381 MIN MATTE TIN LEAD OVER 0.00127 MIN NICKEL ENTIRE LENGTH OF PIN.
- 0.00076 MIN GOLD PLATE IN THE LOCALIZED PLATE AREA, 0.00381 MIN MATTE TIN LEAD IN THE LOCALIZED PLATE AREA, BOTH OVER 0.00127 MIN NICKEL.
- 0.00381 MIN MATTE TIN OVER 0.00127 MIN NICKEL ENTIRE LENGTH OF PIN.
- 0.00076 MIN GOLD PLATE IN THE LOCALIZED GOLD PLATE AREA, 0.00381 MIN MATTE TIN IN THE LOCALIZED TIN PLATE AREA, BOTH OVER 0.00127 MIN NICKEL.
- CSA CERTIFICATION MARK TO BE APPROXIMATELY LOCATED ON INDICATED AREA, FLAT ON TOP.

MM	IN	MM	IN
2.070	.0815	-	-
1.57	.062	12.70	.500
1.40	.055	9.86	.388
1.00	.039	7.34	.289
0.76	.030	6.86	.270
0.25	.010	6.10	.240
0.13	.005	5.99	.236
0.08	.003	5.72	.225
0.05	.002	5.33	.210
0.00381	0.000150	5.08	.200
0.00127	0.000050	3.86	.152
0.00076	0.000030	3.68	.145

CONVERSION TABLE

BRASS	8	NYLON, UL94V-0	WHITE	1-770966-1
BRASS	7	NYLON, UL94V-0	WHITE	1-770966-0
SUPERSEDE WITH 1-770966-1	6	NYLON, UL94V-0	WHITE	770966-2
SUPERSEDE WITH 1-770966-0	5	NYLON, UL94V-0	WHITE	770966-1
		MATERIAL FINISH	MATERIAL COLOR	PART NO.
		PIN	HOUSING	

THIS DRAWING IS A CONTROLLED DOCUMENT.

DIMENSIONS: mm	TOLERANCES UNLESS OTHERWISE SPECIFIED:	DIN S. CARPENTER 24JUL2003	NAME: HEADER ASSEMBLY, RIGHT ANGLE, WITH SHORT PEG, 2 CIRCUIT, MINI UNIVERSAL MATE-N-LOK(TM)
	0. PLC ± -	CHK: C. JONES 24JUL2003	SIZE: A1
	1. PLC ± -	APP'D: C. JONES 24JUL2003	SCALE: 5:1
	2. PLC ± 0.13	PRODUCT SPEC	SHEET 1 OF 1
	3. PLC ± -	APPLICATION SPEC	REV G2
	4. PLC ± -	RESTRICTED TO	
	ANGLES ± -	WEIGHT	
MATERIAL SEE TABLE	FINISH SEE TABLE	CUSTOMER DRAWING	