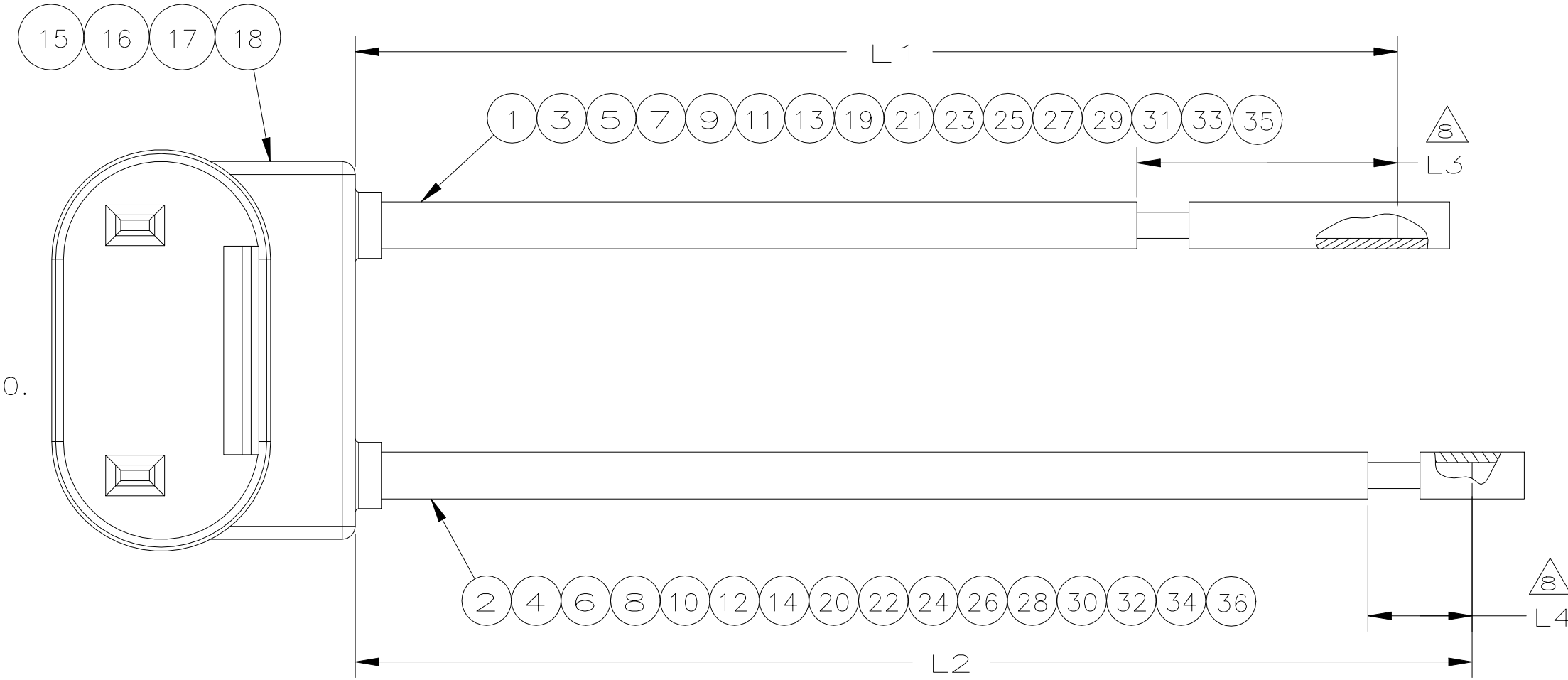


P	LTR	DESCRIPTION	DATE	OWN	APVD
E7	ECN-21-122005		29SEP2021	CN	HN

- 1. OVERMOLD MATERIAL:  
TPE 80 DUROMETER SHORE A
- 2. BLADE MATERIAL: BRASS
- 3. BLADE FINISH: UNPLATED
- 4. 4 DIGIT HOT STAMPED DATE CODE:  
X XX X  
YEAR WEEK DAY

- 5. AMP OR TE LOGO IN THIS SURFACE
- 6. MATERIAL DESIGNATION
- 7. 773119 AS SHOWN
- 8. SEMI STRIP
- 9. ALL WIRES CRIMPED PER SPEC 114-13070.  
INSIDE OVERMOLDED CONNECTOR.



OBSOLETE

ASSEMBLY P/N	COLOR OVERMOLDED	PREPARED WIRES				LENGTH		STRIP LENGTH	
		CABLE P/N	CABLE TYPE	AWG	COLOR	L1 ±5	L2 ±5	L3 ±0.5	L4 ±0.5
773119-1	ORANGE	773746-1	MS-7889	20	GREY	292	-	10.0	-
		773746-2	MS-7889	20	BLUE	-	489	-	4.0
773119-2	GREY	773746-3	MS-7889	20	GREY	222	-	10.0	-
		773746-4	MS-7889	20	RED	-	419	-	4.0
773119-3	GREY	773746-5	MS-7889	20	GREY	260	-	10.0	-
		773746-6	MS-7889	20	RED	-	457	-	4.0
773119-4	BLUE	773746-7	MS-7889	20	GREY	216	-	10.0	-
		773746-8	MS-7889	20	BLUE	-	411	-	4.0
1-773119-1	BLUE	1-773746-3	MS-7889	20	RED/BLK	875	-	10.0	-
1-773119-2	ORANGE	1-773746-4	MS-7889	20	BRN/RED	-	875	-	4.0
		1-773746-5	MS-7889	20	GREY	100	-	10.0	-
1-773119-3	ORANGE	1-773746-6	MS-7889	20	BLUE	-	575	-	4.0
		1-773746-7	MS-7889	20	GREY	575	-	10.0	-
1-773119-4	ORANGE	1-773746-8	MS-7889	20	BLUE	-	100	-	4.0
		1-773746-9	MS-7889	20	GREY	631	-	10.0	-
1-773119-5	ORANGE	2-773746-0	MS-7889	20	BLUE	-	125	-	4.0
		2-773746-1	MS-7889	20	GREY	125	-	10.0	-
1-773119-6	ORANGE	2-773746-2	MS-7889	20	BLUE	-	631	-	4.0
		2-773746-3	MS-7889	20	GREY	631	-	10.0	-
1-773119-7	ORANGE	2-773746-4	MS-7889	20	BLUE	-	149	-	4.0
		2-773746-5	MS-7889	20	GREY	149	-	10.0	-
1-773119-8	BLUE	2-773746-6	MS-7889	20	BLUE	-	631	-	4.0
		2-773746-7	MS-7889	20	RED/BLK	850	-	4.0	-
1-773119-9	ORANGE	2-773746-8	MS-7889	20	BRN/RED	-	850	-	4.0
		2-773746-9	MS-7889	20	LT BLUE	900	-	10.0	-
2-773119-0	ORANGE	3-773746-0	MS-7889	20	YELLOW	-	900	-	4.0
		3-773746-1	MS-7889	20	YELLOW	900	-	10.0	-
2-773119-1	ORANGE	3-773746-2	MS-7889	20	LT BLUE	-	900	-	4.0
		3-773746-3	MS-7889	20	BLUE	600	-	10.0	-
2-773119-2	BLUE	3-773746-4	MS-7889	20	GRAY	-	600	-	4.0
		3-773746-5	MS-7889	20	RED/BLK	675	-	4.0	-
		3-773746-6	MS-7889	20	BRN/RED	-	675	-	4.0

L2	1	-	-	-	-	-	-	-	-	-	-	-	-	-	-	-	PC	3-773746-6	PREPARED BRN/RED WIRE	36
L1	1	-	-	-	-	-	-	-	-	-	-	-	-	-	-	-	PC	3-773746-5	PREPARED RED/BLK WIRE	35
L2	-	1	-	-	-	-	-	-	-	-	-	-	-	-	-	-	PC	3-773746-4	PREPARED GRAY WIRE	34
L1	-	1	-	-	-	-	-	-	-	-	-	-	-	-	-	-	PC	3-773746-3	PREPARED BLUE WIRE	33
L2	-	-	1	-	-	-	-	-	-	-	-	-	-	-	-	-	PC	3-773746-2	PREPARED LT BLUE WIRE	32
L1	-	-	1	-	-	-	-	-	-	-	-	-	-	-	-	-	PC	3-773746-1	PREPARED YELLOW WIRE	31
L2	-	-	-	1	-	-	-	-	-	-	-	-	-	-	-	-	PC	3-773746-0	PREPARED YELLOW WIRE	30
L1	-	-	-	1	-	-	-	-	-	-	-	-	-	-	-	-	PC	2-773746-9	PREPARED LT BLUE WIRE	29
L2	-	-	-	-	1	-	-	-	-	-	-	-	-	-	-	-	PC	2-773746-8	PREPARED BRN/RED WIRE	28
L1	-	-	-	-	1	-	-	-	-	-	-	-	-	-	-	-	PC	2-773746-7	PREPARED RED/BLK WIRE	27
L2	-	-	-	-	-	1	-	-	-	-	-	-	-	-	-	-	PC	2-773746-6	PREPARED BLU WIRE	26
L1	-	-	-	-	-	-	1	-	-	-	-	-	-	-	-	-	PC	2-773746-5	PREPARED GRAY WIRE	25
L2	-	-	-	-	-	-	-	1	-	-	-	-	-	-	-	-	PC	2-773746-4	PREPARED BLU WIRE	24
L1	-	-	-	-	-	-	-	-	1	-	-	-	-	-	-	-	PC	2-773746-3	PREPARED GRAY WIRE	23
L2	-	-	-	-	-	-	-	-	-	1	-	-	-	-	-	-	PC	2-773746-2	PREPARED BLU WIRE	22
L1	-	-	-	-	-	-	-	-	-	-	1	-	-	-	-	-	PC	2-773746-1	PREPARED GRAY WIRE	21
L2	-	-	-	-	-	-	-	-	-	-	-	1	-	-	-	-	PC	2-773746-0	PREPARED BLU WIRE	20
L1	-	-	-	-	-	-	-	-	-	-	-	-	1	-	-	-	PC	1-773746-9	PREPARED GRAY WIRE	19
		0.0004	0.0004	0.0004	-	0.0004	0.0004	0.0004	0.0004	0.0004	0.0004	-	-	-	0.0004	Kg	705080-3	90VfV-176 COLORANT ORANGE	18	
																	Kg	708050-2	70VfV-892 COLORANT GREY	17
	0.0004	-	-	-	0.0004	-	-	-	-	-	-	0.0004	0.0004	-	-	-	Kg	705080-1	40VfV-865 COLORANT BLUE	16
	0.0025	0.0025	0.0025	0.0025	0.0025	0.0025	0.0025	0.0025	0.0025	0.0025	0.0025	0.0025	0.0025	0.0025	0.0025	-	Kg	704233-4	ALCRYN 2080NC, NATURAL	15
L2	-	-	-	-	-	-	-	-	-	1	-	-	-	-	-	-	PC	1-773746-8	PREPARED BLU WIRE	14
L1	-	-	-	-	-	-	-	-	-	-	1	-	-	-	-	-	PC	1-773746-7	PREPARED GRAY WIRE	13
L2	-	-	-	-	-	-	-	-	-	-	-	1	-	-	-	-	PC	1-773746-6	PREPARED BLU WIRE	12
L1	-	-	-	-	-	-	-	-	-	-	-	-	1	-	-	-	PC	1-773746-5	PREPARED GRAY WIRE	11
L2	-	-	-	-	-	-	-	-	-	-	-	-	-	1	-	-	PC	1-773746-4	PREPARED BRN/RED WIRE	10
L1	-	-	-	-	-	-	-	-	-	-	-	-	-	-	1	-	PC	1-773746-3	PREPARED RED/BLK WIRE	9
L2	-	-	-	-	-	-	-	-	-	-	-	-	-	-	-	1	PC	773746-8	PREPARED BLU WIRE	8
L1	-	-	-	-	-	-	-	-	-	-	-	-	-	-	-	-	PC	773746-7	PREPARED GRAY WIRE	7
L2	-	-	-	-	-	-	-	-	-	-	-	-	-	-	-	-	PC	773746-6	PREPARED RED WIRE	6
L1	-	-	-	-	-	-	-	-	-	-	-	-	-	-	-	-	PC	773746-5	PREPARED GRAY WIRE	5
L2	-	-	-	-	-	-	-	-	-	-	-	-	-	-	-	-	PC	773746-4	PERPARED RED WIRE	4
L1	-	-	-	-	-	-	-	-	-	-	-	-	-	-	-	-	PC	773746-3	PREPARED GRAY WIRE	3
L2	-	-	-	-	-	-	-	-	-	-	-	-	-	-	-	-	PC	773746-2	PREPARED BLU WIRE	2
L1	-	-	-	-	-	-	-	-	-	-	-	-	-	-	-	-	PC	773746-1	PREPARED GRAY WIRE	1
	2--2A	2--1A	2--0A	1--9A	1--8A	1--7A	1--6A	1--5A	1--4A	1--3A	1--2A	1--1A	-7A	-3A	-2A	-1A	PC	773119	OVERMOLDED SUB-ASSY	-

THIS DRAWING IS A CONTROLLED DOCUMENT. **STE** TE Connectivity Ltd.

APVD: K. PETERSON

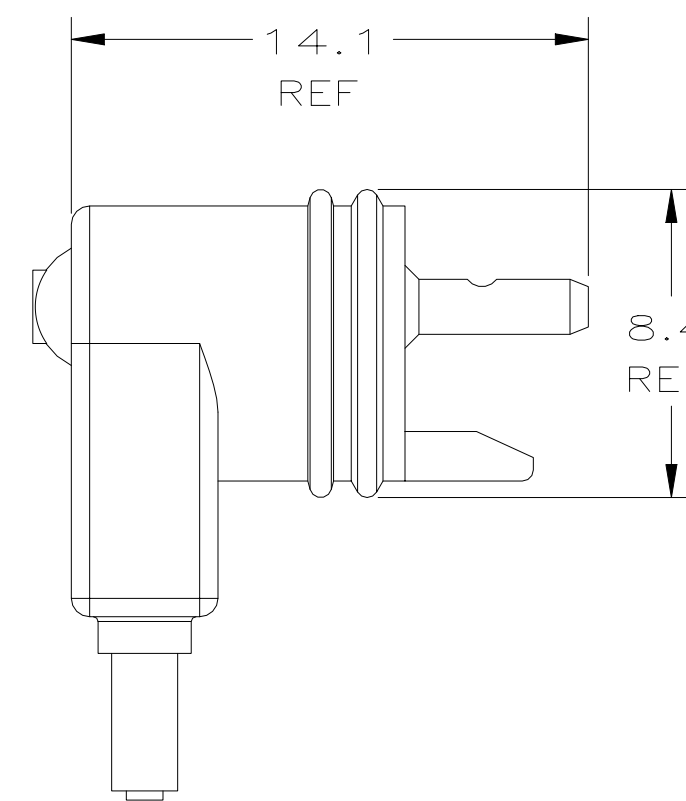
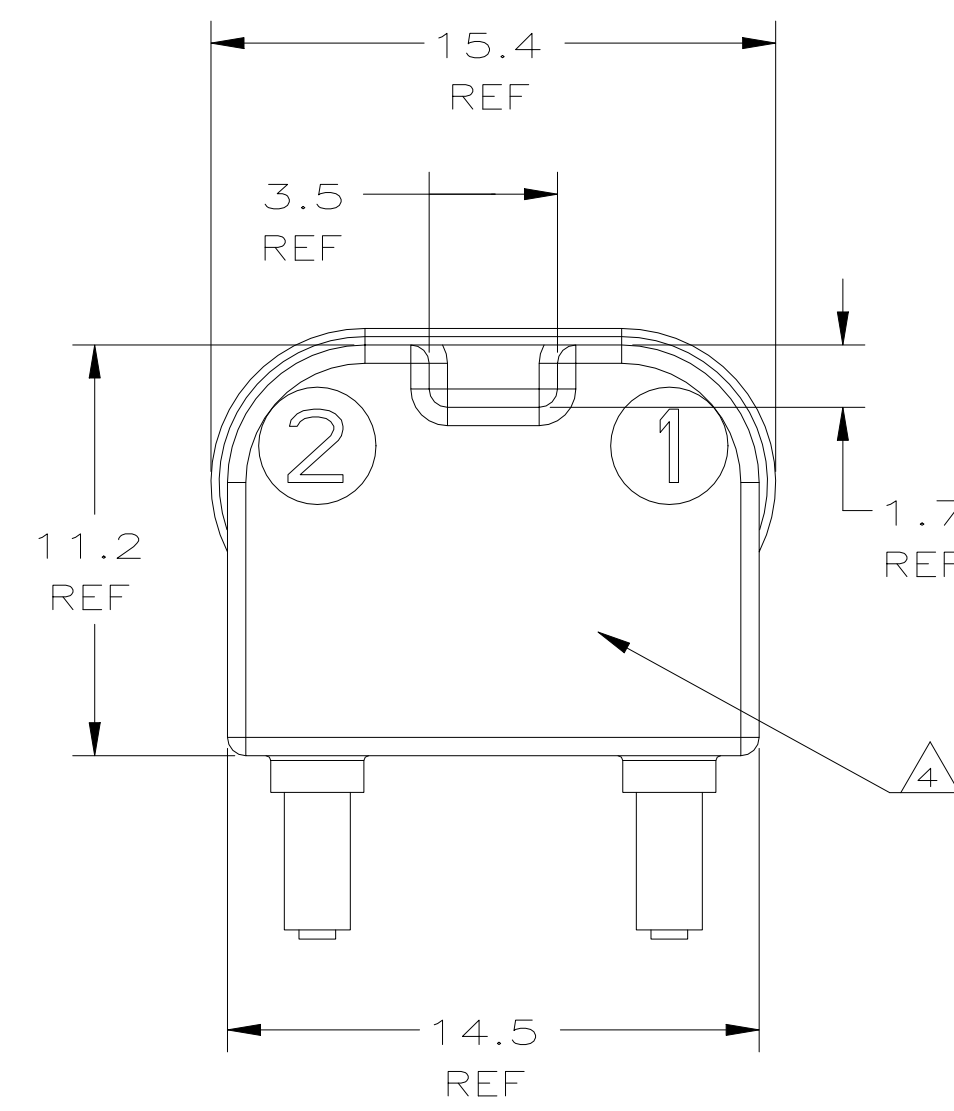
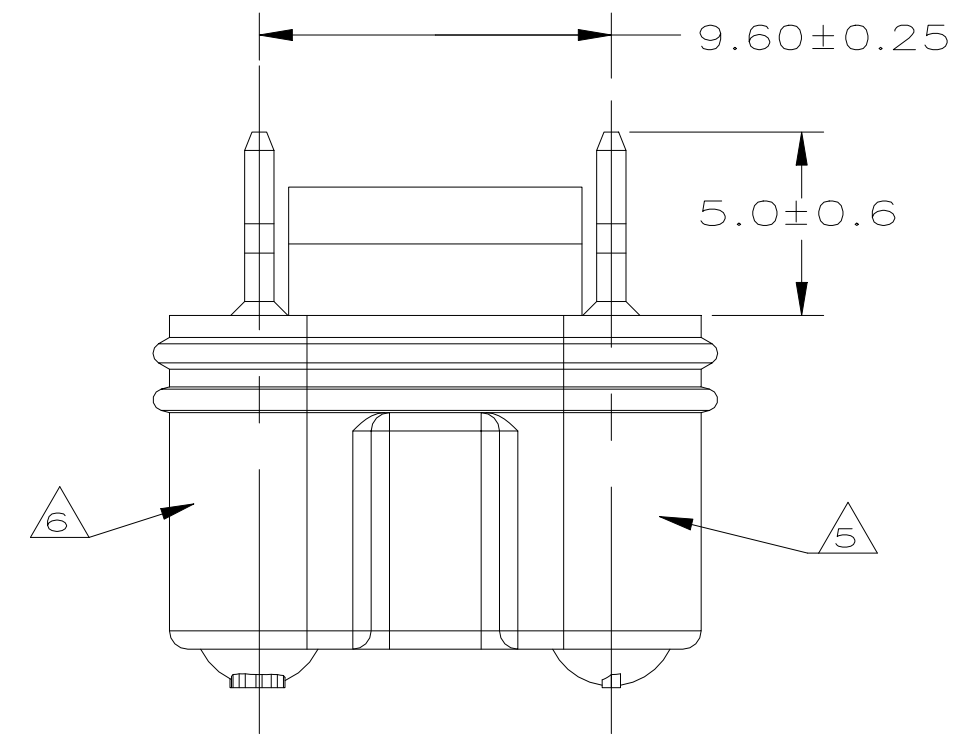
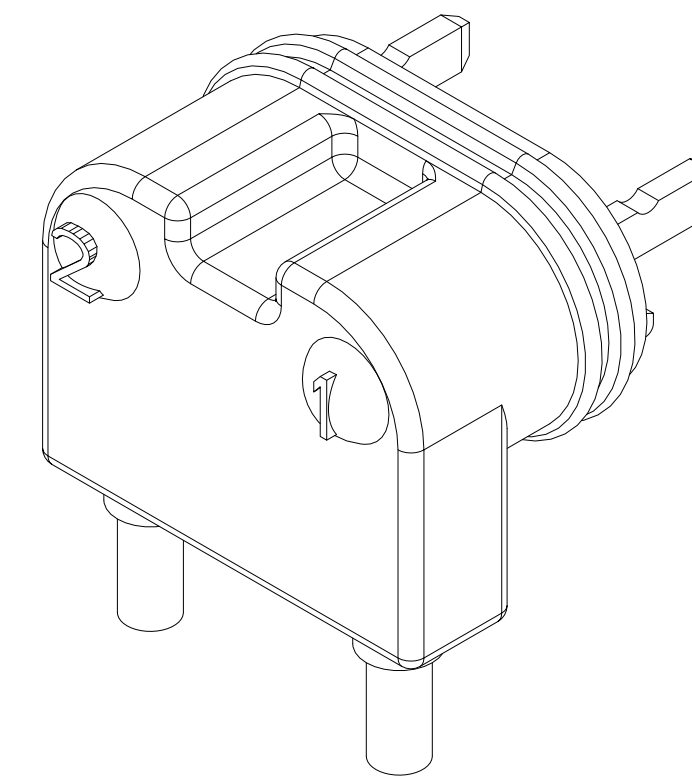
DATE: 08NOV2001

DESCRIPTION: OVERMOLDED 2P ASSEMBLY

SIZE: A1 CAGE CODE: 00779 ©=773119

SCALE: NTS SHEET 1 OF 2 REV E7

REVISIONS				
P	LTR	DESCRIPTION	DATE	OWN
-	-	SEE SHEET 1	-	-



THIS DRAWING IS A CONTROLLED DOCUMENT.		OWN K. PETERSON	08NOV2001	<b>STE</b> TE Connectivity Ltd.
DIMENSIONS:		DRW HB	08NOV2001	
mm	TOLERANCES UNLESS OTHERWISE SPECIFIED:	APVD HB	08NOV2001	NAME
0 PLC	± -	PRODUCT SPEC		OVERMOLDED 2P ASSEMBLY
1 PLC	± 0.2	APPLICATION SPEC		-
2 PLC	± 0.1	WEIGHT		-
3 PLC	± -	CUSTOMER DRAWING		-
4 PLC	± -	SCALE	NTS	SHEET 2 OF 2
ANGLES	± 1	RESTRICTED TO		REV E7
FINISH	-	SIZE	A1	CAGE CODE
MATERIAL	-	DRAWING NO	00779	©=773119