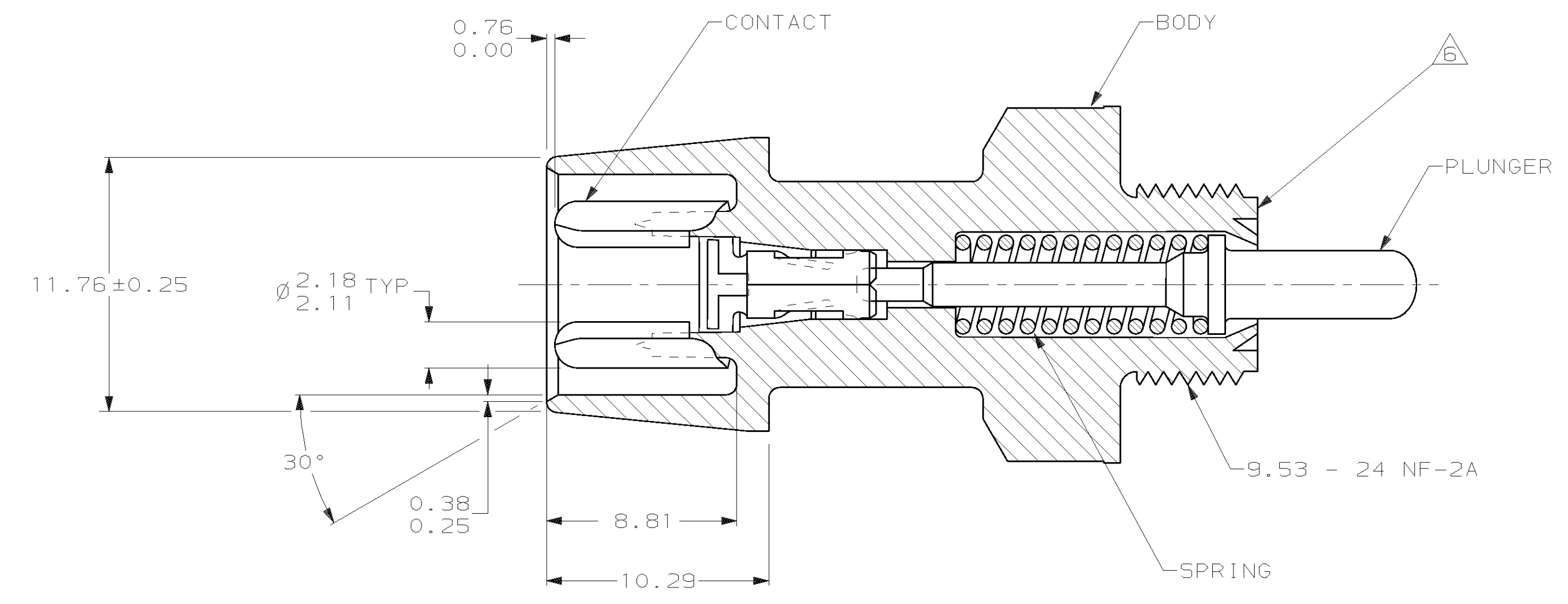
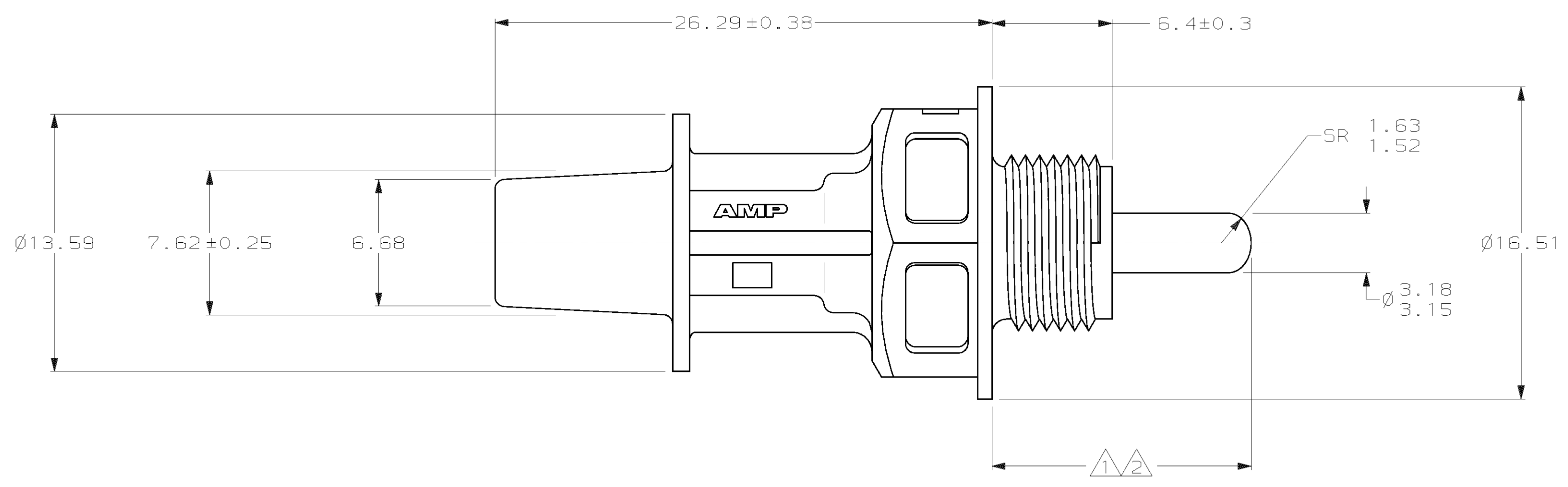
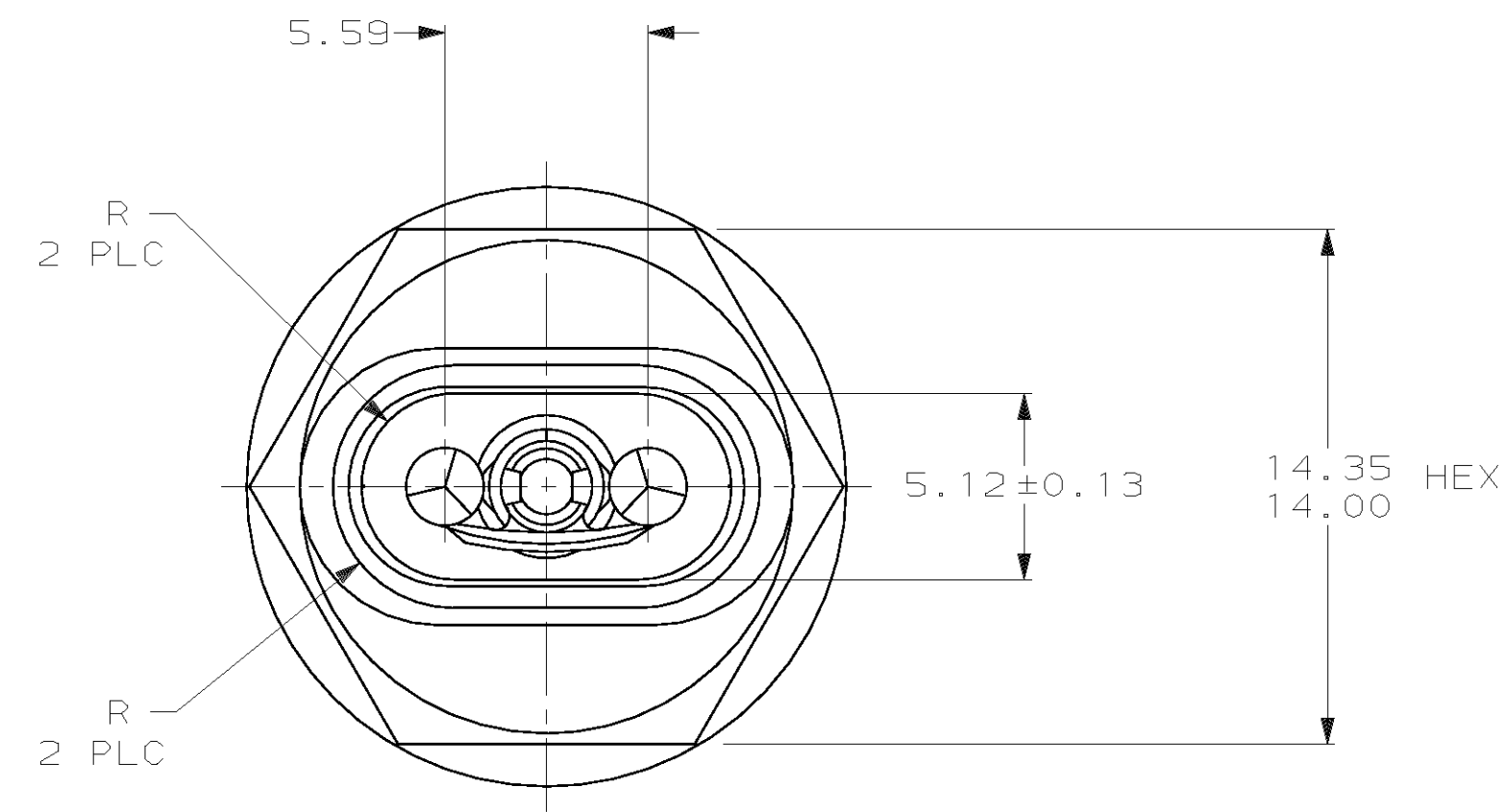


LOC		DIST		P		F		ZONE		LTR		REVISIONS			
CM	51											DESCRIPTION	DATE	APPD	
												J	REV PER EC OK40-0067-96	12-17-96	JH RS

CONVERSION TABLE					
MM	IN	MM	IN	MM	IN
0.00	.000	5.12	.202	12.32	.485
0.13	.005	5.59	.220	12.73	.501
0.25	.010	6.4	.25	12.80	.504
0.3	.01	6.68	.263	13.26	.522
0.38	.015	7.62	.300	13.46	.530
0.76	.030	8.81	.347	13.59	.535
1.52	.060	8.94	.352	13.97	.550
1.63	.064	9.53	.375	14.00	.551
2.11	.083	10.29	.405	14.35	.565
2.18	.086	11.30	.445	16.51	.650
3.15	.124	11.76	.463	26.29	1.035
3.18	.125	12.29	.484	-	-



- 1 PLUNGER POSITION HEIGHT:
 MAXIMUM SOLID - 11.30
 FREE - 13.46 - 13.97
 ELECTRICAL CONTACT - 12.29 - 12.80
- 2 PLUNGER LOAD AT 13.26 TO BE 11 TO 18 N,
 [2.5 TO 4.0 LBS].
- 3 PLUNGER LOAD AT 13.26 TO BE 11 TO 16 N, [2.5 TO 3.5 LBS].
- 4 PLUNGER LOAD AT 13.26 TO BE 23 TO 29 N, [5.1 TO 6.6 LBS].
- 5 PLUNGER LOAD AT 13.26 TO BE 7 TO 9 N, [1.5 TO 2.1 LBS].
- 6 STAMP 3-DIGIT DATE CODE ON THE PLUNGER END AS INDICATED. DATE CODE TO CONSIST OF (M IF ASSEMBLED IN MEXICO) LAST DIGIT OF THE YEAR, FOLLOWED BY TWO DIGITS REPRESENTING THE WEEK, FOLLOWED BY THE DASH NUMBER. THE NUMBERS SHALL READ CLOCKWISE.
- 7 PLUNGER POSITION HEIGHT:
 MAXIMUM SOLID - 11.30
 FREE - 13.46 - 13.97
 ELECTRICAL CONTACT - 12.32 - 12.73



SUPERSEDED BY 776033-7

1	3	STAINLESS STEEL	BRASS, PRE-TIN PLATING	BRASS, TIN PLATING	NYLON, NATURAL	776033-7
1	5	STAINLESS STEEL	BRASS, PRE-TIN PLATING	BRASS, NICKEL PLATING	NYLON, NATURAL	776033-6
1	5	STAINLESS STEEL	BRASS, PRE-TIN PLATING	BRASS	NYLON, NATURAL	776033-5
7	4	STAINLESS STEEL	BRASS, PRE-TIN PLATING	BRASS	NYLON, NATURAL	776033-4
1	3	STAINLESS STEEL	BRASS, PRE-TIN PLATING	BRASS, CADMIUM PLATING	NYLON, NATURAL	776033-3
1	2	STAINLESS STEEL	BRASS, PRE-TIN PLATING	BRASS	NYLON, NATURAL	776033-2
1	2	STAINLESS STEEL	BRASS, PRE-TIN PLATING	BRASS, NICKEL PLATING	NYLON, NATURAL	776033-1
PLUNGER POSITION	PLUNGER LOAD	SPRING	CONTACT	PLUNGER	BODY	PART NO

DO NOT SCALE PRINT. UNLESS SPECIFIED DIMENSIONS IN mm [INCHES] TOLERANCES ON: 2 PLC DEC ± 0.13 3 PLC DEC ± - ANGLES ± -	DR 9-21-92 T. BECK CHK 9-21-92 R. SWING APPD 9-23-92 M. SHORE APPD 9-23-92 M. SHORE
MATERIAL SEE TABLE	PRODUCT SPEC -
FINISH SEE TABLE	APPLICATION SPEC -
WEIGHT -	

AMP AMP Incorporated Harrisburg, PA 17105-3608		
NAME ASSEMBLY, BRAKE SWITCH		
SIZE D	CAGE CODE 00779	DRAWING NO 776033
SCALE 5:1	SHEET 1 OF 1	

