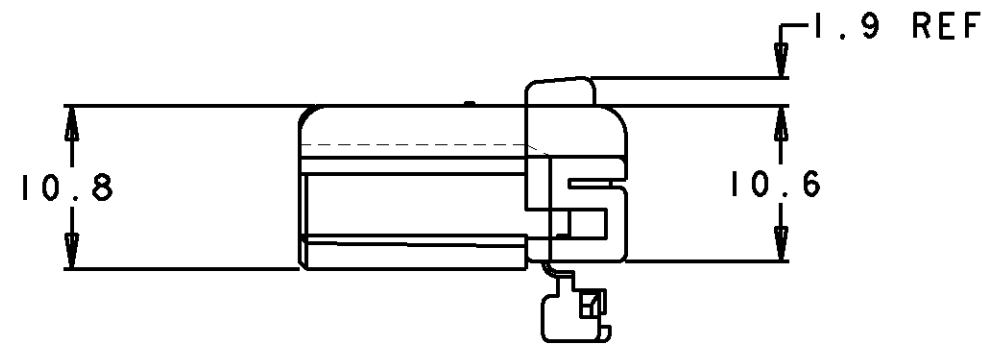
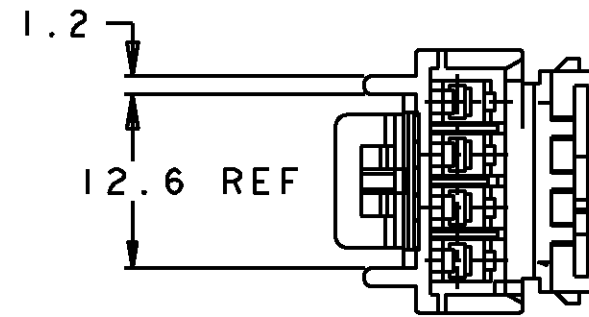
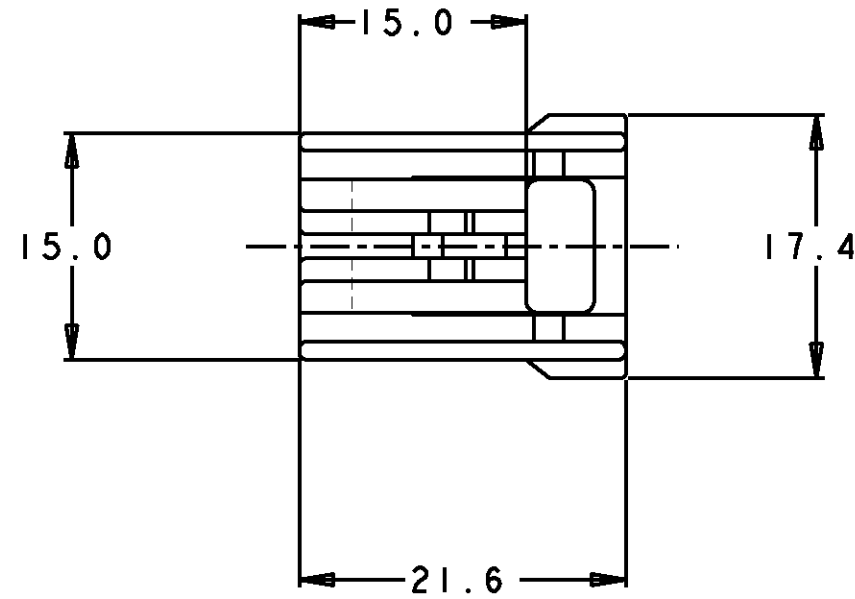
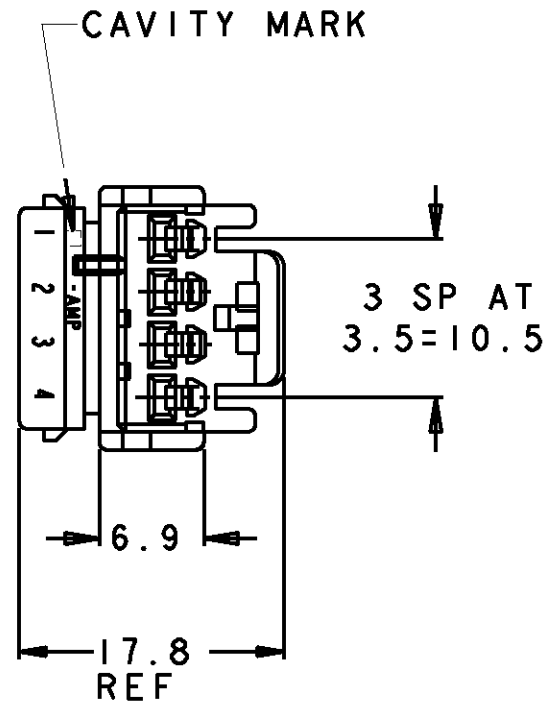


THIS DRAWING IS UNPUBLISHED. RELEASED FOR PUBLICATION 20

© COPYRIGHT 20 BY TYCO ELECTRONICS CORPORATION. ALL RIGHTS RESERVED.

LOC	DIST	REVISIONS			
P	LTR	DESCRIPTION	DATE	DWN	APVD
FX	55				
	B	REVISED PER ECR-06-007215	12MAY2006	DLD	SSA
	C	REVISED PER ECO-09-003298	10FEB2009	DLD	MHB



BLACK	776066-1
COLOR	PART NUMBER

<small>THIS DRAWING IS A CONTROLLED DOCUMENT FOR TYCO ELECTRONICS CORPORATION. IT IS SUBJECT TO CHANGE AND THE CONTROLLING ENGINEERING ORGANIZATION SHOULD BE CONTACTED FOR THE LATEST REVISION.</small>		DWN P. YEAGER 20-FEB-97 CHK S. KROEGER 20-FEB-97 APVD S. KROEGER 20-FEB-97		Tyco Electronics Harrisburg, PA 17105-3608	
DIMENSIONS: mm		TOLERANCES UNLESS OTHERWISE SPECIFIED: 0 PLC ±- 1 PLC ±0.3 2 PLC ±0.15 3 PLC ±- 4 PLC ±- ANGLES ±2°		NAME .070 SERIES, 4 POSITION, MULTILOCK (SINGLE TYPE)	
MATERIAL PBT		FINISH -		PRODUCT SPEC - APPLICATION SPEC - WEIGHT -	
CUSTOMER DRAWING		SCALE 2:1		SIZE A3 CAGE CODE 00779 DRAWING NO C-776066 RESTRICTED TO -	
				SHEET 1 OF 1 REV C	