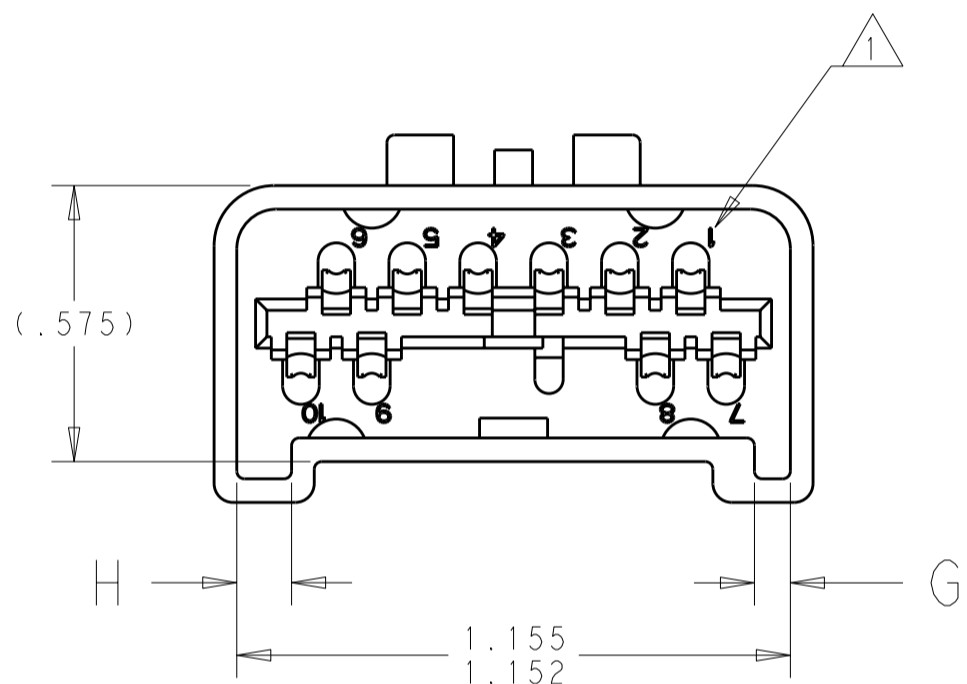
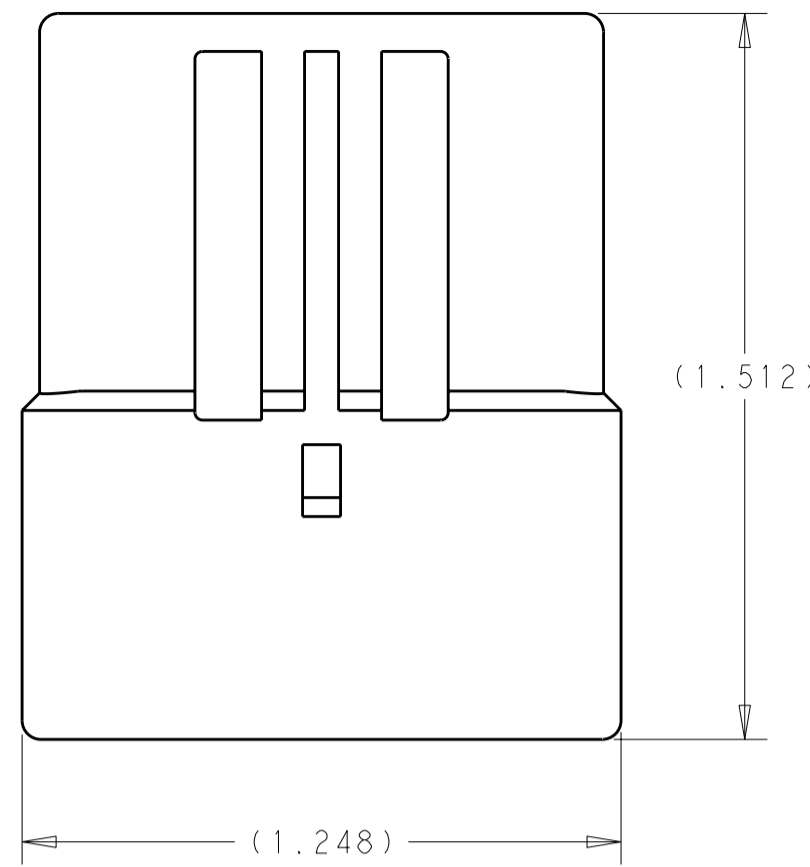
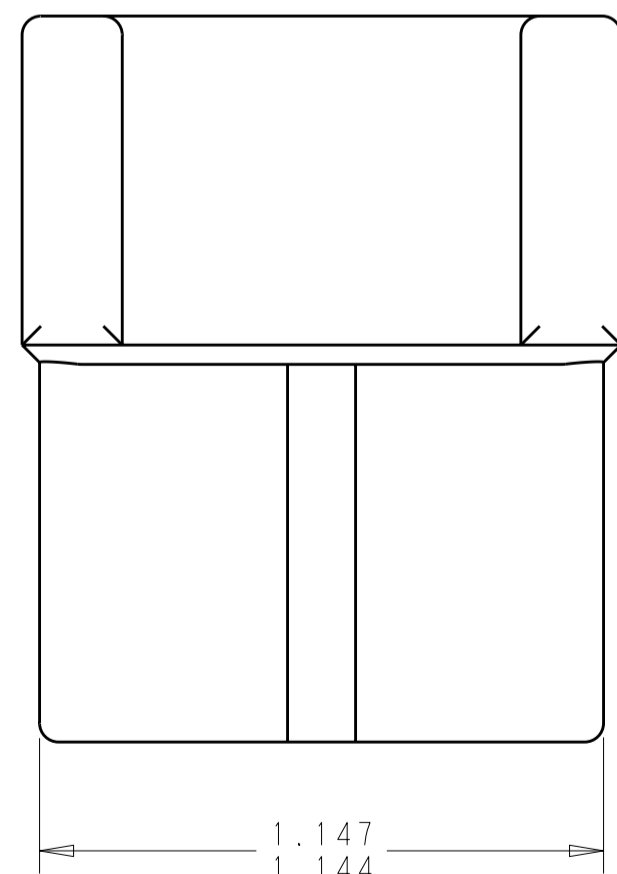


THIS DRAWING IS UNPUBLISHED. RELEASED FOR PUBLICATION 20
 © COPYRIGHT 20 BY TYCO ELECTRONICS CORPORATION. ALL INTERNATIONAL RIGHTS RESERVED.

LOC	DIST	REVISIONS			
P	LTR	DESCRIPTION	DATE	DWN	APVD
GE	00	A	INITIAL RELEASE	26OCT2010	DD TB



1. CIRCUIT IDENTIFICATION, (1 - 8) .039 HIGH CHARACTERS.
 2. DRAFT ANGLE PERMISSIBLE ONLY WITHIN DRAWING TOLERANCE.



.034	0.86	.0738	1.875	.127	3.23	.269	6.83	.575	14.61		
.032	0.81	.073	1.85	.125	3.17	.266	6.76	.545	13.84		
.031	0.79	.071	1.80	.124	3.15	.260	6.60	.537	13.64		
.028	0.71	.0636	1.615	.123	3.12	.250	6.35	.530	13.46		
.024	0.61	.063	1.60	.122	3.10	.2215	5.626	.527	13.39		
.0227	0.577	.0616	1.565	.118	3.00	.209	5.31	.508	12.90	1.512	38.40
.0207	0.526	.061	1.55	.116	2.95	.207	5.26	.504	12.80	1.248	31.70
.020	0.51	.059	1.50	.112	2.84	.201	5.11	.478	12.14	1.155	29.34
.016	0.41	.057	1.45	.106	2.69	.179	4.55	.474	12.04	1.152	29.26
.015	0.38	.055	1.40	.100	2.54	.172	4.37	.467	11.86	1.147	29.13
.014	0.36	.054	1.37	.098	2.49	.150	3.81	.465	11.81	1.144	29.06
.012	0.30	.053	1.35	.097	2.46	.142	3.61	.463	11.76	1.028	26.11
.008	0.20	.049	1.24	.089	2.26	.136	3.45	.4429	11.250	.892	22.66
.006	0.15	.047	1.19	.085	2.16	.133	3.38	.433	11.00	.709	18.01
.0047	0.119	.045	1.14	.079	2.01	.130	3.30	.3691	9.375	.685	17.40
.004	0.010	.043	1.09	.078	1.98	.1299	3.299	.2953	7.501	.660	16.76
.002	0.05	.042	1.07	.076	1.93	.129	3.28	.291	7.39	.622	15.80
.0000	0.000	.039	0.99	.075	1.91	.128	3.25	.272	6.91	.618	15.70
IN	MM	IN	MM	IN	MM	IN	MM	IN	MM	IN	MM

CONVERSION TABLE

.076/.073	.116/.112	GRAY	F6DB-14A459-EA	776073-2
.116/.112	.076/.073	BLACK	F6DB-14A459-FA	776073-1
DIM "H"	DIM "G"	COLOR	FORD PART NUMBER	PART NUMBER
<small>THIS DRAWING IS A CONTROLLED DOCUMENT FOR TYCO ELECTRONICS CORPORATION. IT IS SUBJECT TO CHANGE AND THE CONTROLLING ENGINEERING ORGANIZATION SHOULD BE CONTACTED FOR THE LATEST REVISION.</small>		DWN D. DRUMMOND	26OCT2010 Tyco Electronics Corporation Harrisburg, PA 17105-3608	
DIMENSIONS: INCHES		CHK T. BANAS	NAME RECEPTACLE, FREE HANGING, 10 POSITION, ABC CONNECTOR	
		APVD T. BANAS	PRODUCT SPEC	
TOLERANCES UNLESS OTHERWISE SPECIFIED: 0 PLC ± 1 PLC ± 2 PLC ± 3 PLC ±.004 4 PLC ± ANGLES ±0° 30'		APPLICATION SPEC	SIZE CAGE CODE DRAWING NO RESTRICTED TO	
MATERIAL		WEIGHT	A200779C-776073	
FINISH		CUSTOMER DRAWING	SCALE 5:2	SHEET 1 OF 1 REV A