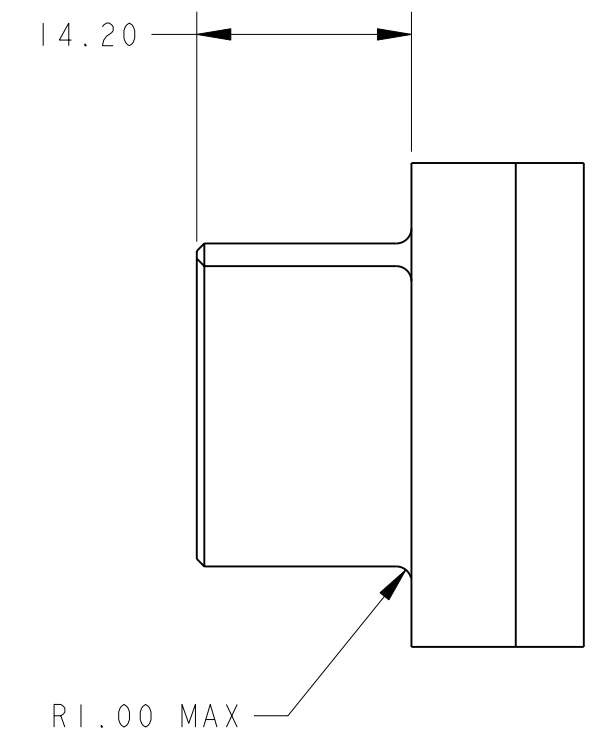
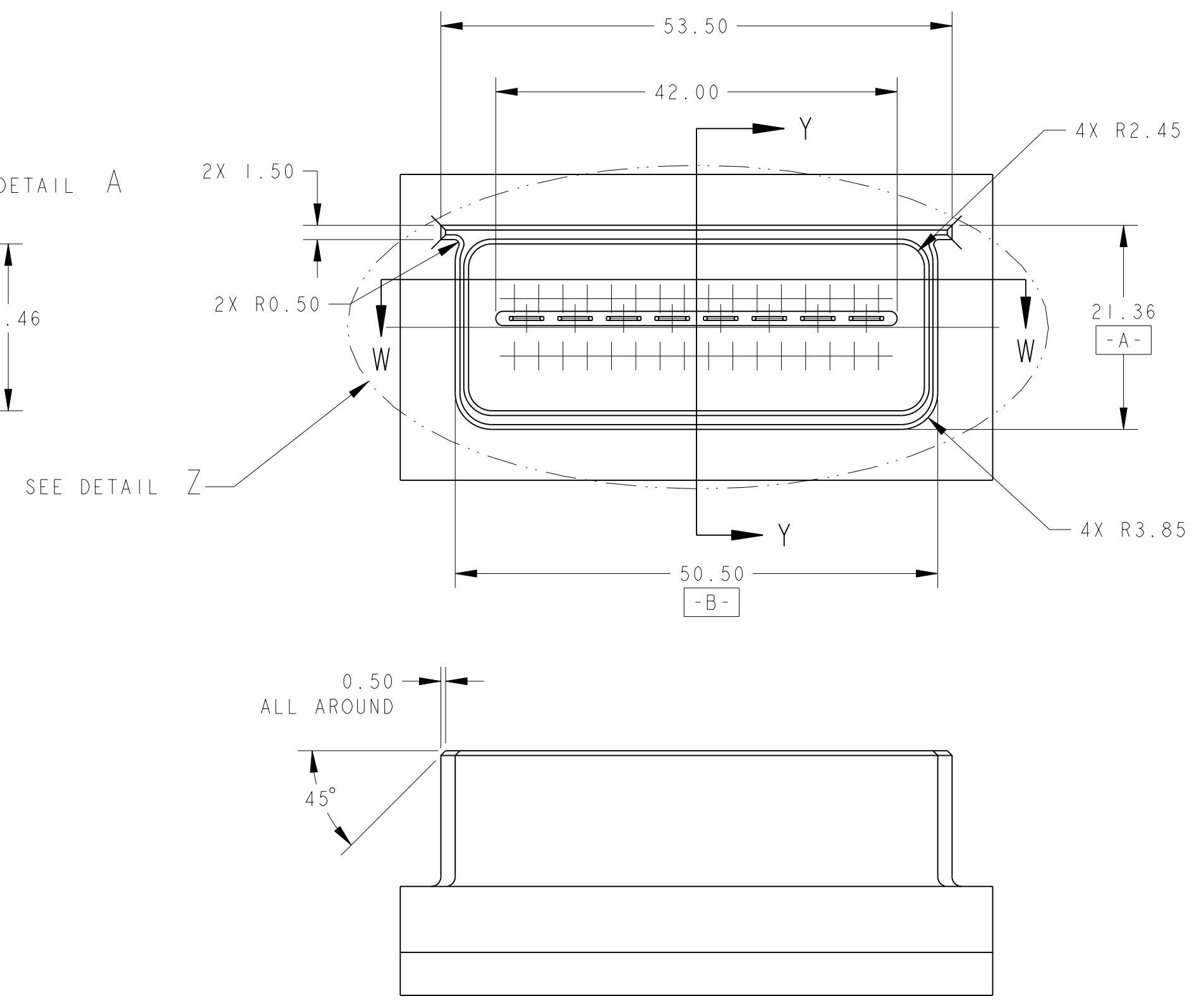
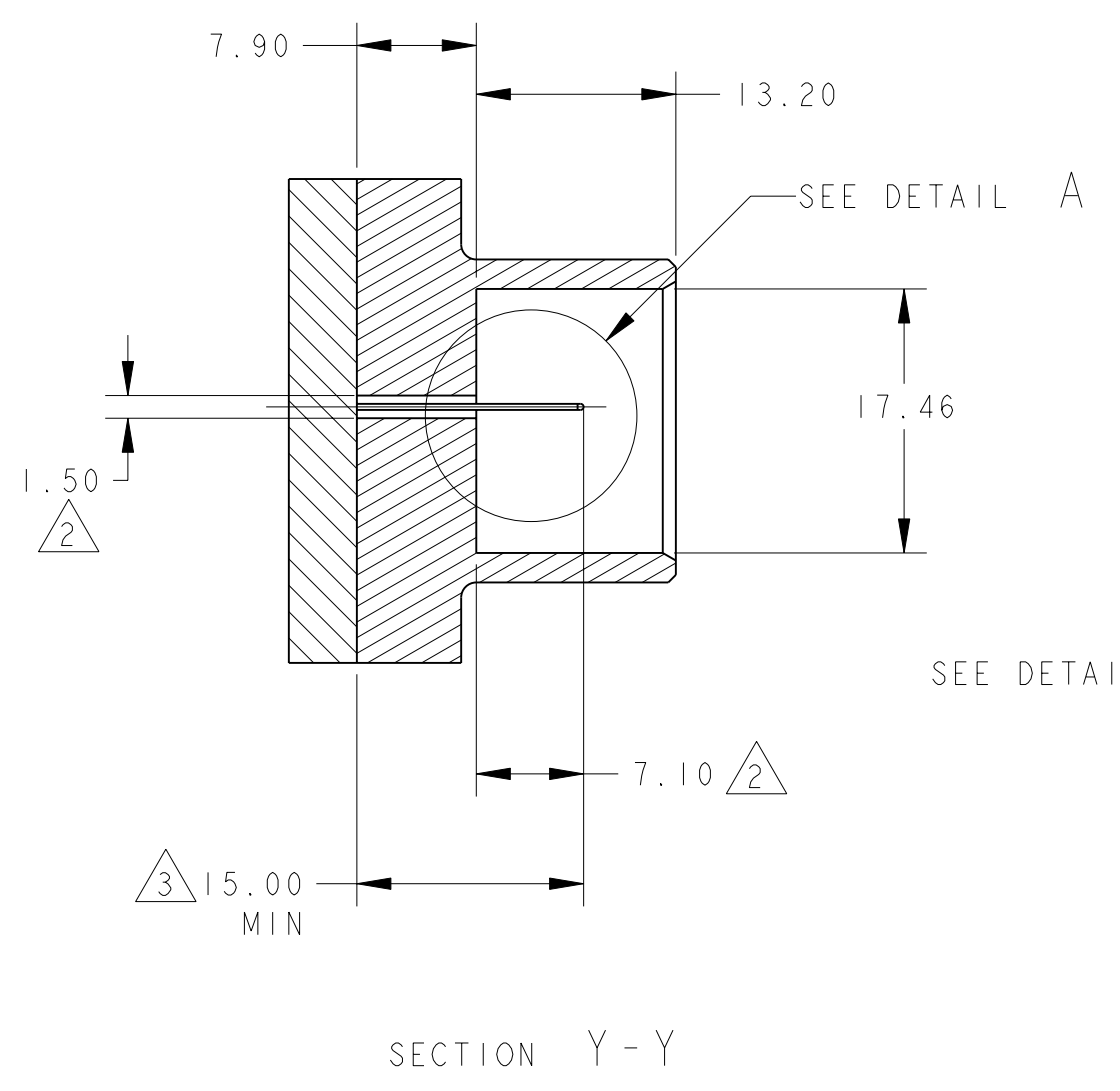
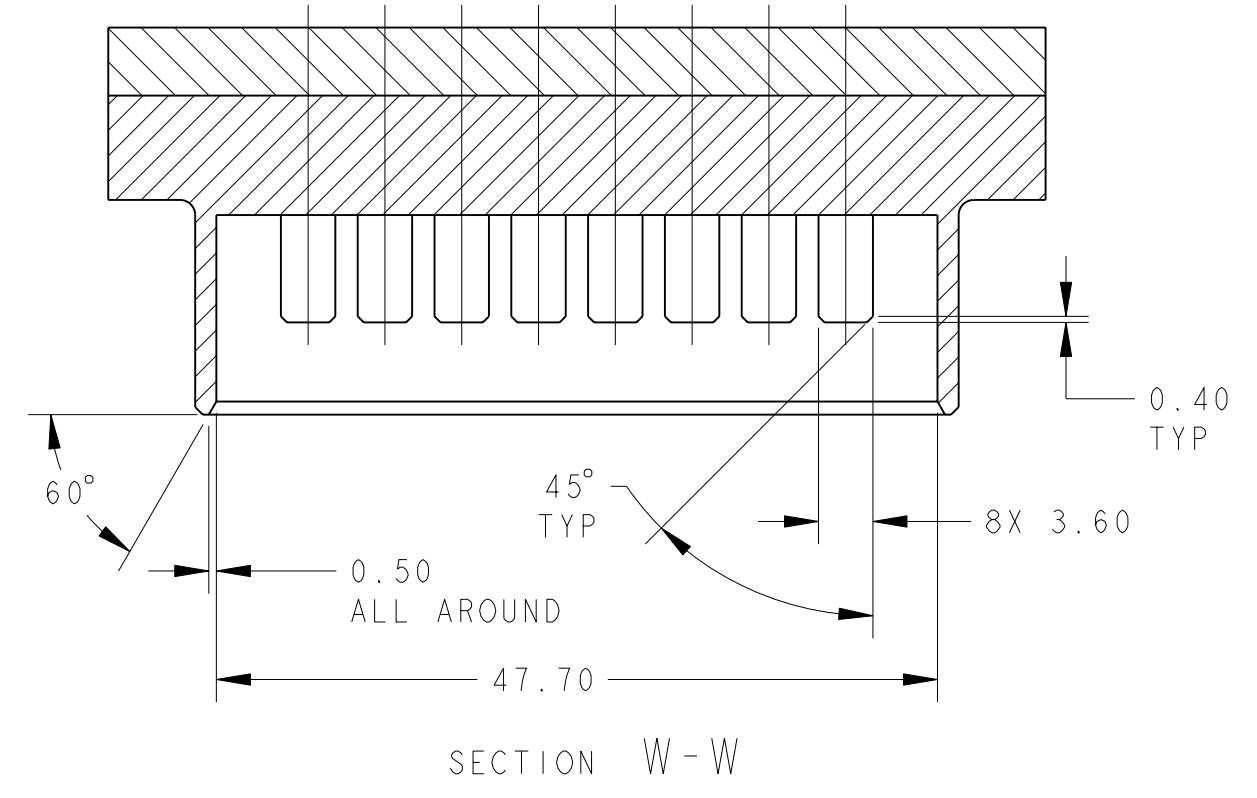
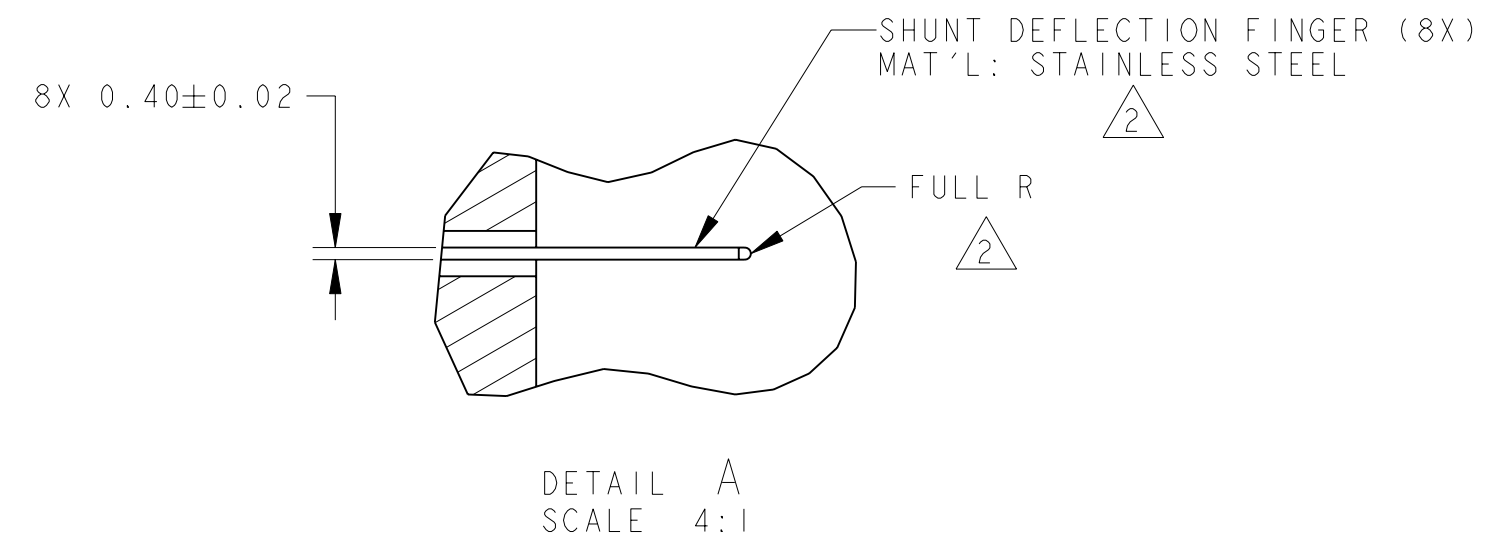


THIS DRAWING IS UNPUBLISHED. RELEASED FOR PUBLICATION 20
 © COPYRIGHT 20 BY TYCO ELECTRONICS CORPORATION. ALL RIGHTS RESERVED.

REVISIONS				DATE	DWN	APVD
P	LTR	DESCRIPTION				
	I	DRAWN	08AUG2005	JRS	FIK	



- THIS TEST FIXTURE LAYOUT ACCEPTS 32 POSN SEALED PLUG, DRAWING NUMBER 1438640
- REQUIRED TO AVOID DAMAGE TO SHUNT.
- 15.00 MIN REQUIRED TO ALLOW PROPER FLEX OF SHUNT DELECTION FINGER
- LOCATIONS FOR 0.64mm² PIN CONTACTS (AS LOCATED ON MATING HEADER) ARE SHOWN IN DETAIL Z ON SHEET 2.

<small>THIS DRAWING IS A CONTROLLED DOCUMENT FOR TYCO ELECTRONICS CORPORATION IT IS SUBJECT TO CHANGE AND THE CONTROLLING ENGINEERING ORGANIZATION SHOULD BE CONTACTED FOR THE LATEST REVISION.</small>		DWN J R SHUEY 08AUG2005	tyco Tyco Electronics Harrisburg, PA 17105-3608	
DIMENSIONS: mm		CHK F I KINSEY 08AUG2005	NAME TEST FIXTURE LAYOUT 32 POSN SEALED PLUG	
TOLERANCES UNLESS OTHERWISE SPECIFIED: 0 PLC ± 1 PLC ±0.2 2 PLC ±0.10 3 PLC ± 4 PLC ± ANGLES ±1 FINISH		APVD -	PRODUCT SPEC -	RESTRICTED TO -
MATERIAL -		APPLICATION SPEC -	WEIGHT -	SIZE A200779
CUSTOMER DRAWING		SCALE 2:1	DRAWING NO C=776832	SHEET 1 OF 2

4

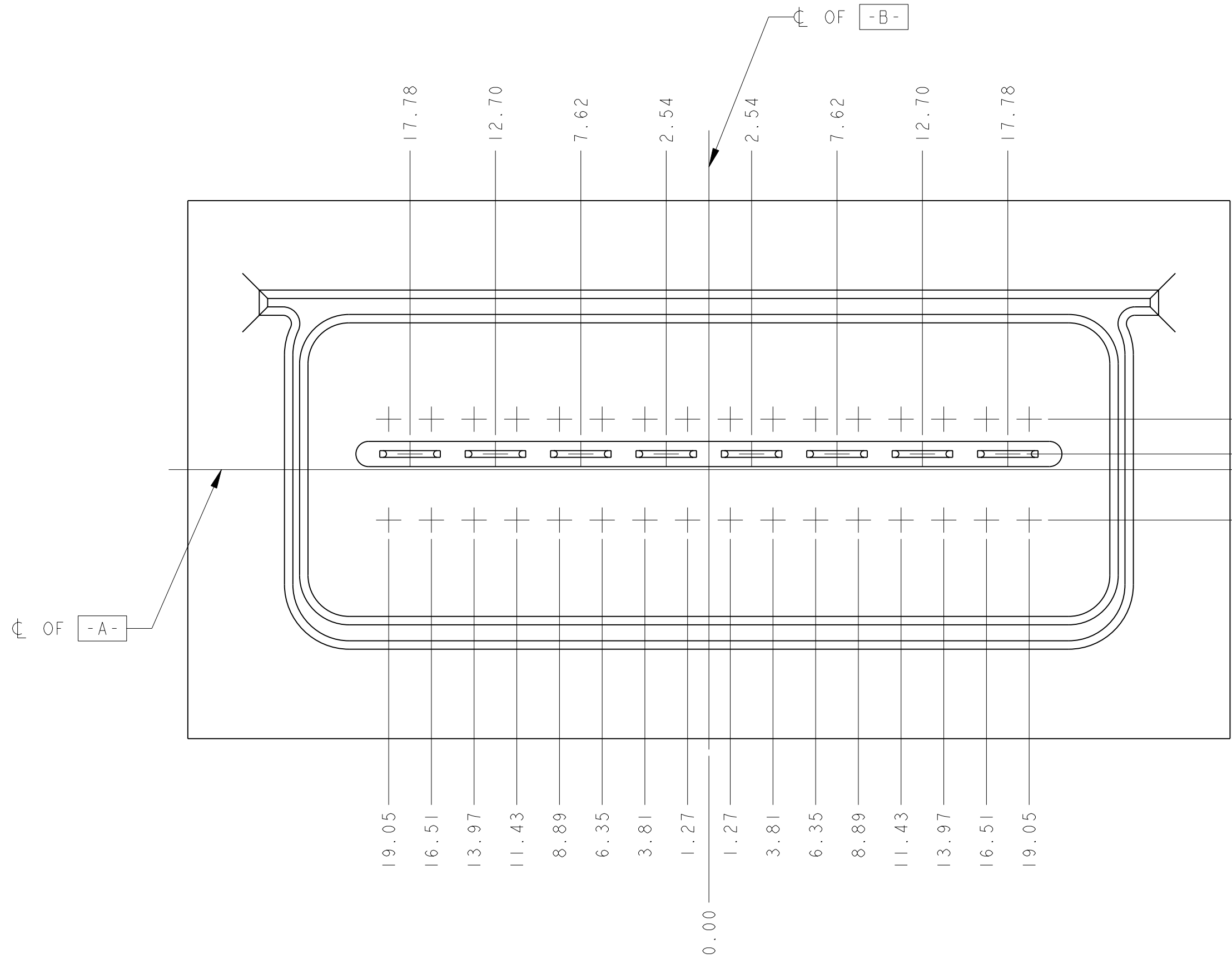
3

2

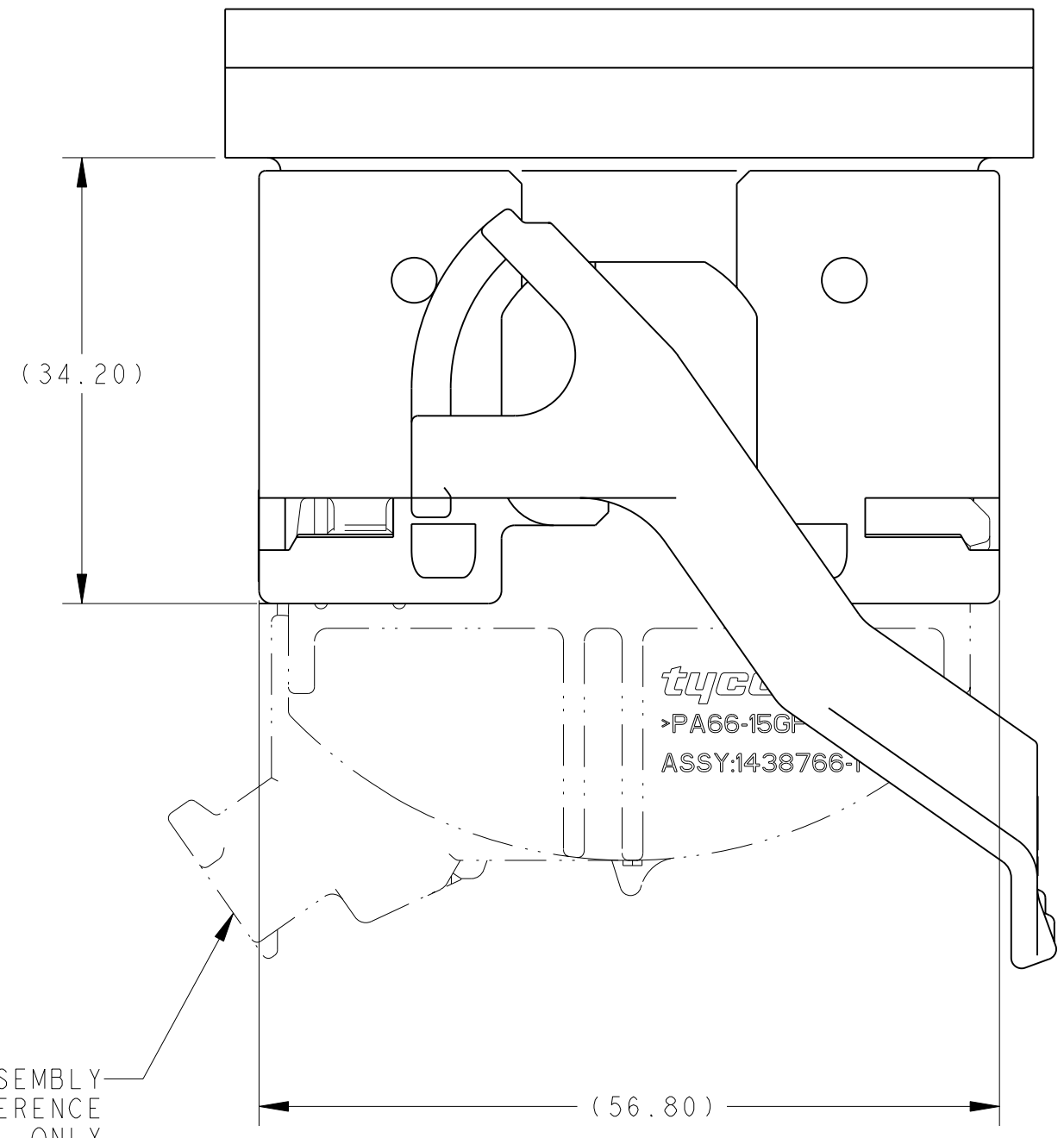
1

THIS DRAWING IS UNPUBLISHED. RELEASED FOR PUBLICATION 20
 © COPYRIGHT 20 BY TYCO ELECTRONICS CORPORATION. ALL RIGHTS RESERVED.

LOC	DIST	REVISIONS					
		P	LTR	DESCRIPTION	DATE	DWN	APVD
IN	00	-	-	SEE SHEET 1	-	-	-



DETAIL Z
 SCALE 4:1



WIRE DRESS ASSEMBLY
 SHOWN FOR REFERENCE
 ONLY

PLUG MATED TO FIXTURE
 1438640-1 SHOWN
 SCALE 2:1

<small>THIS DRAWING IS A CONTROLLED DOCUMENT FOR TYCO ELECTRONICS CORPORATION IT IS SUBJECT TO CHANGE AND THE CONTROLLING ENGINEERING ORGANIZATION SHOULD BE CONTACTED FOR THE LATEST REVISION.</small>		DWN J R SHUEY 08AUG2005 CHK F I KINSEY 08AUG2005 APVD -	tyco Electronics Tyco Electronics Harrisburg, PA 17105-3608
DIMENSIONS: mm 	TOLERANCES UNLESS OTHERWISE SPECIFIED: 0 PLC ± 1 PLC ±0.2 2 PLC ±0.10 3 PLC ± 4 PLC ± ANGLES ±1 FINISH -	NAME TEST FIXTURE LAYOUT 32 POSN SEALED PLUG PRODUCT SPEC - APPLICATION SPEC - WEIGHT -	SIZE A2 CAGE CODE 00779 DRAWING NO C=776832 RESTRICTED TO -
MATERIAL -		CUSTOMER DRAWING	
		SCALE 2:1	SHEET 2 OF 2 REV 1