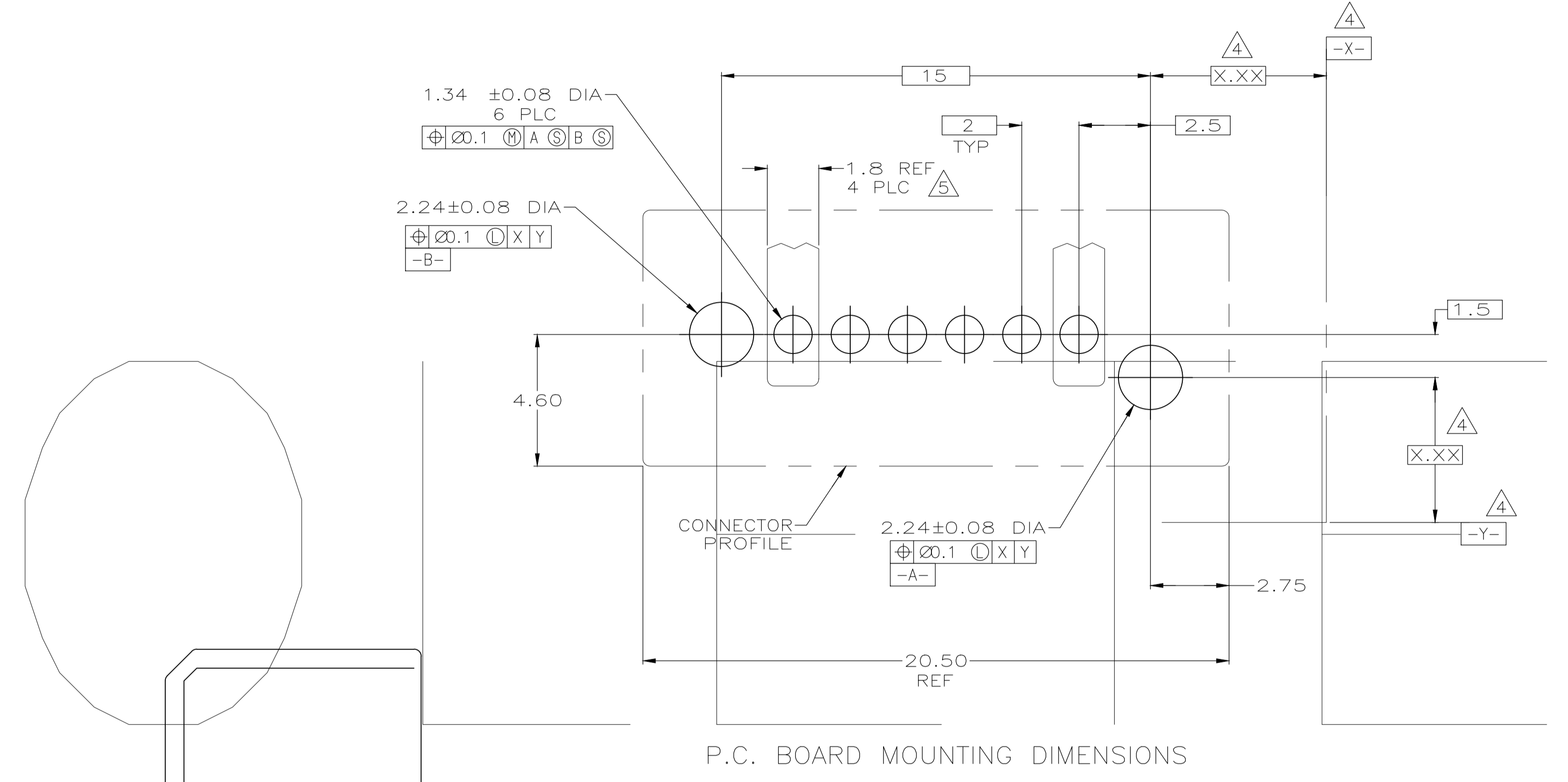
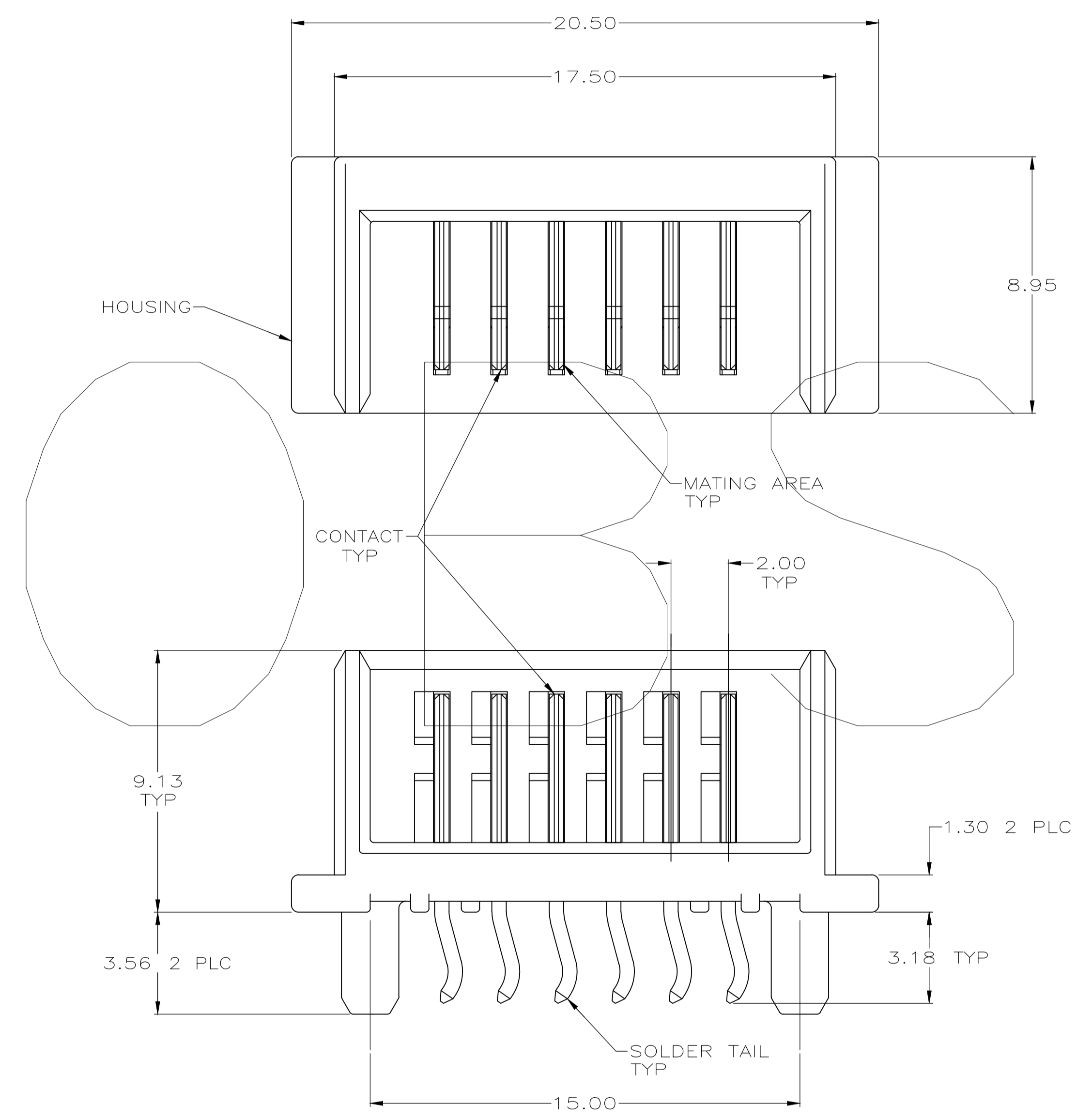


THIS DRAWING IS UNPUBLISHED.  
 RELEASED FOR PUBLICATION  
 © COPYRIGHT - TE Connectivity Ltd. ALL RIGHTS RESERVED.

REVISIONS				
P	LTR	DESCRIPTION	DATE	OWN APVD
F1		OBSOLETE	05JUN2019	K.G W.H



- ⚠ SPS, UL 94V-0 RATED, BLACK.
- ⚠ BRASS.
- ⚠ .076μm MINIMUM GOLD OVER 0.76μm MINIMUM PALLADIUM NICKEL ON MATING AREA, 3.80μm MINIMUM TIN-LEAD ON SOLDER TAIL, ALL OVER 1.27 μm MINIMUM NICKEL.
- ⚠ DATUMS AND DIMENSIONS ESTABLISHED BY CUSTOMER.
- ⚠ RECOMMENDED MINIMUM TRACE WIDTH FOR END POSITIONS WHEN CARRYING 3 AMPS: 1.8 WIDE x 55μm THICK, BOTH SIDES.

THIS DRAWING IS A CONTROLLED DOCUMENT.		OWN M.E. SHIRK 06/09/94	TE Connectivity	
DIMENSIONS: INCHES		OW WAYNE DAVIS 06/09/94	NAME HEADER ASSEMBLY, 6 POSITION, MDI	
TOLERANCES UNLESS OTHERWISE SPECIFIED:		APVD	RESTRICTED TO	
0 PLC ± -		PRODUCT SPEC	SIZE CAGE CODE DRAWING NO	
1 PLC ± -		APPLICATION SPEC	A1 00779 C-787252	
2 PLC ± 0.13		WEIGHT	SCALE 8:1 SHEET 1 OF 1 REV F1	
3 PLC ± -		1		
4 PLC ± -		3		
ANGLES FINISH		CUSTOMER DRAWING		