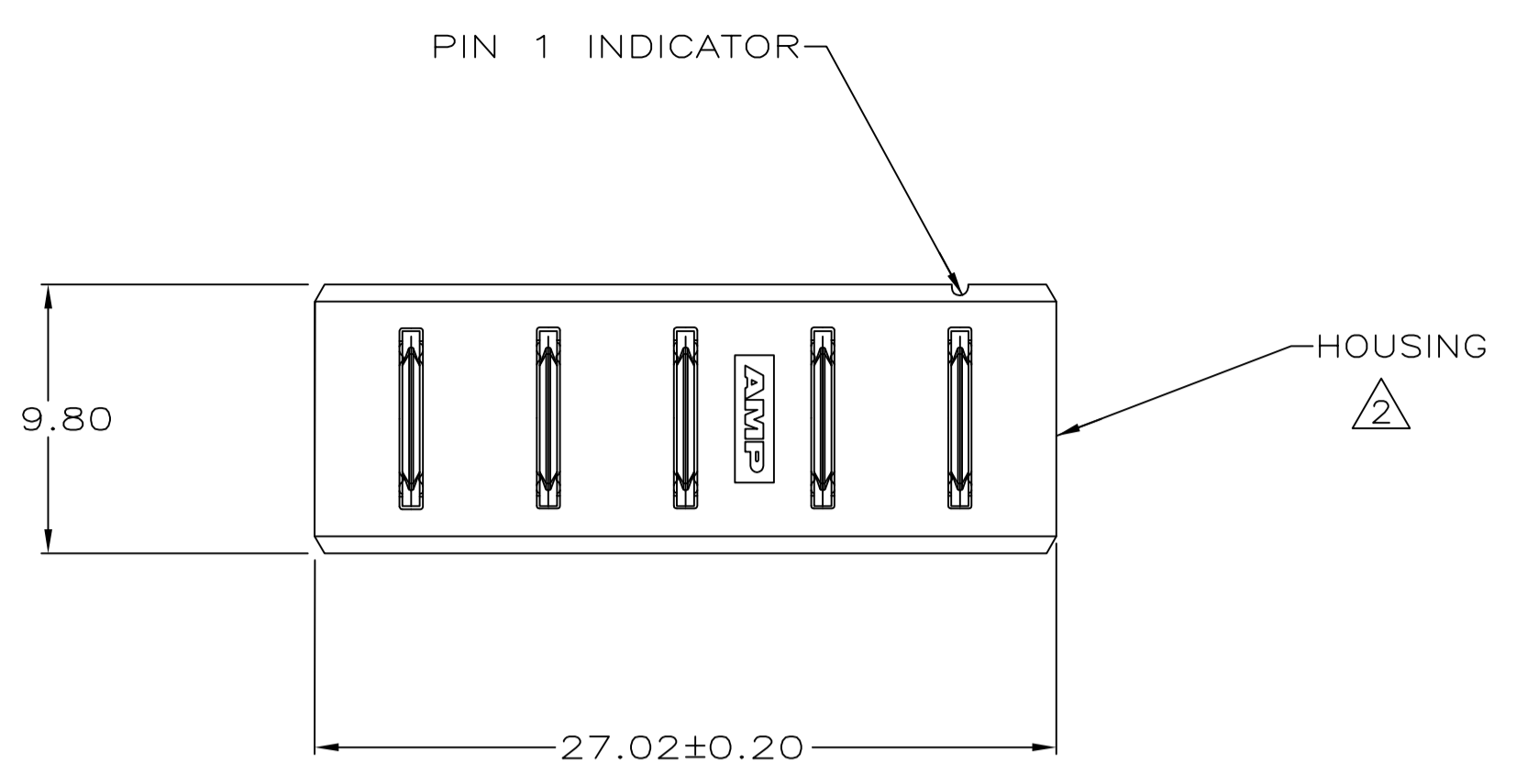
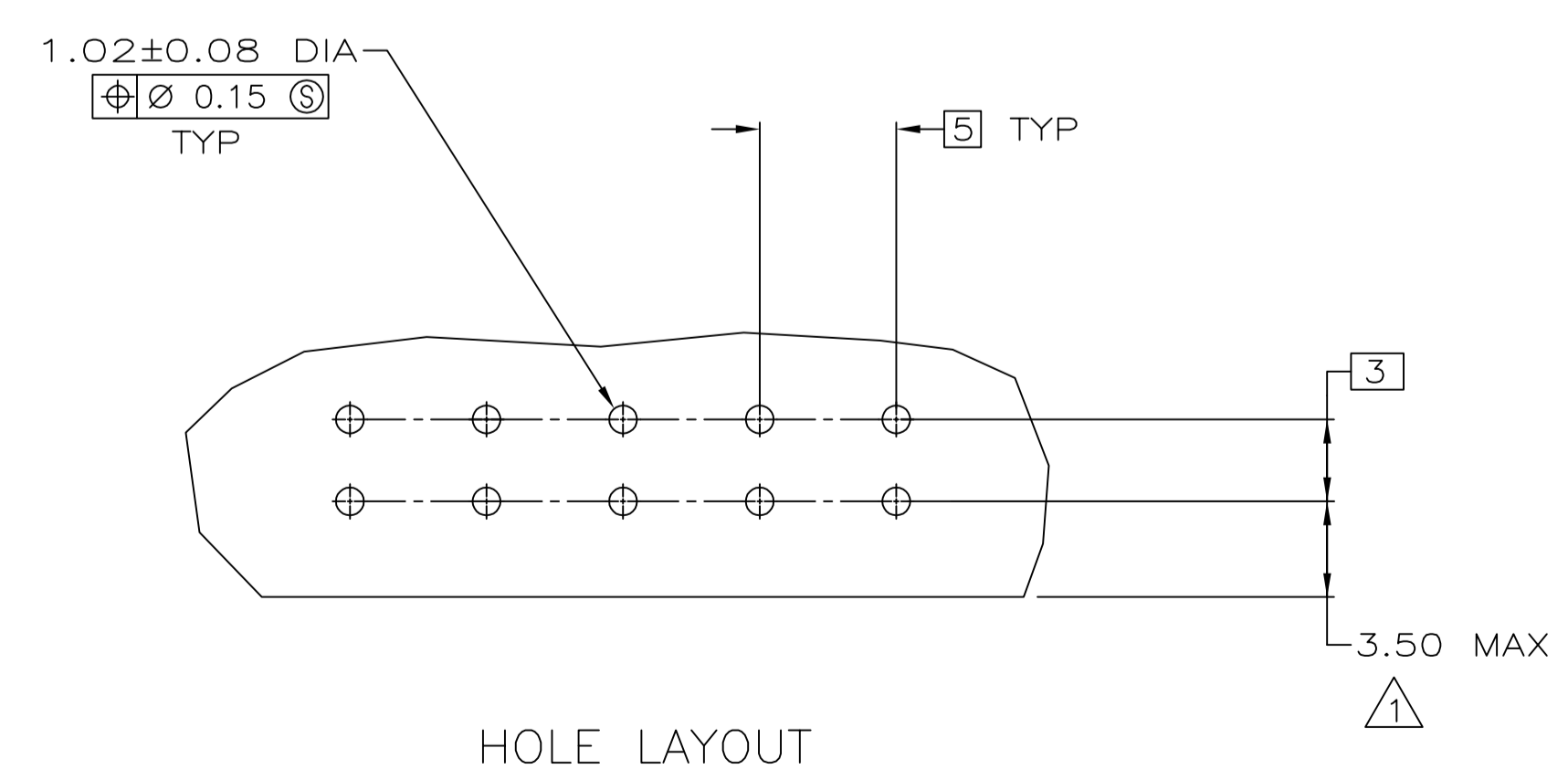
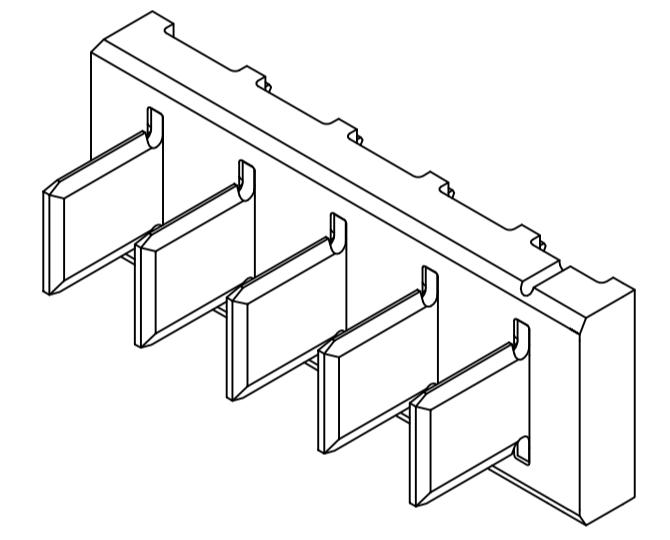
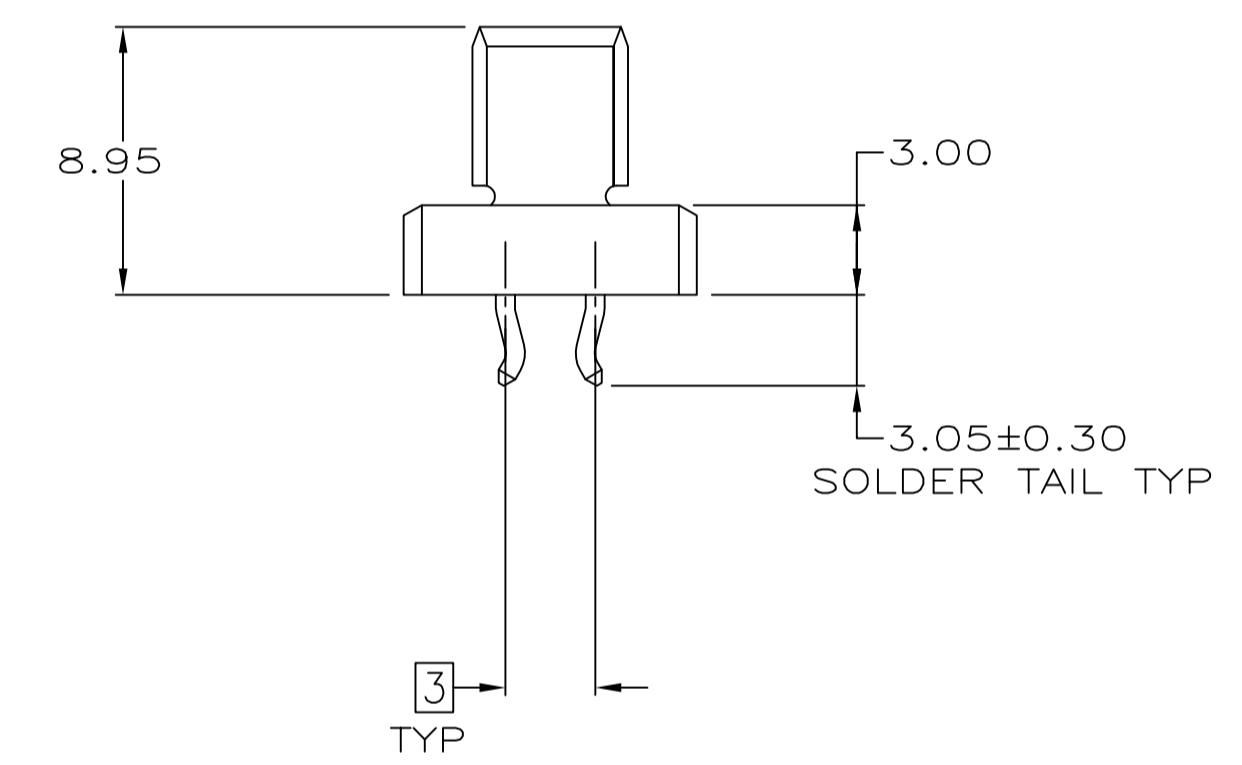
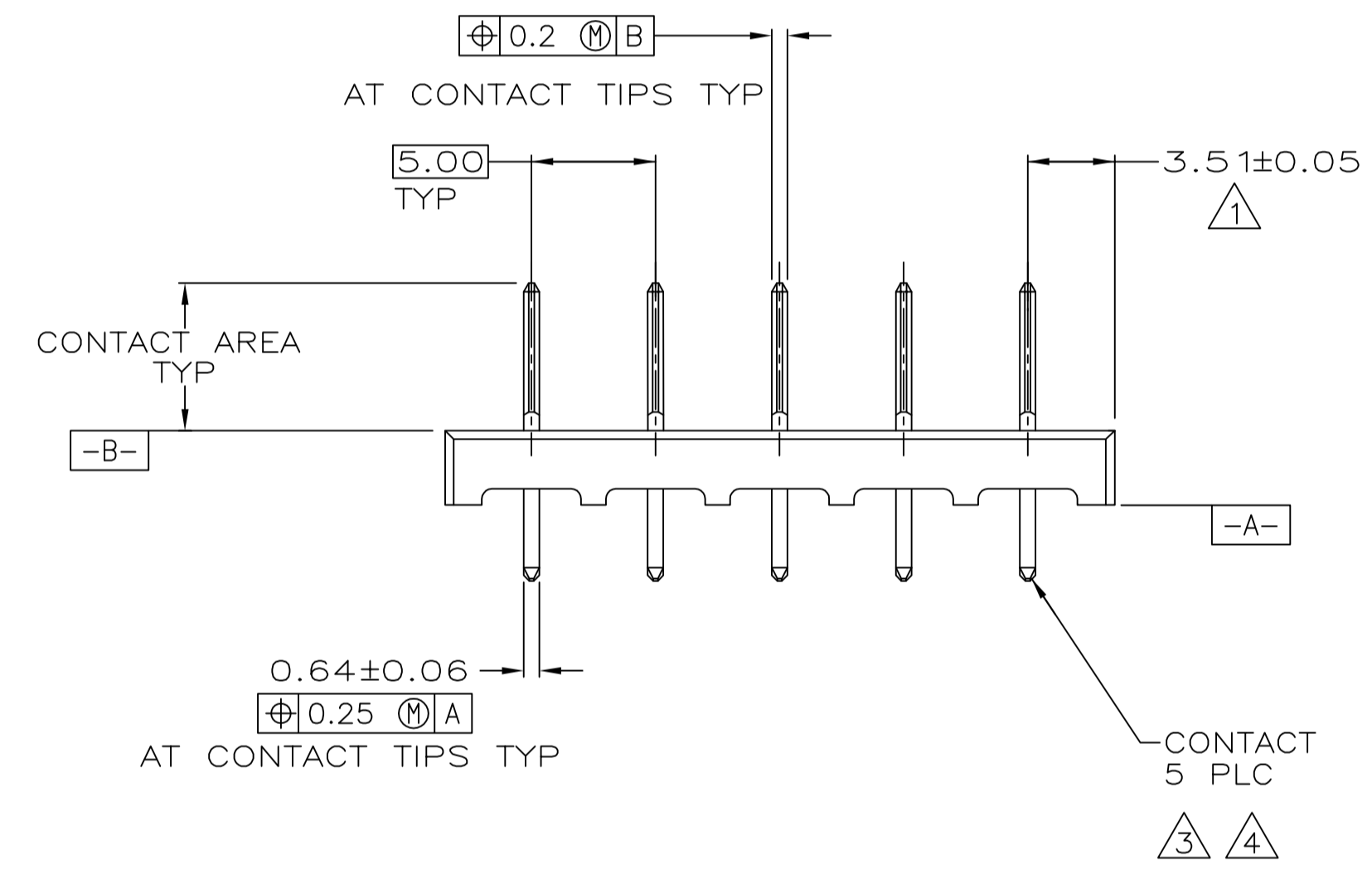


LOC	DIST	REVISIONS			
P	LTR	DESCRIPTION	DATE	DWN	APVD
0		RLSE -1 PER NPR 5307 WAS 95-2197-18-1	03-29-95	SK	SK
A		REV PER EC 0020-0657-96	12/06/96	JR	RK
D		OBSELETE PART	09/06/14	E.L	W.H
D1		REVISED PER ECR-14-009533	07/07/14	AP	JHA



- △ COORDINATE DIMENSION APPLIES FROM CENTER OF ACTUAL FEATURE.
- △ HOUSING: POLYPHTHALAMIDE, COLOR BLACK.
- △ 2.54µm MIN TIN-LEAD ON SOLDER TAIL OVER
- △ 1.90µm MIN NICKEL ALL OVER.
- △ CONTACTS: BRASS



SUPERCEDED BY 5787446-1 787446-1
 PART NO

DIMENSIONS: 0 PLC ± 1 PLC ± 2 PLC ±0.13 3 PLC ± 4 PLC ± ANGLE ± FINISH ±		TOLERANCES UNLESS OTHERWISE SPECIFIED: 0 PLC ± 1 PLC ± 2 PLC ±0.13 3 PLC ± 4 PLC ± ANGLE ± FINISH ±		DWN S.KLINE 03-29-95 CHK S.KLINE 03-30-95 APVD S.KLINE 03-30-95 PRODUCT SPEC 108-1501 APPLICATION SPEC 114-24005	NAME STE TE Connectivity HEADER ASSEMBLY, VERTICAL, KEYLESS, 5mm t, 5 POSN, RETENTIVE SOLDER TAILS, BATTERY INTERCONNECT	SIZE A1 00779	CAGE CODE C-787446	DRAWING NO C-787446
MATERIAL SEE CALLOUTS		MATERIAL SEE CALLOUTS		WEIGHT -	CUSTOMER DRAWING	SCALE 4:1	SHEET 1 OF 1	REV 01