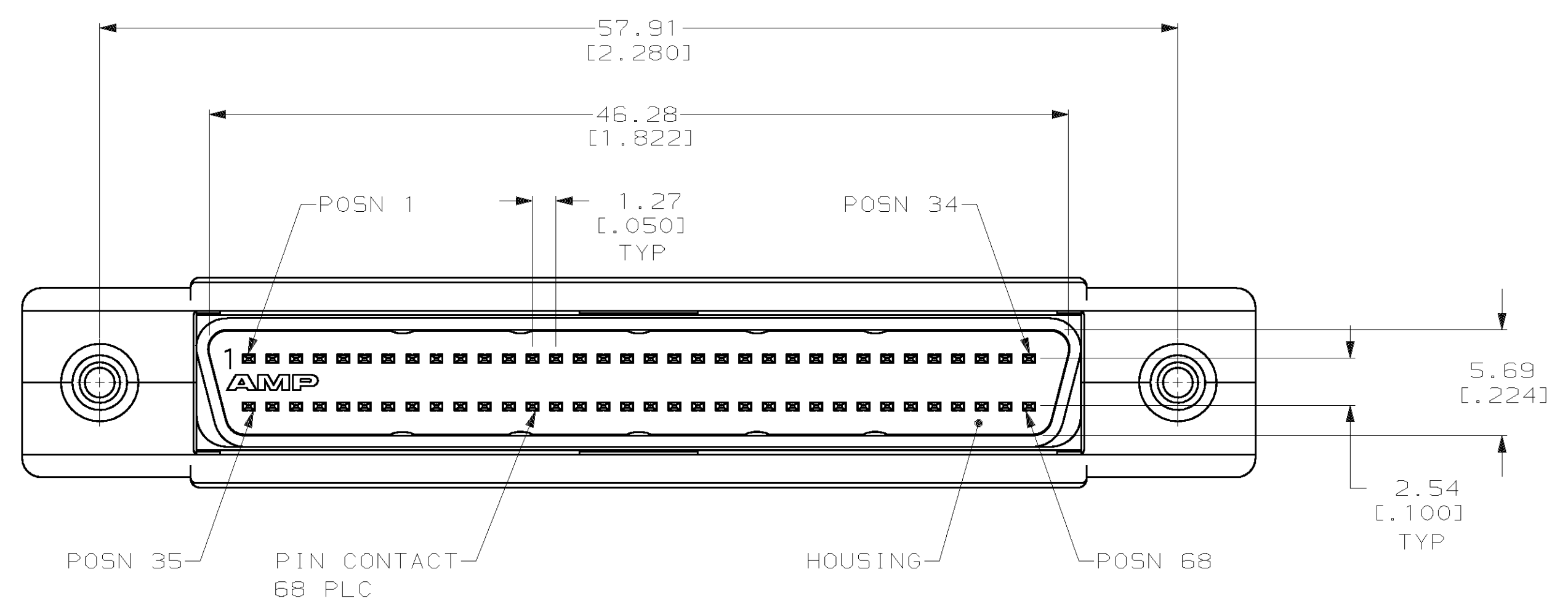
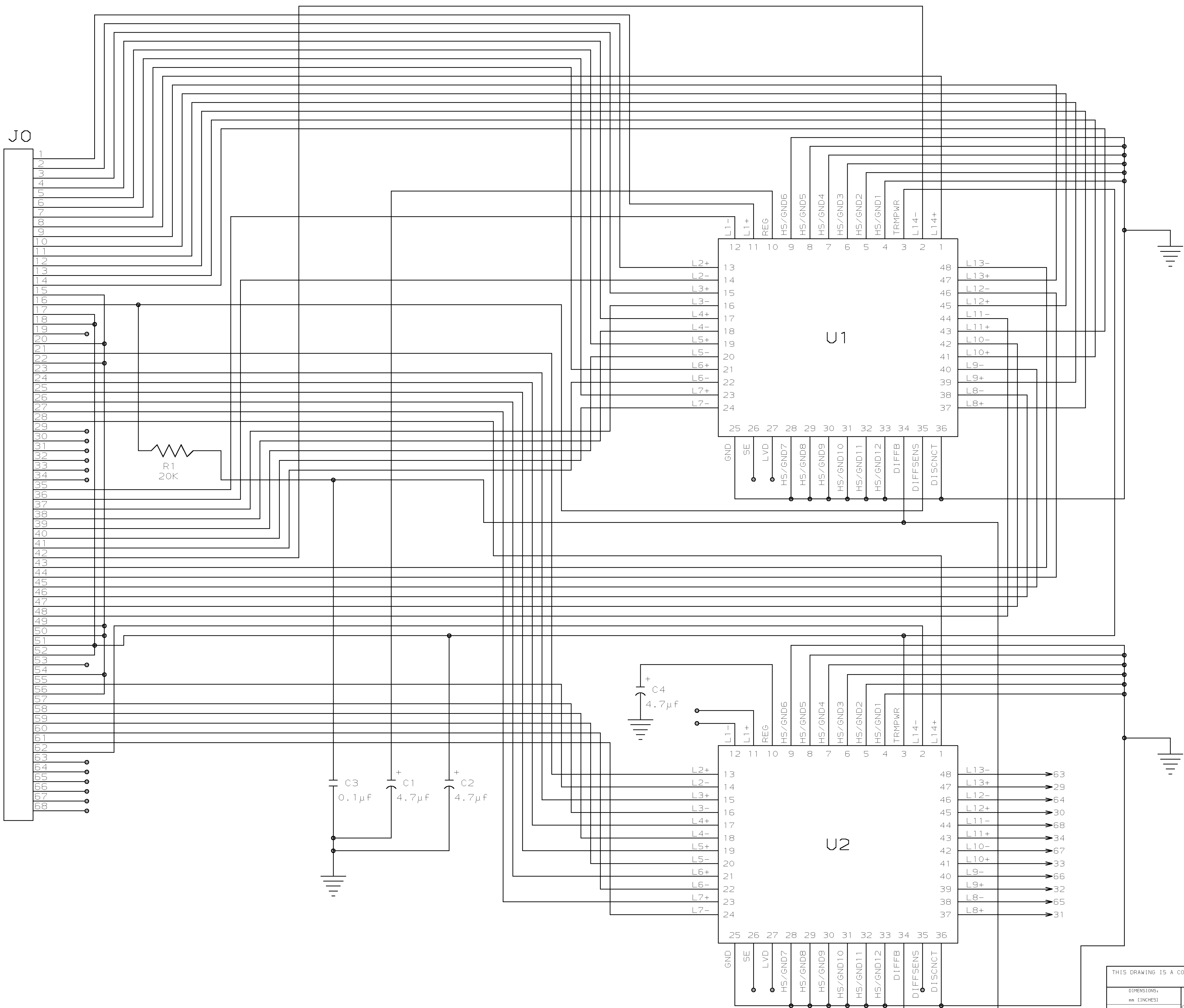


- △ SHELL: CARBON STEEL; PIN CONTACT: PHOSPHOR BRONZE; HOUSING: POLYESTER, BLACK; RESISTOR: PLASTIC LAMINATE, GRADE FR4.
- △ JACKSCREW: STAINLESS STEEL; SHIELD: COPPER; COVER: ABS, GREY, UL 94V-0; JACKSCREW HEAD: PVC, BEIGE.
- ② SHELL: 5.08µm [0.000200] MIN TIN OR TIN-LEAD OVER 1.27µm [0.00050] MIN COPPER.
- ③ PIN CONTACT: 0.76µm [0.00030] MIN GOLD FOR A LENGTH OF 3.30 [0.130] MIN FROM MATING END OVER 1.27µm [0.00050] MIN NICKEL.



788603-1
PART NUMBER

THIS DRAWING IS A CONTROLLED DOCUMENT.		DWN M. BINNER 14 APR 99	AMP Incorporated Harrisburg, PA 17105-3608
DIMENSIONS mm (INCHES)		CHK C. OBERMAN 15 APR 99	NAME P. RUELIUS 15 APR 99
TOLERANCES UNLESS OTHERWISE SPECIFIED:		PRODUCT SPEC 108-1386	APPLICATION SPEC
0 PLC	±	SIZE	A1
1 PLC	±	CAGE CODE	00779
2 PLC	±0.13 (0.005)	DRAWING NO	788603
3 PLC	±	RESTRICTED TO	-
4 PLC	±	SCALE	4:1
UNLESS	±	WEIGHT	-
FINISH	△ △	SHEET	1 OF 2
MATERIAL	△	REV	0
CUSTOMER DRAWING		SCALE 4:1 SHEET 1 OF 2 REV 0	



SCHEMATIC DIAGRAM
 COMPONENTS SHOWN FOR CLARITY

THIS DRAWING IS A CONTROLLED DOCUMENT.		Dwn M. BINNER	14 APR 99	AMP Incorporated Harrisburg, PA 17105-3608
DIMENSIONS mm (INCHES)		Chk C. OBERMAN	15 APR 99	
TOLERANCES UNLESS OTHERWISE SPECIFIED:		APPRO P. RUELIUS	15 APR 99	NAME PLUG ASSEMBLY, 68 POSITION, LOW PROFILE, .050 SERIES AMPLIMITE™, TERMINATOR
0 PLC ± 1 PLC ± 2 PLC ±0.13 (.005) 3 PLC ± 4 PLC ± DIMENSIONS		PRODUCT SPEC		APPLICATION SPEC
MATERIAL	FINISH	WEIGHT	SIZE A1	CAGE CODE 00779
CUSTOMER DRAWING		SCALE 4:1	SHEET 2	REV 0