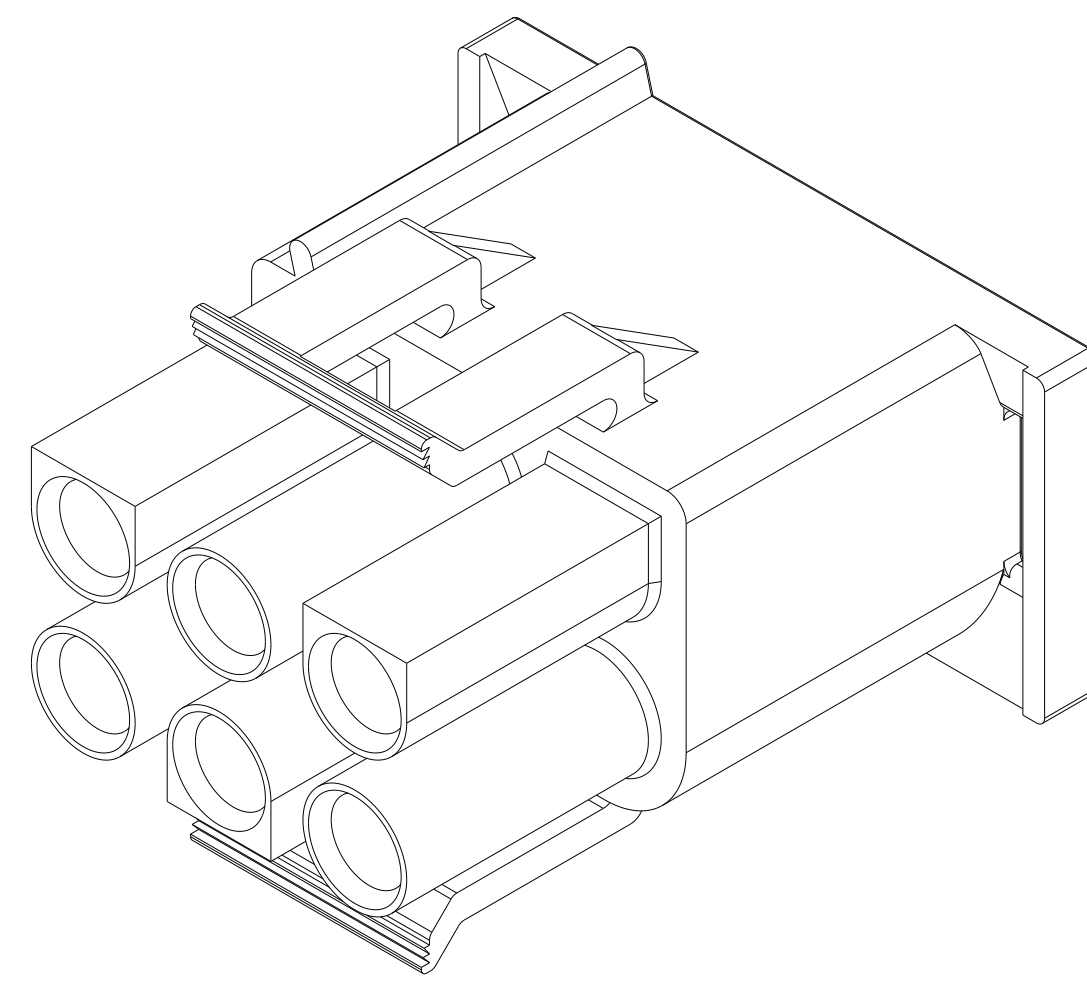
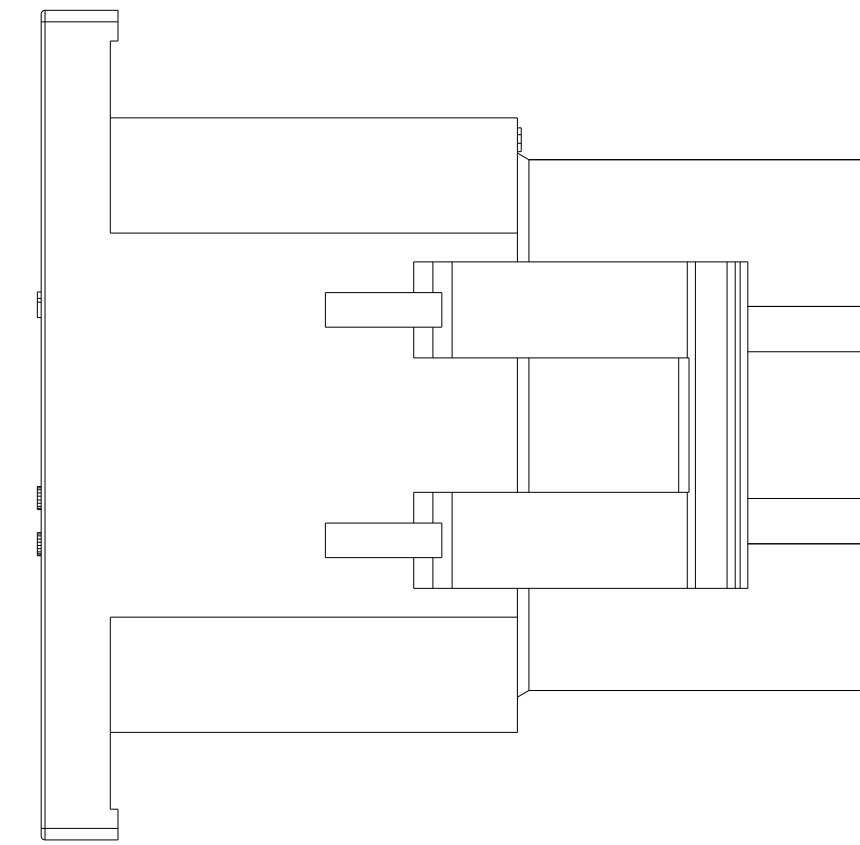
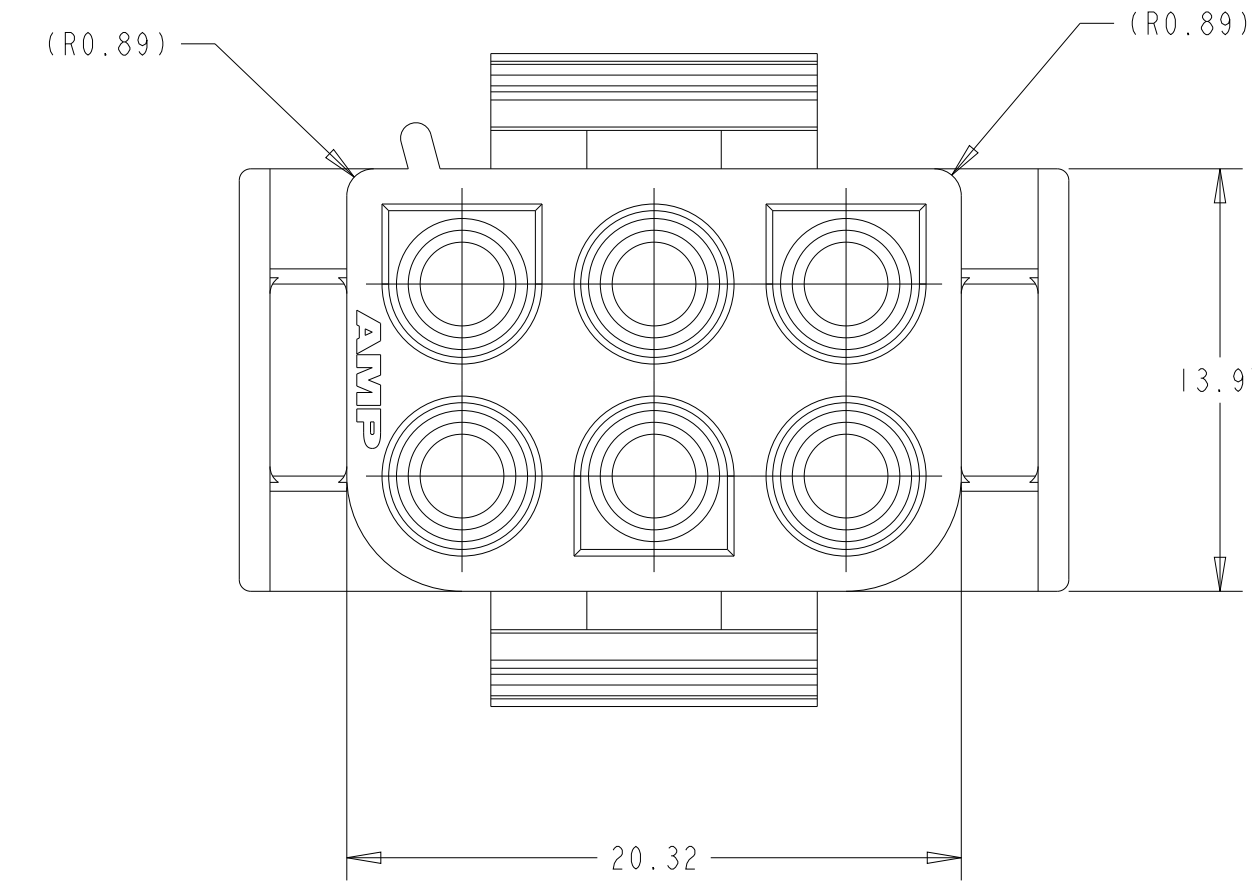
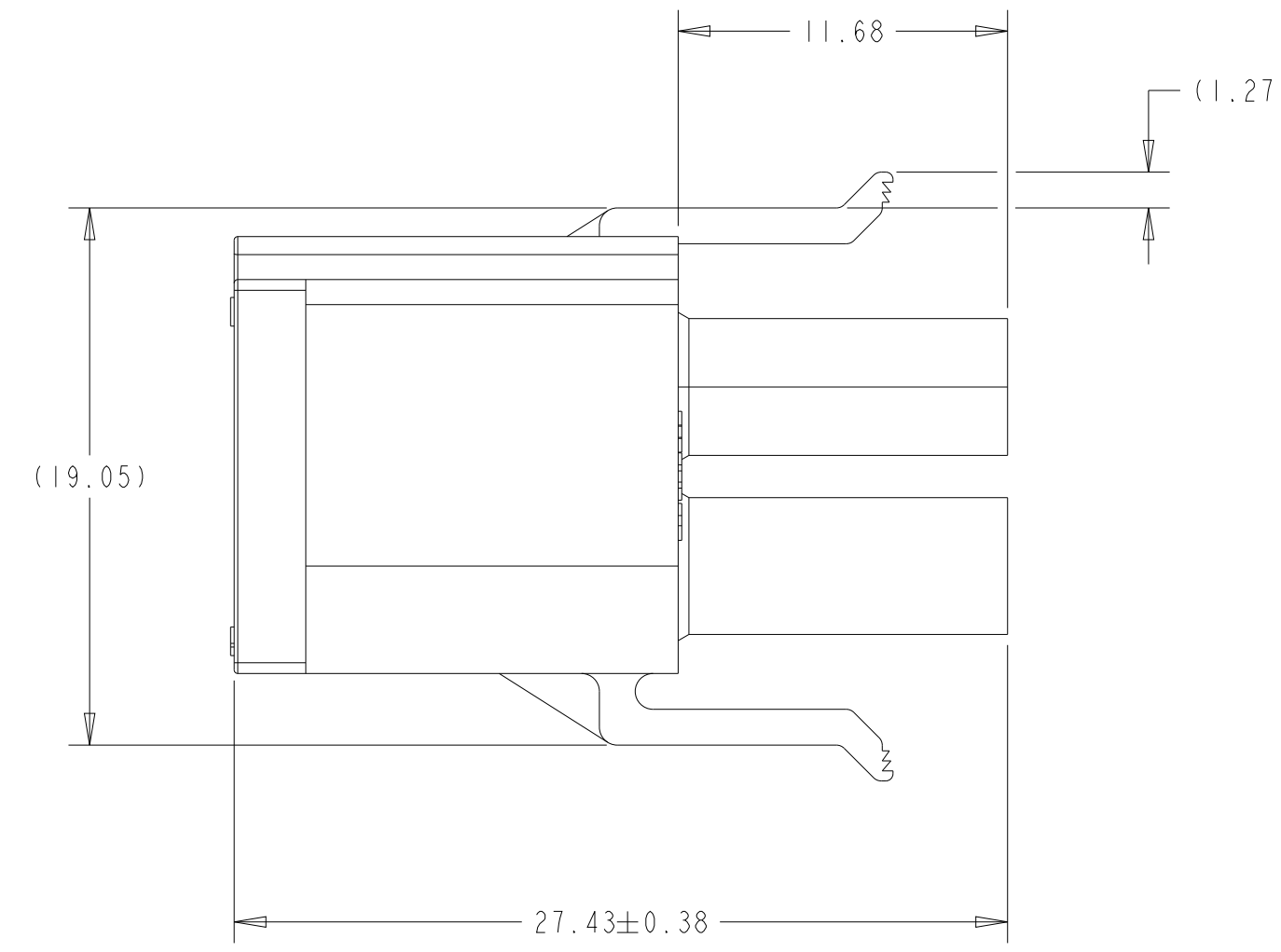
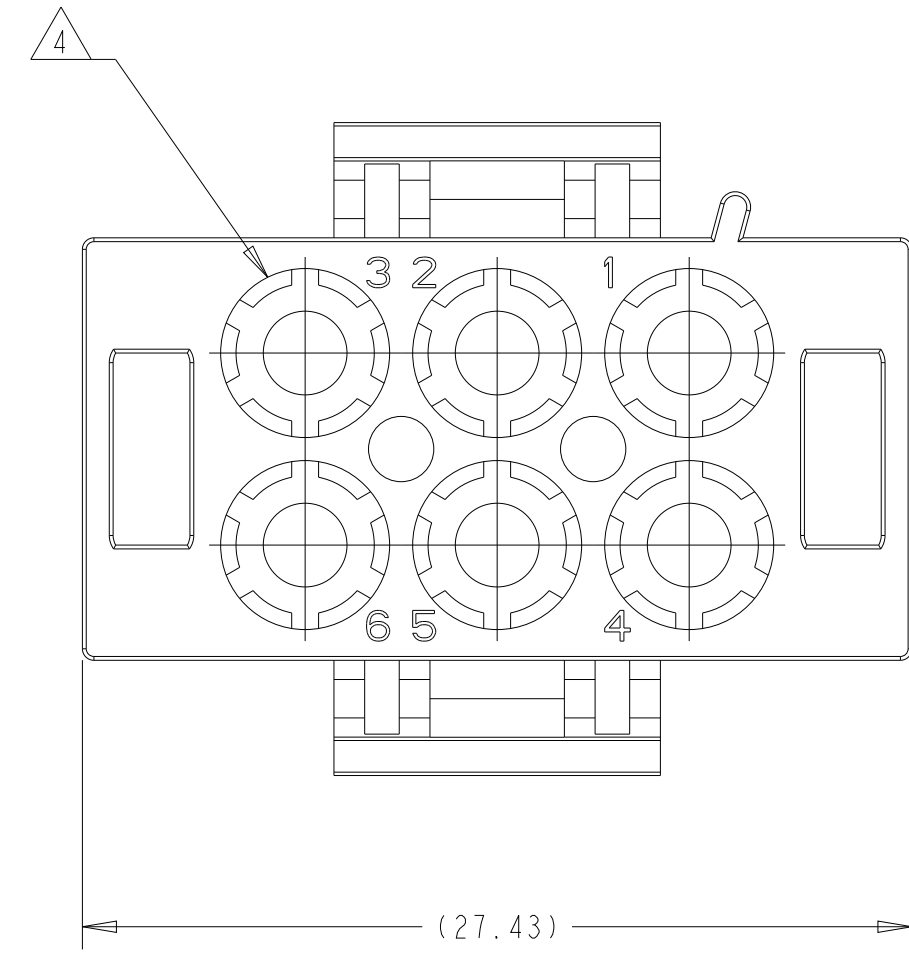


REVISIONS				
P	LTN	DESCRIPTION	DATE	APVD
A		REVISED PER ECO-17-011927	22AUG2017	RS KR
B		REVISED PER ECR-24-218682	09SEP2024	AK BR

- MATES WITH APPROPRIATE UNIVERSAL MATE-N-LOK™ CAP OR HEADER.
- SMALL NICKS ARE PERMITTED ON THE CIRCUIT TOWERS WHICH COULD INCREASE THE INITIAL HOUSING MATING FORCE BY UP TO 4.4 NEWTONS [1.0 LBS]. NO INDIVIDUAL NICKED TOWER SHALL INCREASE THIS FORCE BY OVER 2.2 NEWTONS [0.5 LBS].
- DIMENSIONS SHOWN REPRESENT PRODUCT IN DRY, AS MOLDED CONDITION ADDITIONAL 2% GROWTH DUE TO SUBSEQUENT MOISTURE ABSORPTION MAY OCCUR AND SHOULD BE ACCOUNTED FOR.

△ SIX RIBS EQUALLY SPACED, NO SPECIFIC ORIENTATION.



MM	IN
27.43	1.080
20.32	.800
19.05	.750
13.97	.550
11.68	.460
1.24	.049
0.38	.015
0.13	.005
MM	IN

CONVERSION TABLE

794096-1
PART NUMBER

THIS DRAWING IS A CONTROLLED DOCUMENT.		DWN R. WHITAKER 12-05-95		NAME PLUG, SHORT LATCH, 6 CIRCUIT, UNIVERSAL MATE-N-LOK	
DIMENSIONS:		CHK R. SWING 12-05-95		PRODUCT SPEC	
TOLERANCES UNLESS OTHERWISE SPECIFIED:		APVD D. SELE 12-06-95	APPLICATION SPEC		RESTRICTED TO
mm	0 PLC ± .13	SIZE CAGE CODE DRAWING NO		A 00779 C=794096	
mm	1 PLC ± .049	WEIGHT		SCALE 4:1 SHEET 1 OF 1 REV B	
mm	2 PLC ± .015	CUSTOMER DRAWING			
mm	3 PLC ± .005				
mm	4 PLC ± .005				
mm	ANGLES ± 40° 30'				
mm	FINISH				