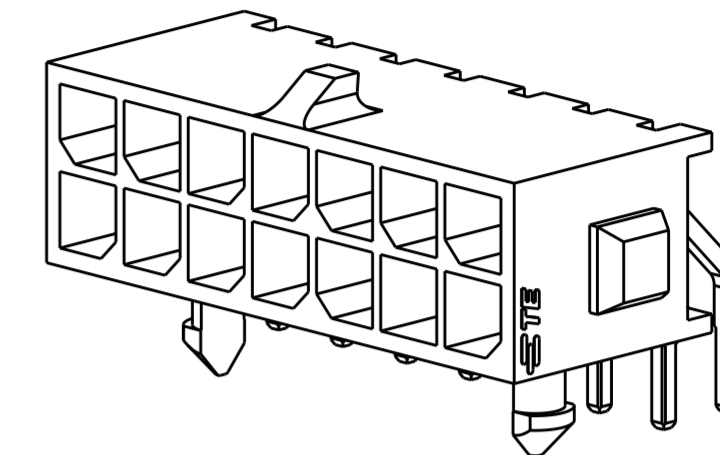
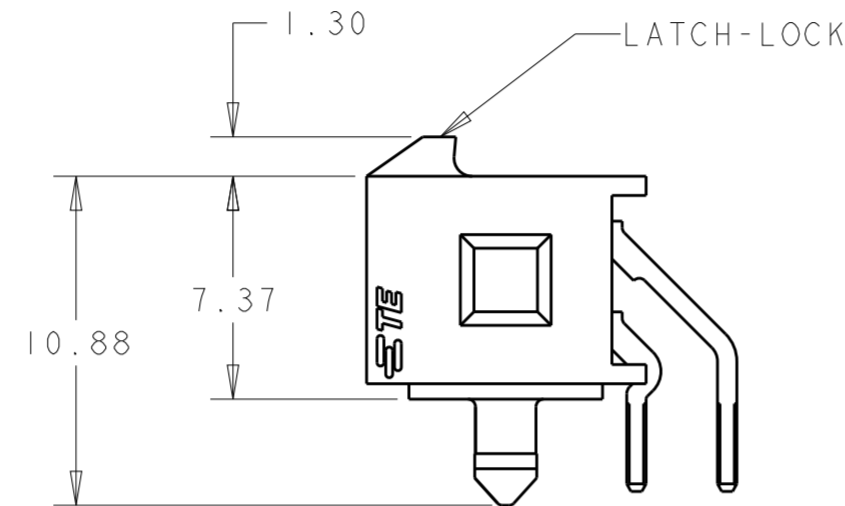
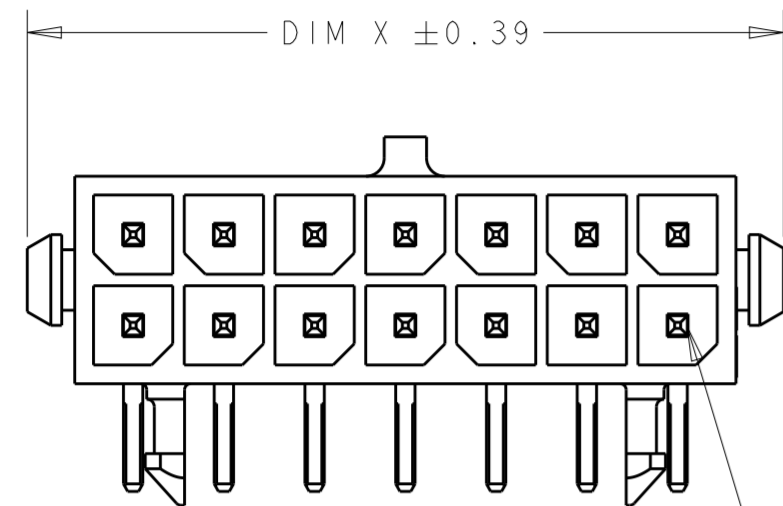
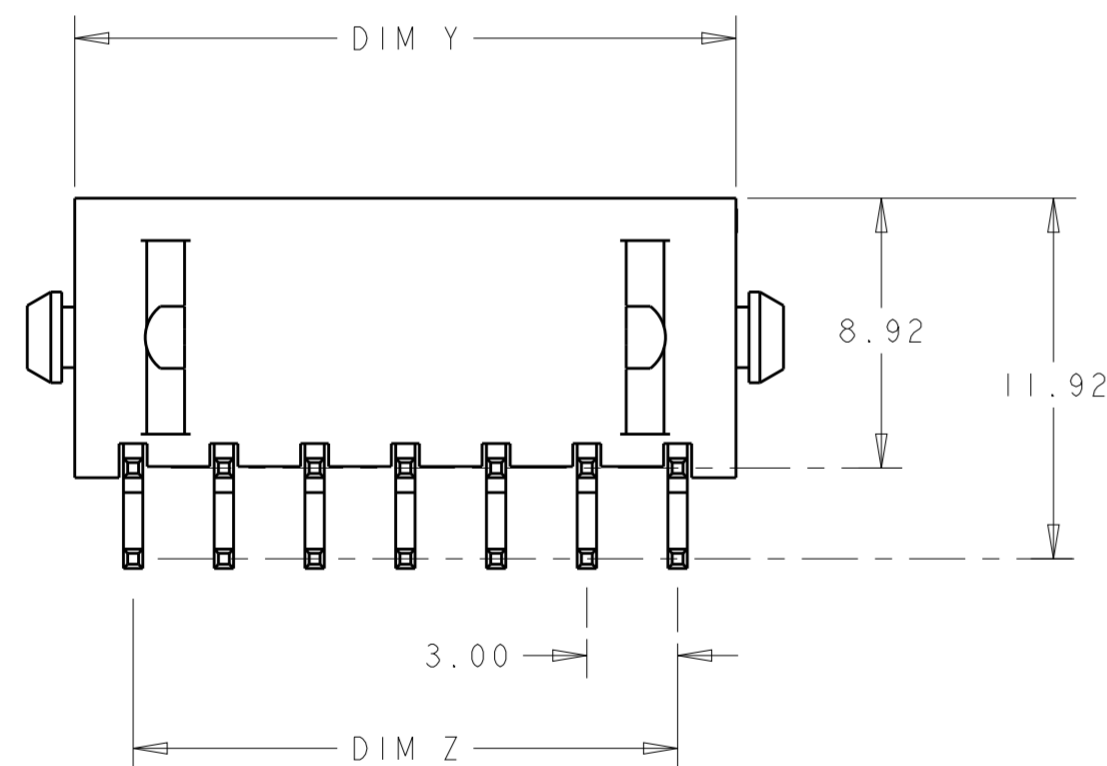


THIS DRAWING IS UNPUBLISHED. RELEASED FOR PUBLICATION 20
 © COPYRIGHT 20 ALL RIGHTS RESERVED.

REVISIONS					
P	LTR	DESCRIPTION	DATE	DWN	APVD
F2		REVISED PER ECR-17-015686	24OCT2017	JB	DZ
F3		ECO-19-006502	29APR2019	AP	WS
F4		REVISED PER ECN-20-100750	07DEC2020	WLS	VS



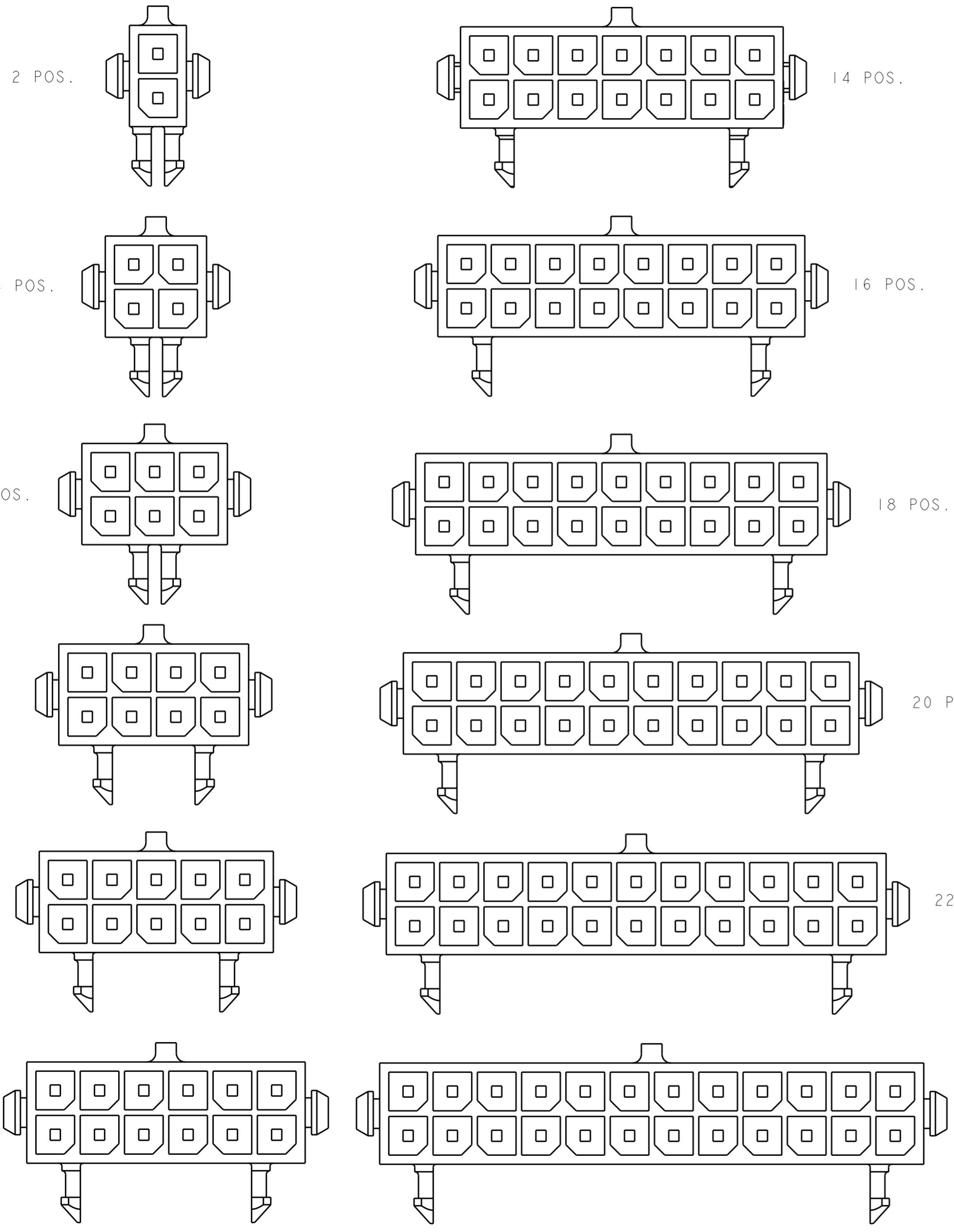
- ① MATERIAL: HOUSING - UL 94V-0 RATED HIGH TEMP NYLON, COLOR BLACK.
CONTACTS - BRASS.
- ② RECOMMENDED PC BOARD THICKNESS OF 1.57.
- ③ FINISH: CONTACTS - 2.54µm MINIMUM MATTE TIN OVER 1.27µm MINIMUM NICKEL.
- 4 COUNTERPART RECOMMENDED IS PN 794617 (DASH ACCORDING TO NUMBER OF POSITION).
- 5 FOR REELING DIRECTION AND PACKAGING TYPE, SEE SPECIFICATION 114-13000.



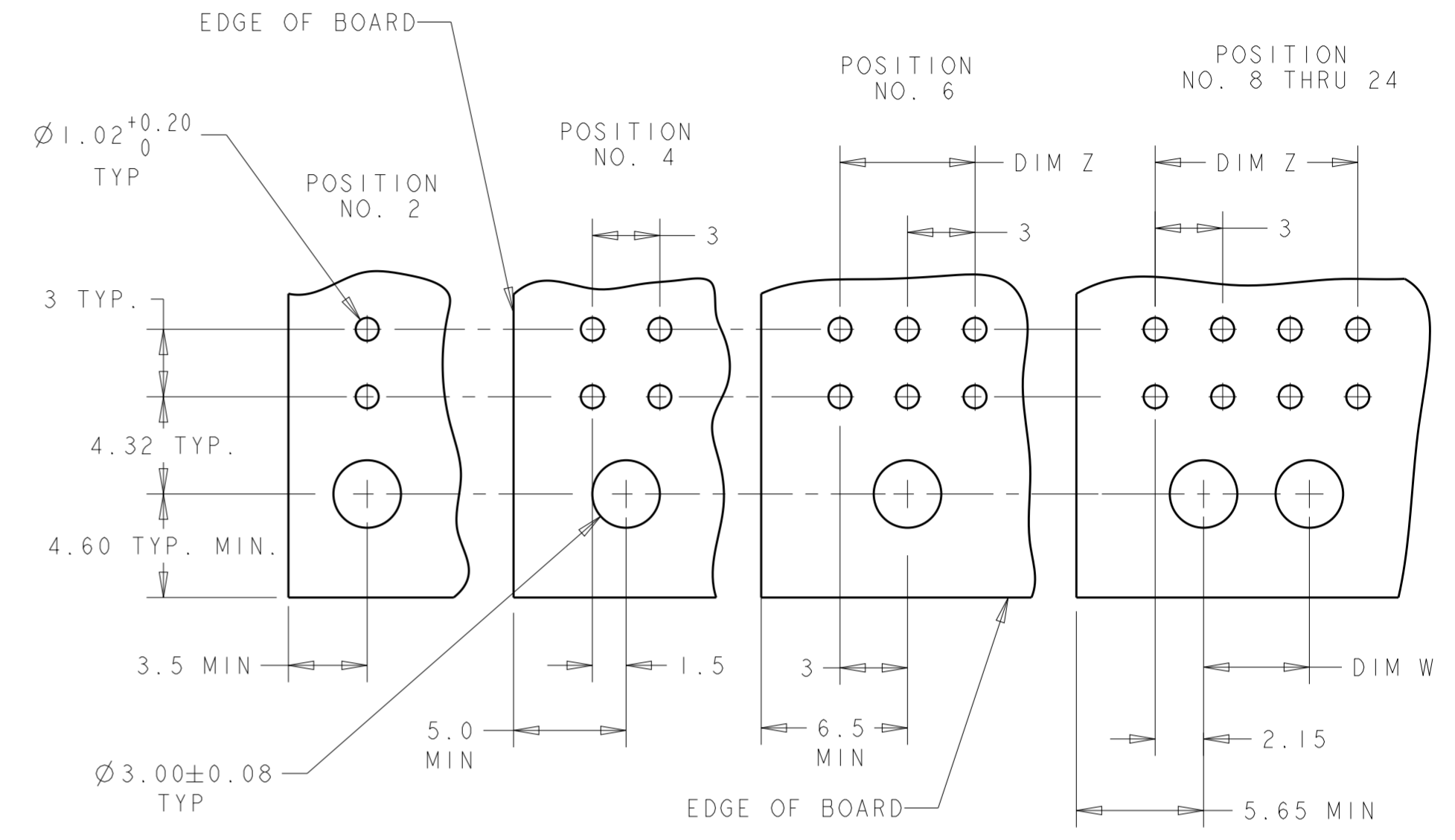
36.86	28.70	33.00	40.00	24	5-794618-4
33.86	25.70	30.00	37.00	22	5-794618-2
30.86	22.70	27.00	34.00	20	5-794618-0
27.86	19.70	24.00	31.00	18	4-794618-8
24.86	16.70	21.00	28.00	16	4-794618-6
21.86	13.70	18.00	25.00	14	4-794618-4
18.86	10.70	15.00	22.00	12	4-794618-2
15.86	7.70	12.00	19.00	10	4-794618-0
12.86	4.70	9.00	16.00	8	3-794618-8
9.86	-	6.00	13.00	6	3-794618-6
6.86	-	-	10.00	4	3-794618-4
3.86	-	-	7.00	2	3-794618-2
DIM Y	DIM W	DIM Z	DIM X	NO. OF POSN.	PART NUMBER

THIS DRAWING IS A CONTROLLED DOCUMENT.		DWN B. HAYMAKER 12AUG99	TE Connectivity		
DIMENSIONS: mm		CHK K. COBLE 12AUG99			
TOLERANCES UNLESS OTHERWISE SPECIFIED:		APVD K. COBLE 12AUG99			
0 PLC ± 1 PLC ± 2 PLC ±0.13 3 PLC ± 4 PLC ± ANGLES ±1° FINISH		PRODUCT SPEC 108-1836 APPLICATION SPEC 114-13000 WEIGHT -			
MATERIAL ①		NAME THRU-HOLE, R/A, TIN HEADER, PLASTIC BOARDLOCK, DUAL ROW, MICRO MATE-N-LOK™		SIZE A2	CAGE CODE p0779
③		DRAWING NO C-794618		RESTRICTED TO -	SCALE 4:1
CUSTOMER DRAWING			SHEET 1	OF 2	REV F4


REVISIONS				
P	LTR	DESCRIPTION	DATE	APVD
-		SEE SHEET 1		



KEYING BY POSITION SIZE



RECOMMENDED PCB LAYOUT (COMPONENT SIDE)

THIS DRAWING IS A CONTROLLED DOCUMENT.		DWN B. HAYMAKER 12AUG99	 TE Connectivity
		CHK K. COBLE 12AUG99	
		APVD K. COBLE 12AUG99	
		PRODUCT SPEC 108-1836	
DIMENSIONS: mm		APPLICATION SPEC 114-13000	NAME THRU-HOLE, R/A, TIN HEADER, PLASTIC BOARDLOCK, DUAL ROW, MICRO MATE-N-LOK
TOLERANCES UNLESS OTHERWISE SPECIFIED:		WEIGHT -	SIZE A20779
0 PLC ±	1 PLC ±	CUSTOMER DRAWING	CAGE CODE G-794618
2 PLC ±0.13	3 PLC ±	SCALE 4:1	DRAWING NO. 794618
4 PLC ±	ANGLES ±1°	SHEET 2 OF 2	RESTRICTED TO -
FINISH -	-	REV F4	