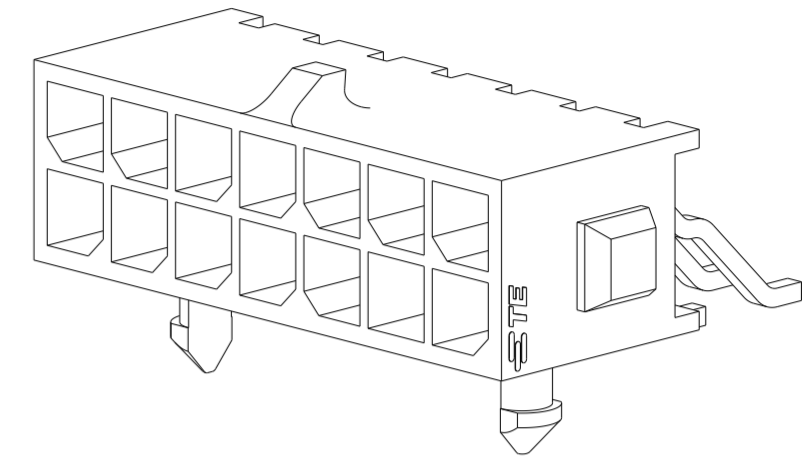
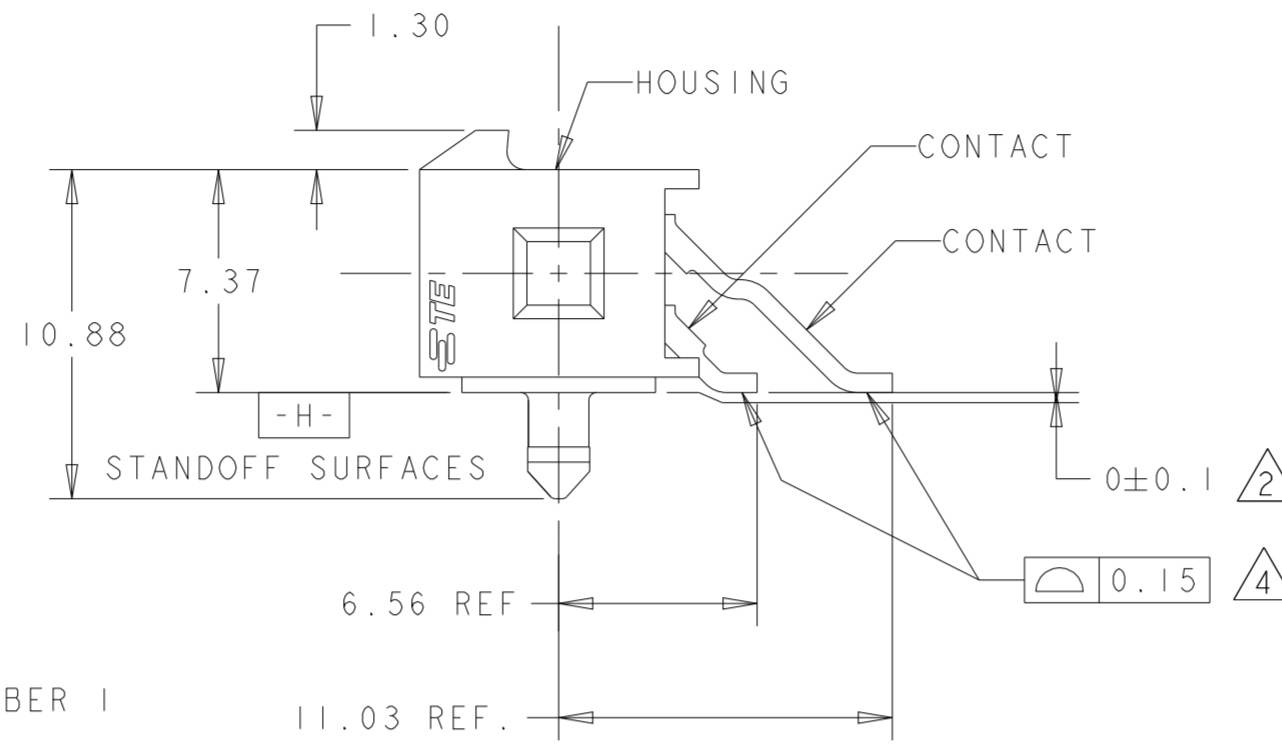
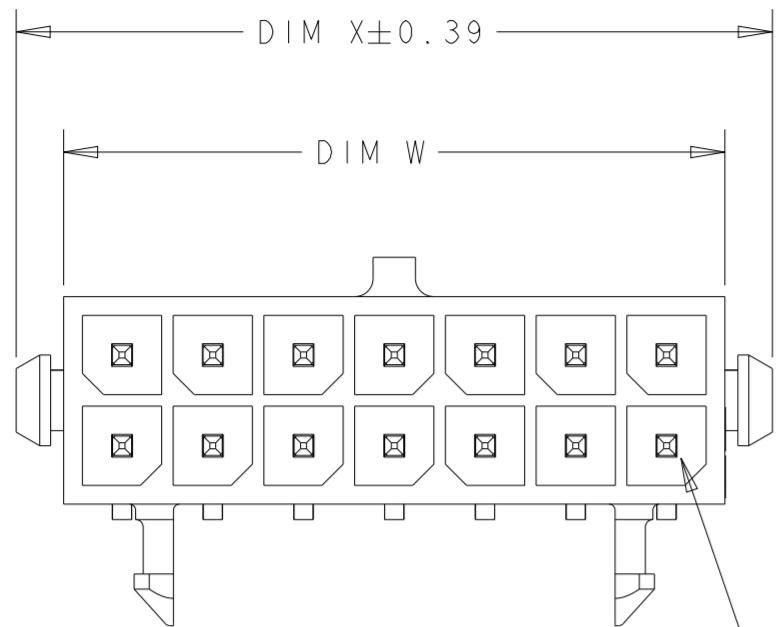
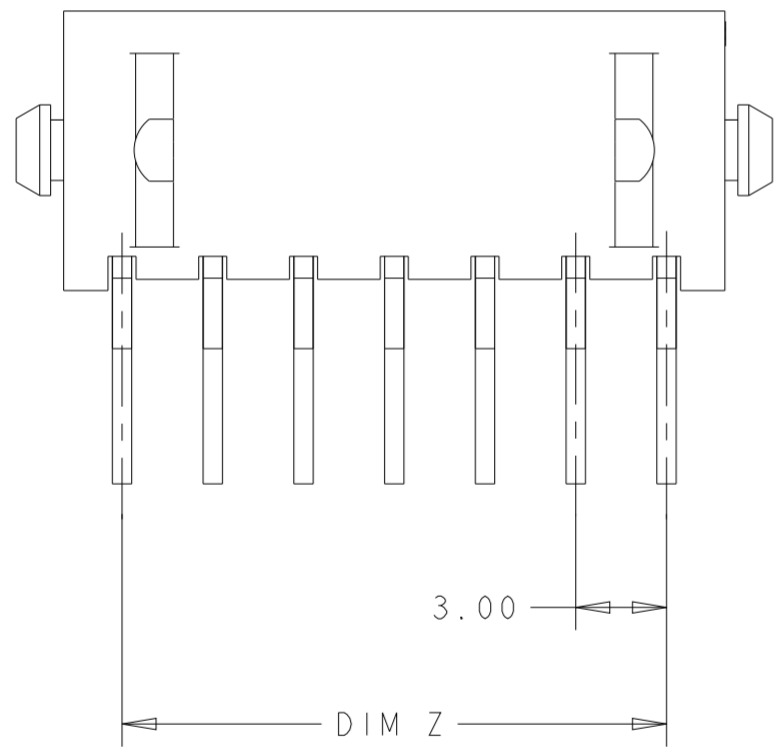


P	LTR	DESCRIPTION	DATE	DWN	APVD
G5		REVISED PER ECN-23-240910	24NOV2023	WLS	VS



CIRCUIT NUMBER 1



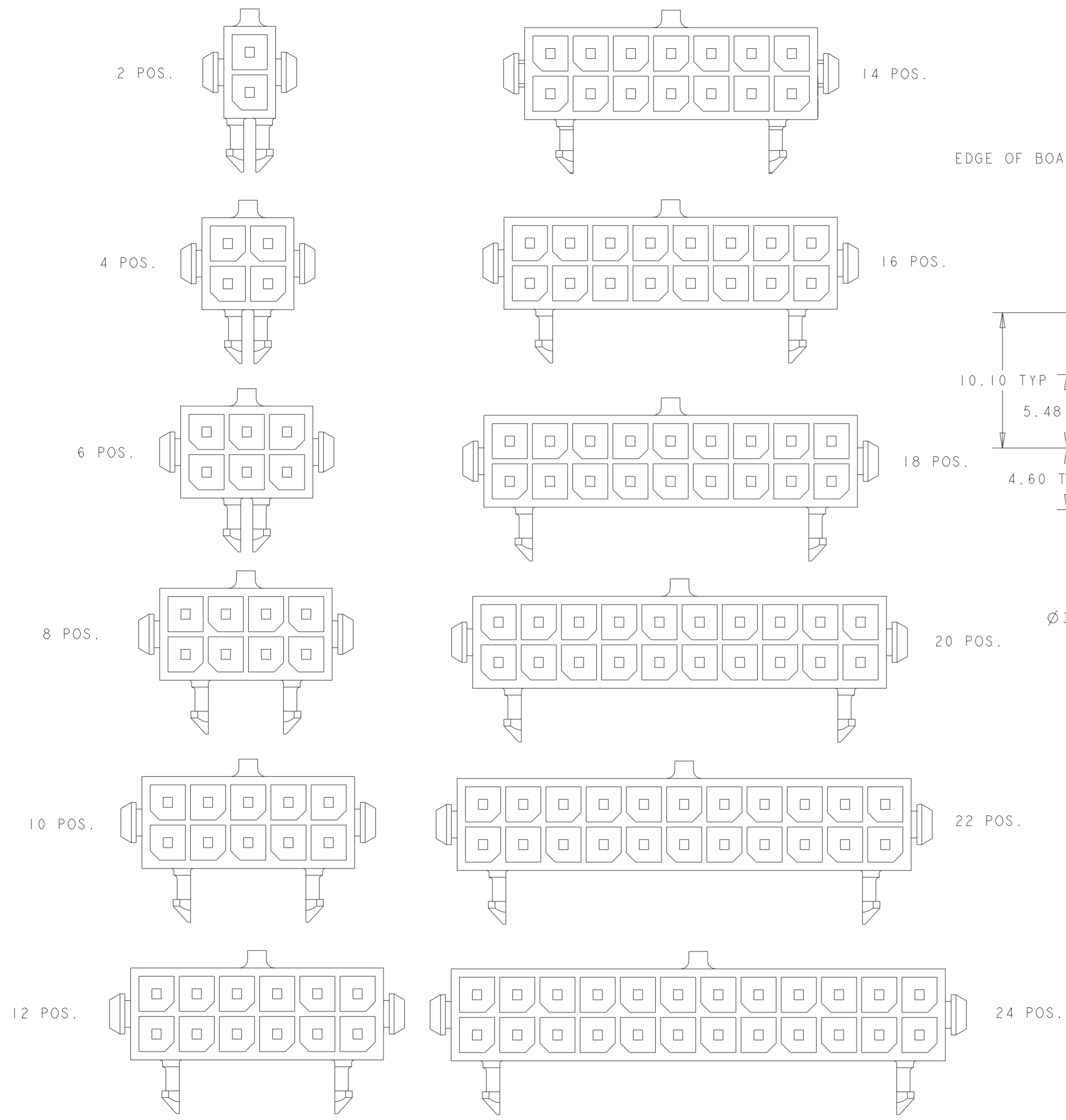
- 1 MATERIAL;  
HOUSING - UL 94V-0 RATED HIGH TEMP NYLON, COLOR BLACK.  
CONTACTS - BRASS.
  - 2 DIMENSION APPLIES TO SOLDERTAIL SURFACES AND STANDOFF SURFACES.
  - 3 RECOMMENDED PC BOARD THICKNESS OF 1.57.
  - 4 ALL SOLDERTAILS.
  - 5 FINISH;  
CONTACTS - 2.54µm MINIMUM MATTE TIN OVER 1.27µm MINIMUM NICKEL.
- 6 COUNTERPART RECOMMENDED IS PN 794617 (DASH ACCORDING TO NUMBER OF POSITION).
- 7 FOR REELING DIRECTION AND PACKAGING TYPE, SEE SPECIFICATION 114-13000.

OBSOLETE	-36.86	28.70	33.00	40.00	24	5-794621-4
OBSOLETE	-33.86	25.70	30.00	37.00	22	5-794621-2
OBSOLETE	-30.86	22.70	27.00	34.00	20	5-794621-0
OBSOLETE	-27.86	19.70	24.00	31.00	18	4-794621-8
OBSOLETE	-24.86	16.70	21.00	28.00	16	4-794621-6
OBSOLETE	-21.86	13.70	18.00	25.00	14	4-794621-4
OBSOLETE	-18.86	10.70	15.00	22.00	12	4-794621-2
	15.86	7.70	12.00	19.00	10	4-794621-0
OBSOLETE	+2.86	4.70	9.00	16.00	8	3-794621-8
	9.86	-	6.00	13.00	6	3-794621-6
	6.86	-	3.00	10.00	4	3-794621-4
OBSOLETE	-3.86	-	-	7.00	2	3-794621-2
	DIM W	DIM Y	DIM Z	DIM X	NO. OF POSN.	PART NUMBER

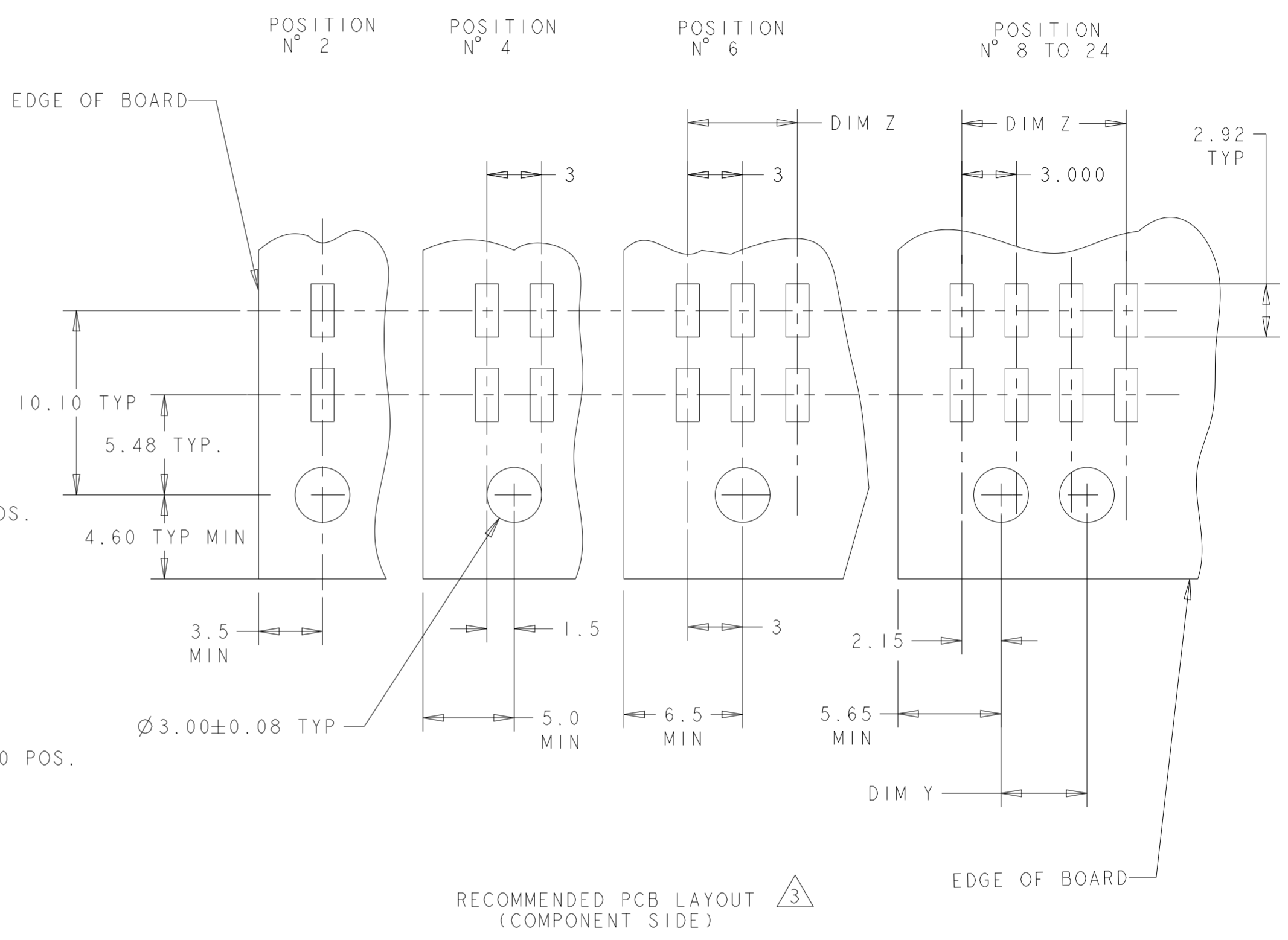
THIS DRAWING IS A CONTROLLED DOCUMENT.

DIMENSIONS: mm	TOLERANCES UNLESS OTHERWISE SPECIFIED: 0 PLC ± 1 PLC ± 2 PLC ±0.13 3 PLC ± 4 PLC ± ANGLES ±1° FINISH	DWN S. HOOVER 23-MAR-2005 CHK C. JONES 23-MAR-2005 APVD C. JONES 23-MAR-2005	TE Connectivity	
		PRODUCT SPEC 108-1836	NAME ASSEMBLY, SURFACE MOUNT, R/A, TIN HEADER, PLASTIC BOARDLOCK, MICRO MATE-N-LOK(TM)	
		APPLICATION SPEC 114-13000	SIZE A2	CAGE CODE 0779
MATERIAL 1	5	WEIGHT -	DRAWING NO C-794621	RESTRICTED TO
CUSTOMER DRAWING			SCALE 4:1	SHEET 1 OF 2 REV G5

REVISIONS				
P	LTR	DESCRIPTION	DATE	APVD
-	-	SEE SHEET 1	-	-



KEYING BY POSITION SIZE



RECOMMENDED PCB LAYOUT (COMPONENT SIDE)

THIS DRAWING IS A CONTROLLED DOCUMENT.		DWN S. HOOVER 23-MAR-2005	 TE Connectivity	NAME ASSEMBLY, SURFACE MOUNT, R/A, TIN HEADER, PLASTIC BOARDLOCK, MICRO MATE-N-LOK(TM)
DIMENSIONS: mm		CHK C. JONES 23-MAR-2005		
TOLERANCES UNLESS OTHERWISE SPECIFIED:		APVD C. JONES 23-MAR-2005		
0 PLC ± 1 PLC ± 2 PLC ±0.13 3 PLC ± 4 PLC ± ANGLES ±° FINISH		PRODUCT SPEC 108-1836 APPLICATION SPEC 114-13000 WEIGHT -		
MATERIAL -		CUSTOMER DRAWING	SIZE A20779	CAGE CODE C-794621
		SCALE 4:1	SHEET 2 OF 2	REV G5