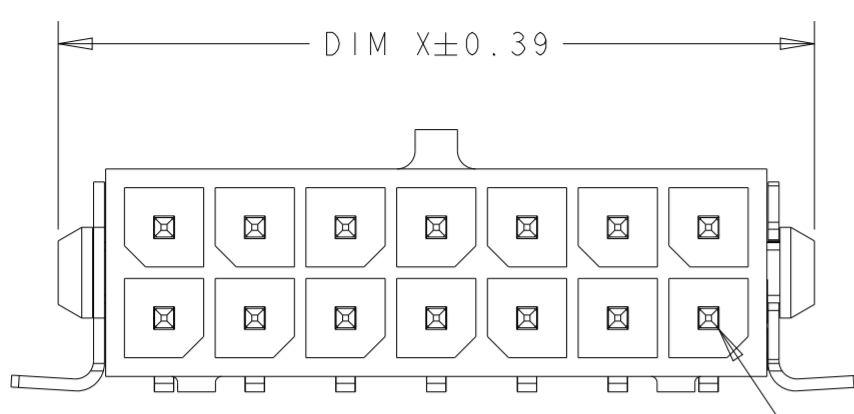
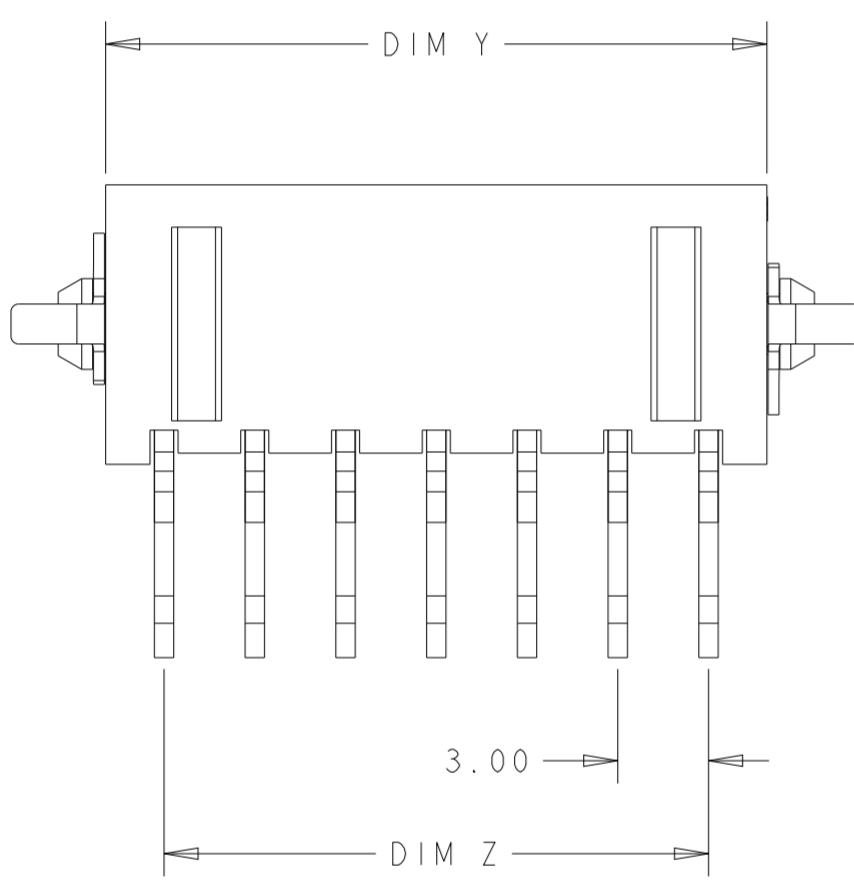
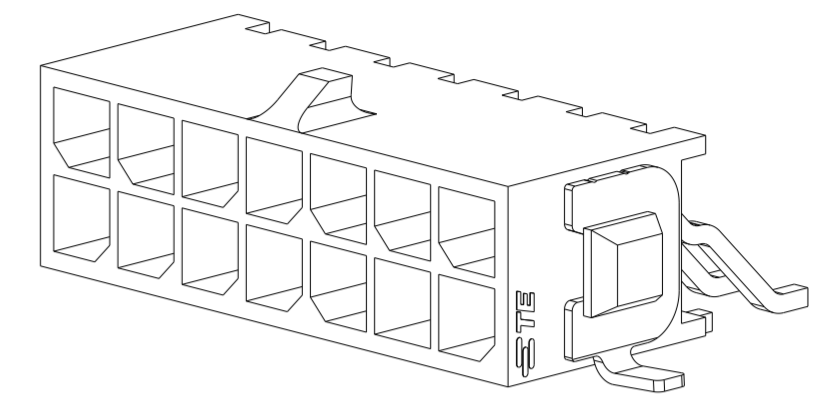
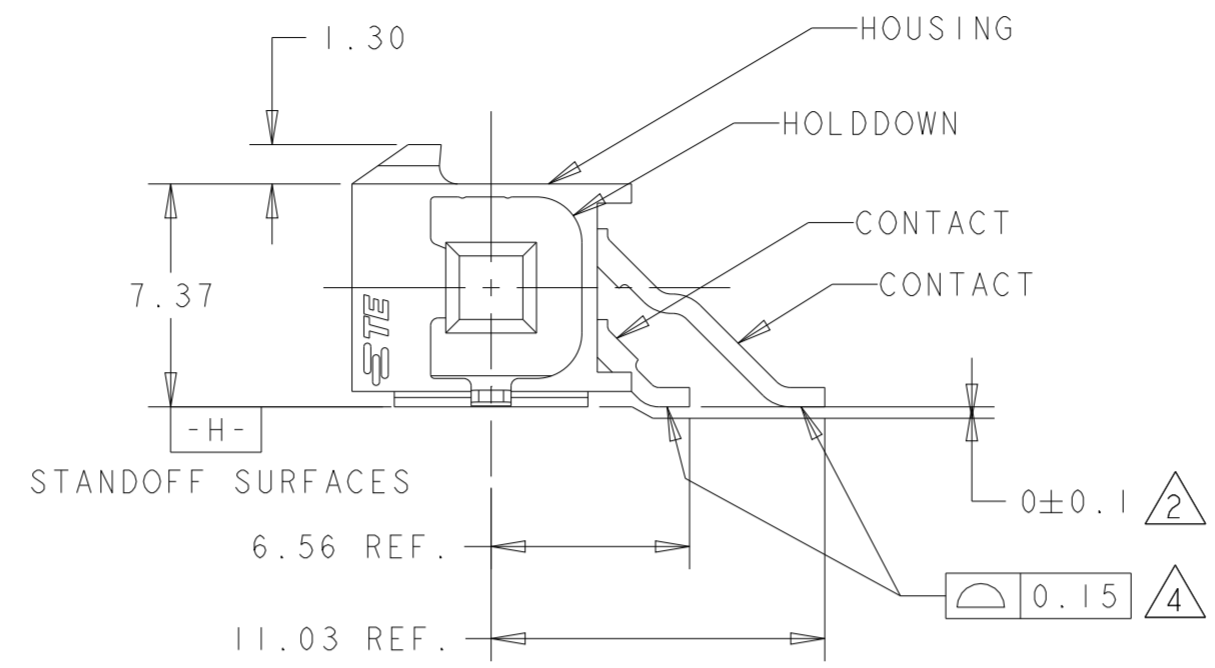


THIS DRAWING IS UNPUBLISHED. RELEASED FOR PUBLICATION 20  
 © COPYRIGHT 20 BY - ALL RIGHTS RESERVED.

REVISIONS					
P	LTR	DESCRIPTION	DATE	DWN	APVD
H5		REVISED PER ECR-22-160768	23JUN2022	WLS	VS
H6		REVISED PER ECN-23-240910	24NOV2023	WLS	VS



CIRCUIT NUMBER 1



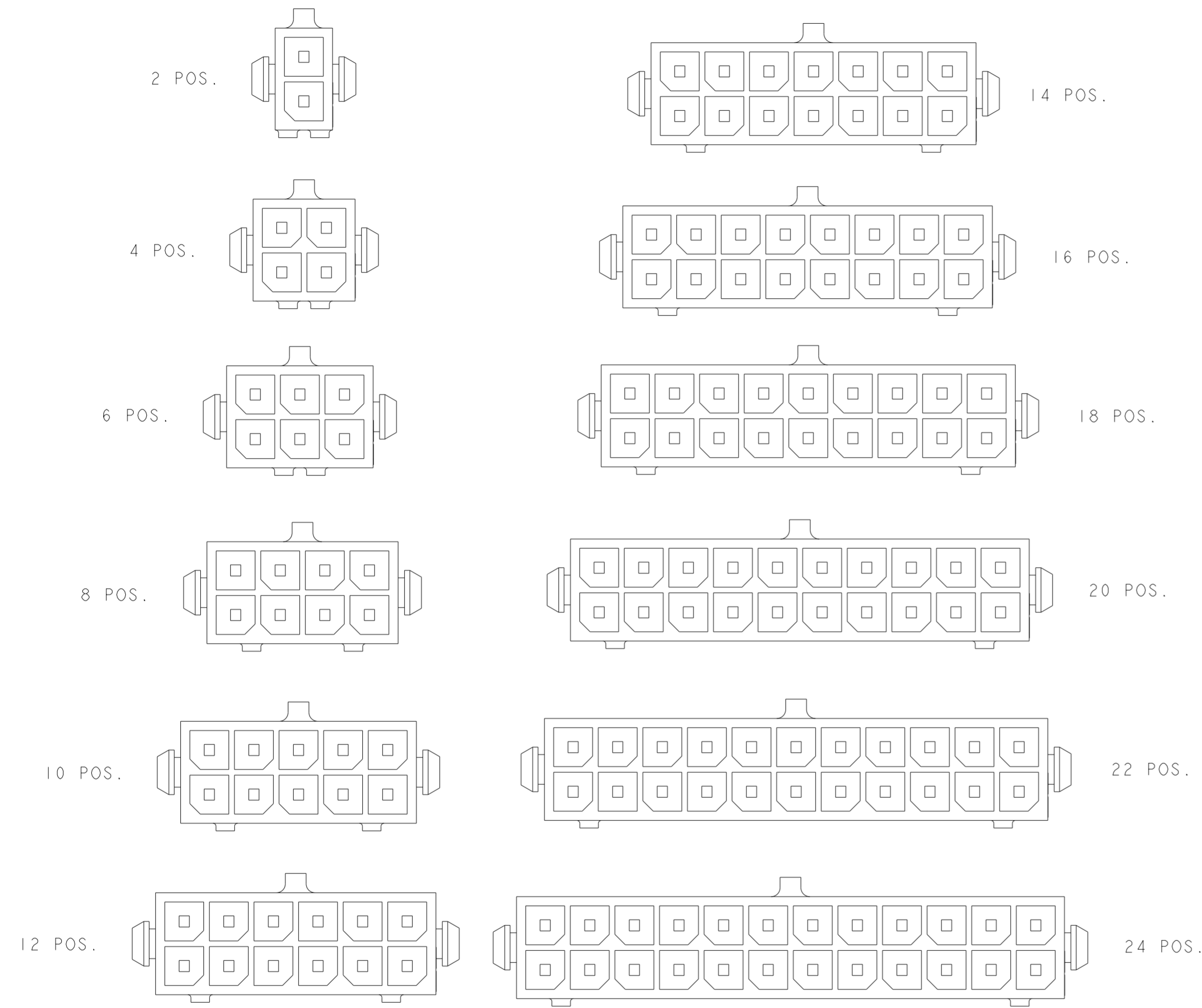
- 1 MATERIAL;  
 HOUSING - UL 94V-0 RATED HIGH TEMP NYLON, COLOR BLACK.  
 CONTACTS - BRASS.  
 HOLDDOWNS - PHOSPHOR BRONZE.
- 2 DIMENSION APPLIES TO SOLDER TAIL SURFACES AND STANDOFF SURFACES.
- 3 RECOMMENDED PC BOARD THICKNESS OF 1.57.
- 4 ALL SOLDER TAILS AND HOLDDOWNS.
- 5 PLATING;  
 CONTACTS - 0.38µm MINIMUM GOLD ON MATING AREA.  
 2.54µm MINIMUM MATTE TIN ON SOLDER TAIL.  
 ALL OVER 1.27µm MINIMUM NICKEL.  
 HOLDDOWNS - 2.54µm MINIMUM MATTE TIN OVER 1.27µm MINIMUM NICKEL.
- 6 COUNTERPART RECOMMENDED IS PN 794617 (DASH ACCORDING TO NUMBER OF POSITION).
- 7 FOR REELING DIRECTION AND PACKAGING TYPE, SEE SPECIFICATION 114-13000.

	36.86	40.27	33.00	40.00	24	5-794628-4
OBSOLETE	<del>33.86</del>	<del>37.27</del>	<del>30.00</del>	<del>37.00</del>	<del>22</del>	<del>5-794628-2</del>
	30.86	34.27	27.00	34.00	20	5-794628-0
OBSOLETE	<del>27.86</del>	<del>31.27</del>	<del>24.00</del>	<del>31.00</del>	<del>18</del>	<del>4-794628-8</del>
OBSOLETE	<del>24.86</del>	<del>28.27</del>	<del>21.00</del>	<del>28.00</del>	<del>16</del>	<del>4-794628-6</del>
OBSOLETE	<del>21.86</del>	<del>25.27</del>	<del>18.00</del>	<del>25.00</del>	<del>14</del>	<del>4-794628-4</del>
	18.86	22.27	15.00	22.00	12	4-794628-2
	15.86	19.27	12.00	19.00	10	4-794628-0
	12.86	16.27	9.00	16.00	8	3-794628-8
	9.86	13.27	6.00	13.00	6	3-794628-6
	6.86	10.27	3.00	10.00	4	3-794628-4
OBSOLETE	<del>3.86</del>	<del>7.27</del>	-	<del>7.00</del>	<del>2</del>	<del>3-794628-2</del>
	DIM Y	DIM W	DIM Z	DIM X	NO. OF POSN.	PART NUMBER

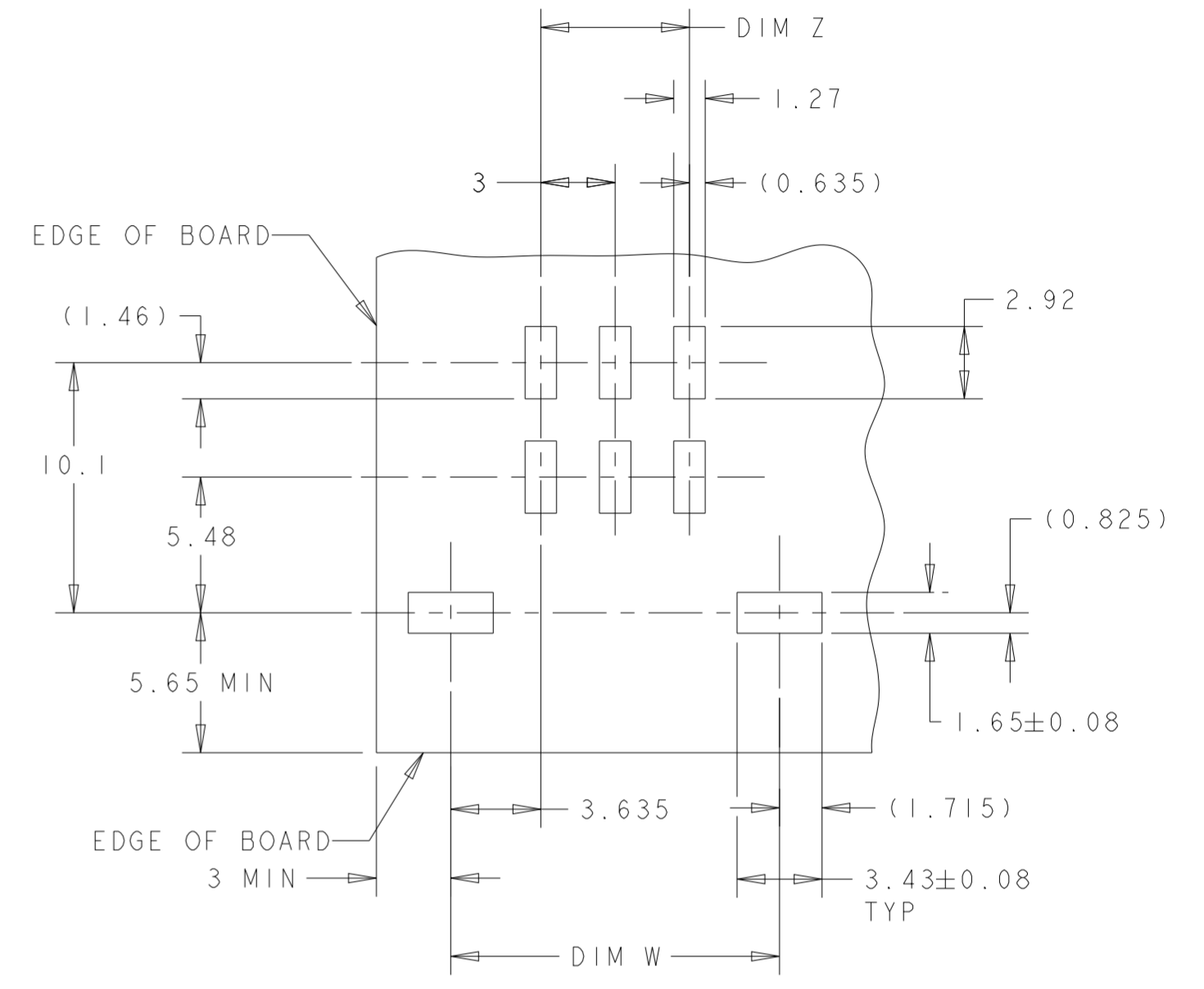
THIS DRAWING IS A CONTROLLED DOCUMENT.		DWN K. WHITAKER 19MAR2003	TE Connectivity		
DIMENSIONS: mm		CHK C. JONES 19MAR2003			
TOLERANCES UNLESS OTHERWISE SPECIFIED:		APVD C. JONES 19MAR2003	NAME SURFACE MOUNT, RIGHT ANGLE, SURFACE MOUNT HOLDDOWN, ASSEMBLY, 15 GOLD HEADER, DUAL ROW, MICRO MATE-N-LOK™		
0 PLC ± 1 PLC ± 2 PLC ±0.20 3 PLC ± 4 PLC ± ANGLES ±1° FINISH		PRODUCT SPEC 108-1836	SIZE A2	CAGE CODE p0779	DRAWING NO. C-794628
MATERIAL 1		APPLICATION SPEC 114-13000	RESTRICTED TO -	SCALE 4:1 SHEET 1 OF 2 REV H6	
		WEIGHT -	CUSTOMER DRAWING		

THIS DRAWING IS UNPUBLISHED. RELEASED FOR PUBLICATION 20  
 © COPYRIGHT 20 BY - ALL RIGHTS RESERVED.

REVISIONS				
P	LTR	DESCRIPTION	DATE	APVD
-	-	SEE SHEET 1	-	-



KEYING BY POSITION SIZE



RECOMMENDED PCB LAYOUT (3)  
 (COMPONENT SIDE)

THIS DRAWING IS A CONTROLLED DOCUMENT.		DWN K. WHITAKER 19MAR2003	TE Connectivity
DIMENSIONS: mm		CHK C. JONES 19MAR2003	
TOLERANCES UNLESS OTHERWISE SPECIFIED:		APVD C. JONES 19MAR2003	NAME SURFACE MOUNT, RIGHT ANGLE, SURFACE MOUNT HOLDDOWN, ASSEMBLY, 15 GOLD HEADER, DUAL ROW, MICRO MATE-N-LOK
0 PLC ±	1 PLC ±	PRODUCT SPEC 108-1836	SIZE A20779
2 PLC ±0.20	3 PLC ±	APPLICATION SPEC 114-13000	CAGE CODE C-794628
4 PLC ±	ANGLES ±1°	WEIGHT -	DRAWING NO -
MATERIAL -	FINISH -	CUSTOMER DRAWING	RESTRICTED TO -
		SCALE 4:1	SHEET 2 OF 2
			REV H6