

4

3

2

1

THIS DRAWING IS UNPUBLISHED. RELEASED FOR PUBLICATION
 © COPYRIGHT 20 BY - ALL RIGHTS RESERVED.

REVISIONS				
P	LTR	DESCRIPTION	DATE	APVD
E1		REVISED PER ECR-16-011494	21JUN2017	NK CX
E2		ECO-19-006502	25APR2019	AP WLS
E3		REVISED PER ECN-20-100750	10DEC2020	WLS VS
E4		REVISED PER ECN-23-240910	27NOV2023	WLS VS

3.60 REF.
 1.50 REF.
 DIM Z
 HOUSING
 CONTACT
 3.18
 3.00
 5

6.86
 3.00
 9.2
 SECTION Z-Z

1 MATERIAL: HOUSING - UL 94V-0 RATED HIGH TEMP. , NYLON, COLOR BLACK.
 CONTACT - BRASS.

2 MAXIMUM INSERTION 30 LBS.

3 RECOMMENDED BOARD THICKNESS 1.57.

4 FINISHING: CONTACT - 0.38 μ m MINIMUM GOLD ON MATING AREA.
 2.54 μ m MINIMUM MATTE TIN ON SOLDER TAILS.
 ALL OVER 1.27 μ m MINIMUM NICKEL.

5 CUTTING AREA REGION, NO PLATING IS PRESENT.

6 COUNTERPART RECOMMENDED IS PN 794617 (DASH ACCORDING TO NUMBER OF POSITION).

7 FOR REELING DIRECTION AND PACKAGING TYPE, SEE SPECIFICATION 114-13000.

DIM Y
 8.7
 DIM X REF
 CIRCUIT NUMBER I
 RETENTION FEATURE LOCATED ON END CONTACTS ONLY
 4 PLC REF
 2

	40.00	33.00	36.86	24	5-794631-4
OBSOLETE	37.00	30.00	33.86	22	5-794631-2
OBSOLETE	34.00	27.00	30.86	20	5-794631-0
	31.00	24.00	27.86	18	4-794631-8
	28.00	21.00	24.86	16	4-794631-6
OBSOLETE	25.00	18.00	21.86	14	4-794631-4
	22.00	15.00	18.86	12	4-794631-2
	19.00	12.00	15.86	10	4-794631-0
	16.00	9.00	12.86	8	3-794631-8
	13.00	6.00	9.86	6	3-794631-6
	10.00	3.00	6.86	4	3-794631-4
	7.00	-	3.86	2	3-794631-2
	DIM Y	DIM Z	DIM X	NO. OF POSN.	PART NUMBER

THIS DRAWING IS A CONTROLLED DOCUMENT.		DWN B. HAYMAKER 16AUG99	TE Connectivity		
DIMENSIONS: mm [INCHES]		CHK K. COBLE 16AUG99			
TOLERANCES UNLESS OTHERWISE SPECIFIED:		APVD K. COBLE 16AUG99	NAME VERTICAL HEADER ASSEMBLY, THRU HOLE, 15 GOLD, DUAL ROW, MICRO MATE-N-LOK TM		
0 PLC ± 1 PLC ± 2 PLC ±0.20 [.008] 3 PLC ± 4 PLC ±		PRODUCT SPEC 108-1836	SIZE A2	CAGE CODE 00779	DRAWING NO G-794631
ANGLES ±° FINISH		APPLICATION SPEC 114-13000	RESTRICTED TO		
MATERIAL		WEIGHT -	SCALE 4:1	SHEET 1 OF 2	REV E4
1		CUSTOMER DRAWING			
4					

1471-9 (3/13)

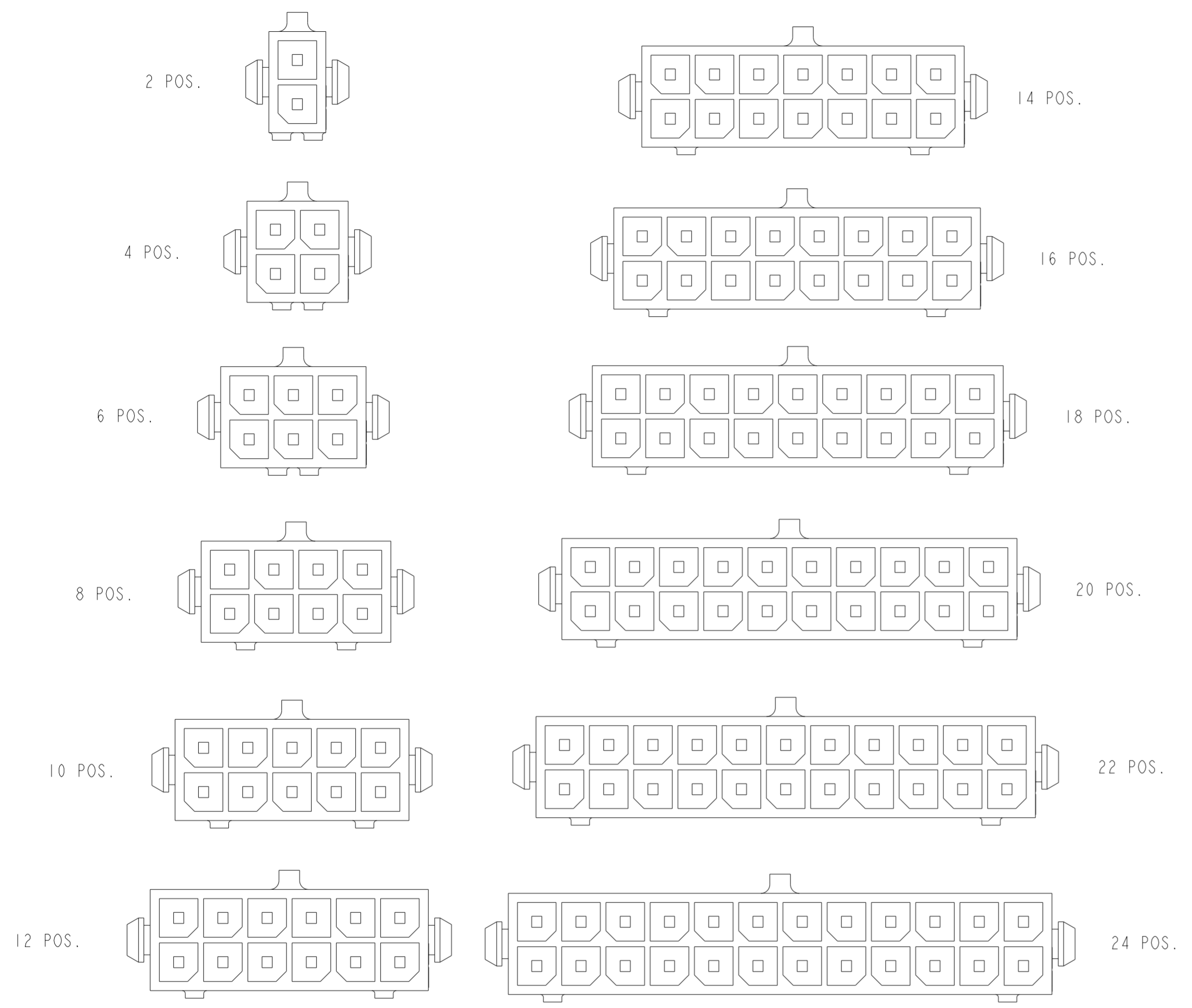
794631

B

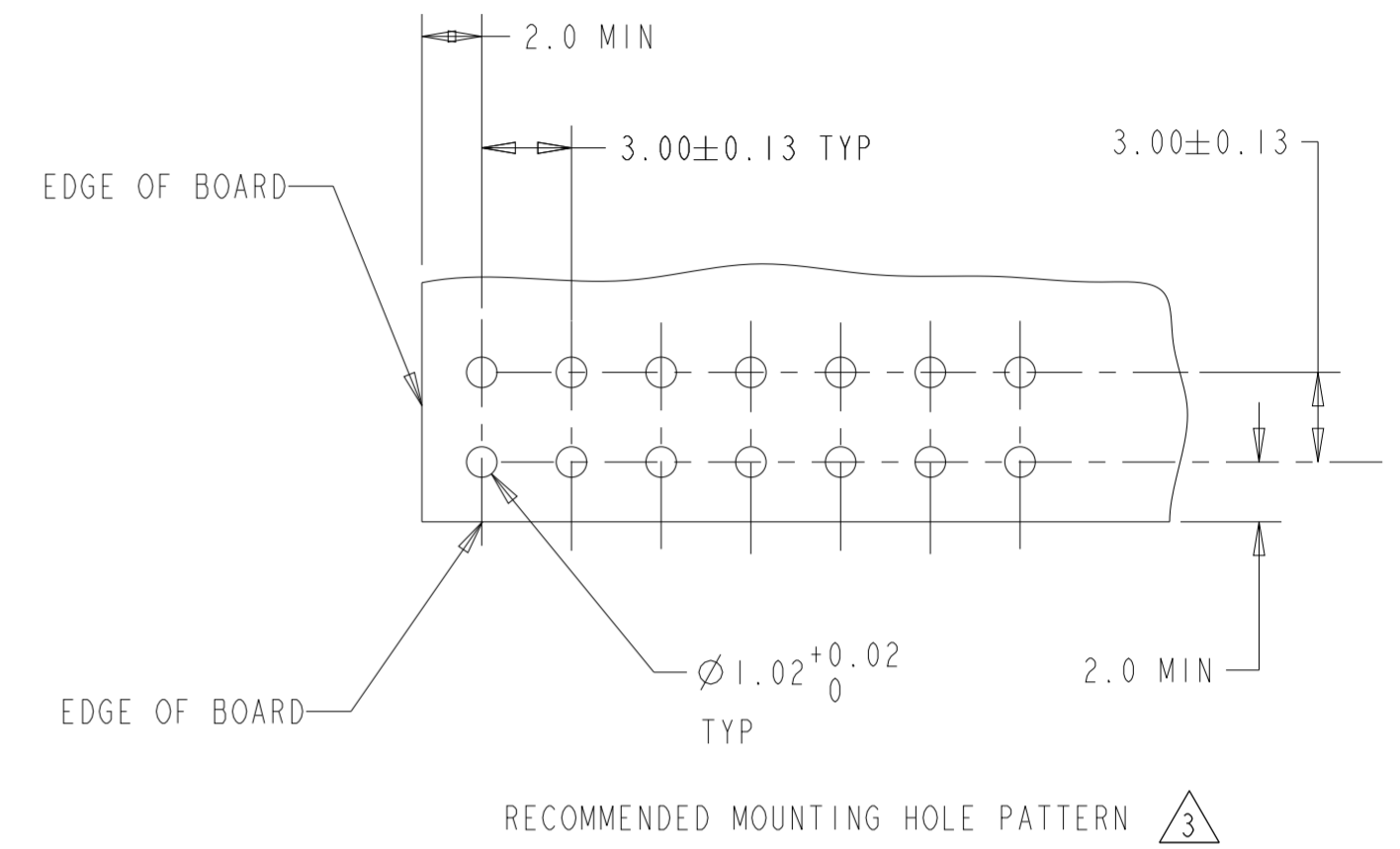
A

THIS DRAWING IS UNPUBLISHED. RELEASED FOR PUBLICATION
 © COPYRIGHT 20 BY - ALL RIGHTS RESERVED.

REVISIONS				
P	LTR	DESCRIPTION	DATE	APVD
-	-	SEE SHEET 1	-	-



KEYING BY POSITION SIZE



THIS DRAWING IS A CONTROLLED DOCUMENT.		DWN B. HAYMAKER 16AUG99	TE Connectivity	
DIMENSIONS: mm [INCHES]		CHK K. COBLE 16AUG99		
TOLERANCES UNLESS OTHERWISE SPECIFIED:		APVD K. COBLE 16AUG99	NAME VERTICAL HEADER ASSEMBLY, THRU HOLE, 15 GOLD, DUAL ROW, MICRO MATE-N-LOK	
0 PLC ±	1 PLC ±	PRODUCT SPEC 108-1836	SIZE A2	CAGE CODE 00779
2 PLC ±0.20 [.008]	3 PLC ±	APPLICATION SPEC 114-13000	DRAWING NO G-794631	RESTRICTED TO -
4 PLC ±	ANGLES ±°	WEIGHT -	SCALE 3:1 SHEET 2 OF 2 REV E4	
MATERIAL -	FINISH -	CUSTOMER DRAWING		