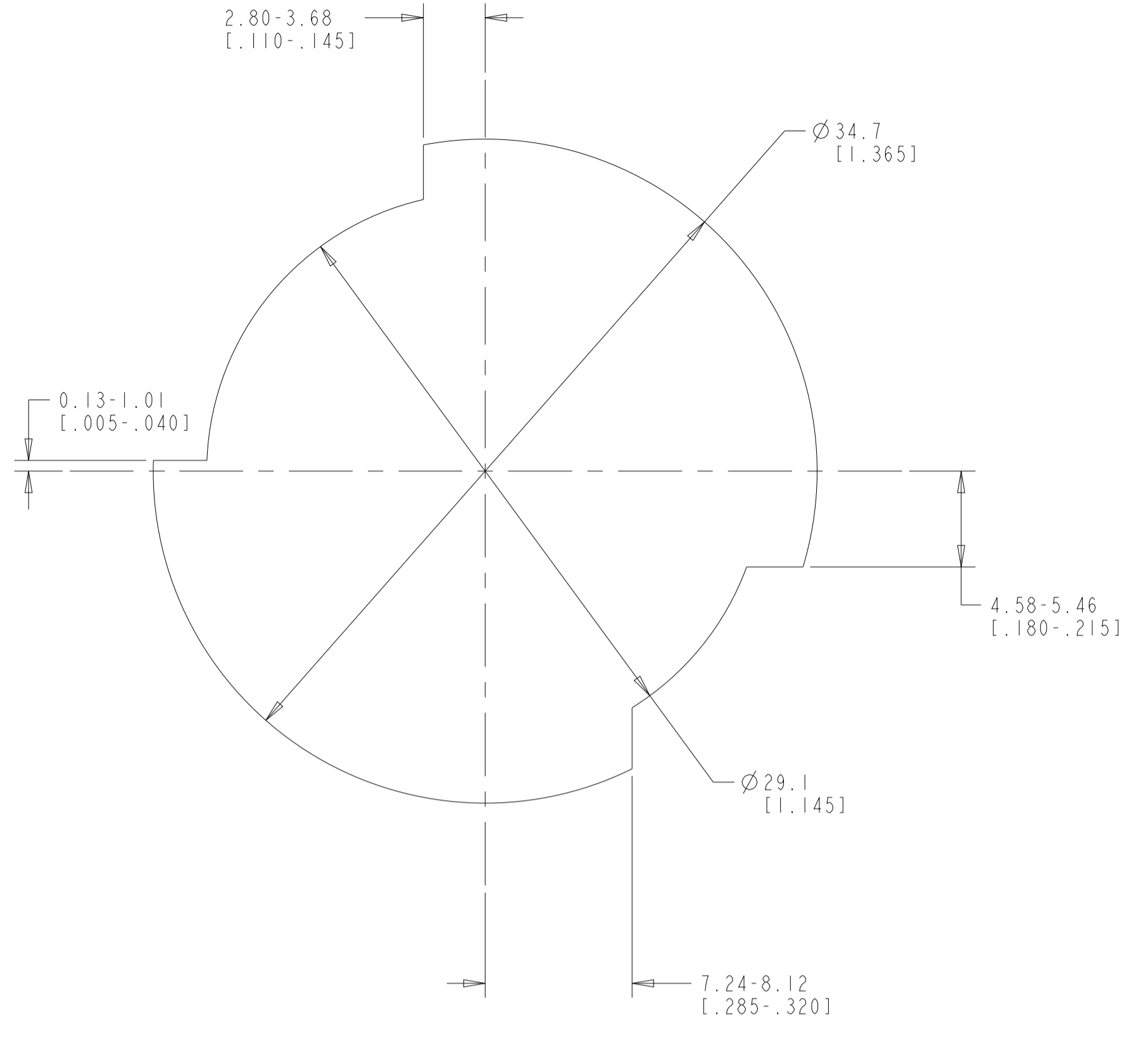
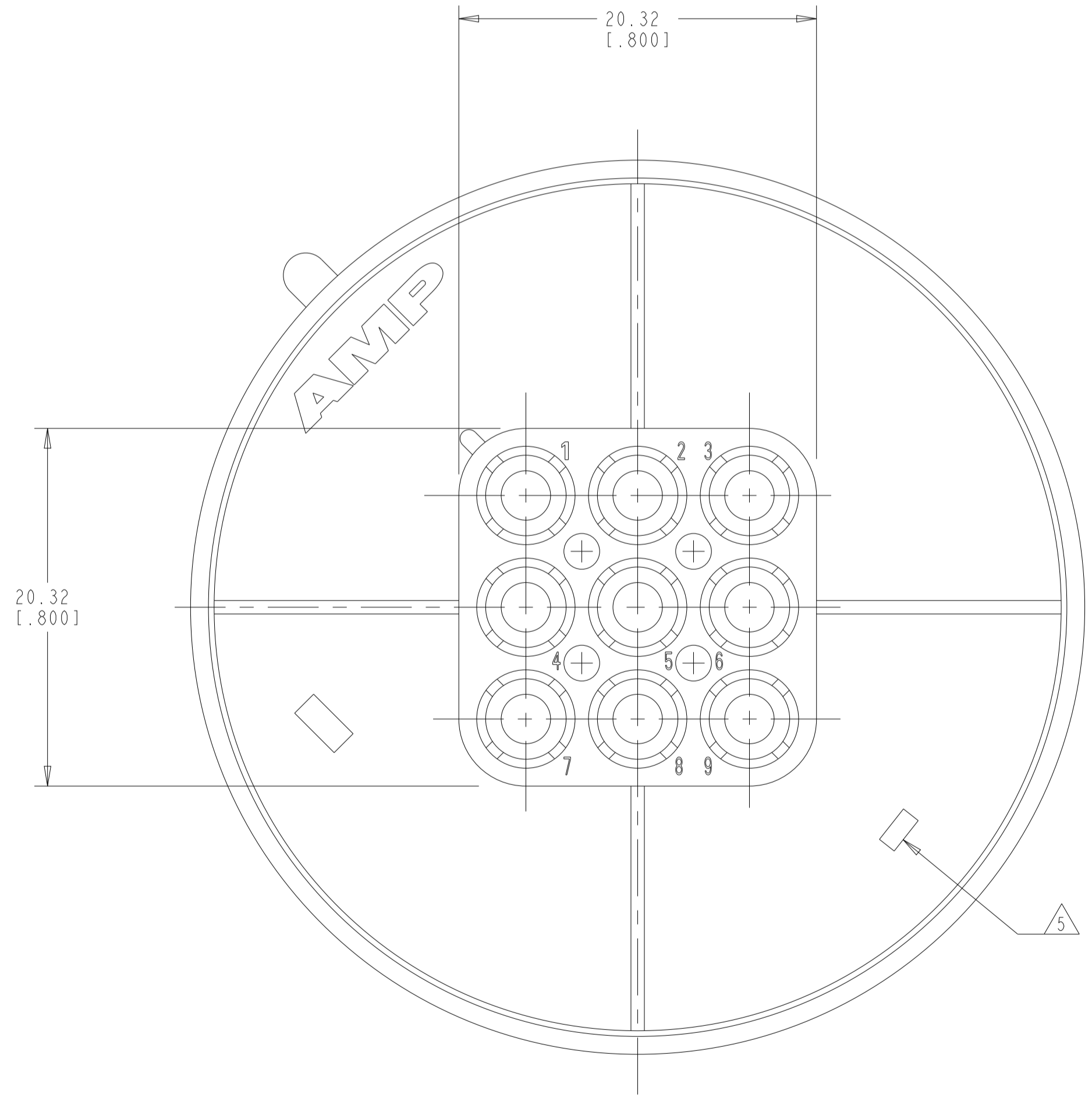
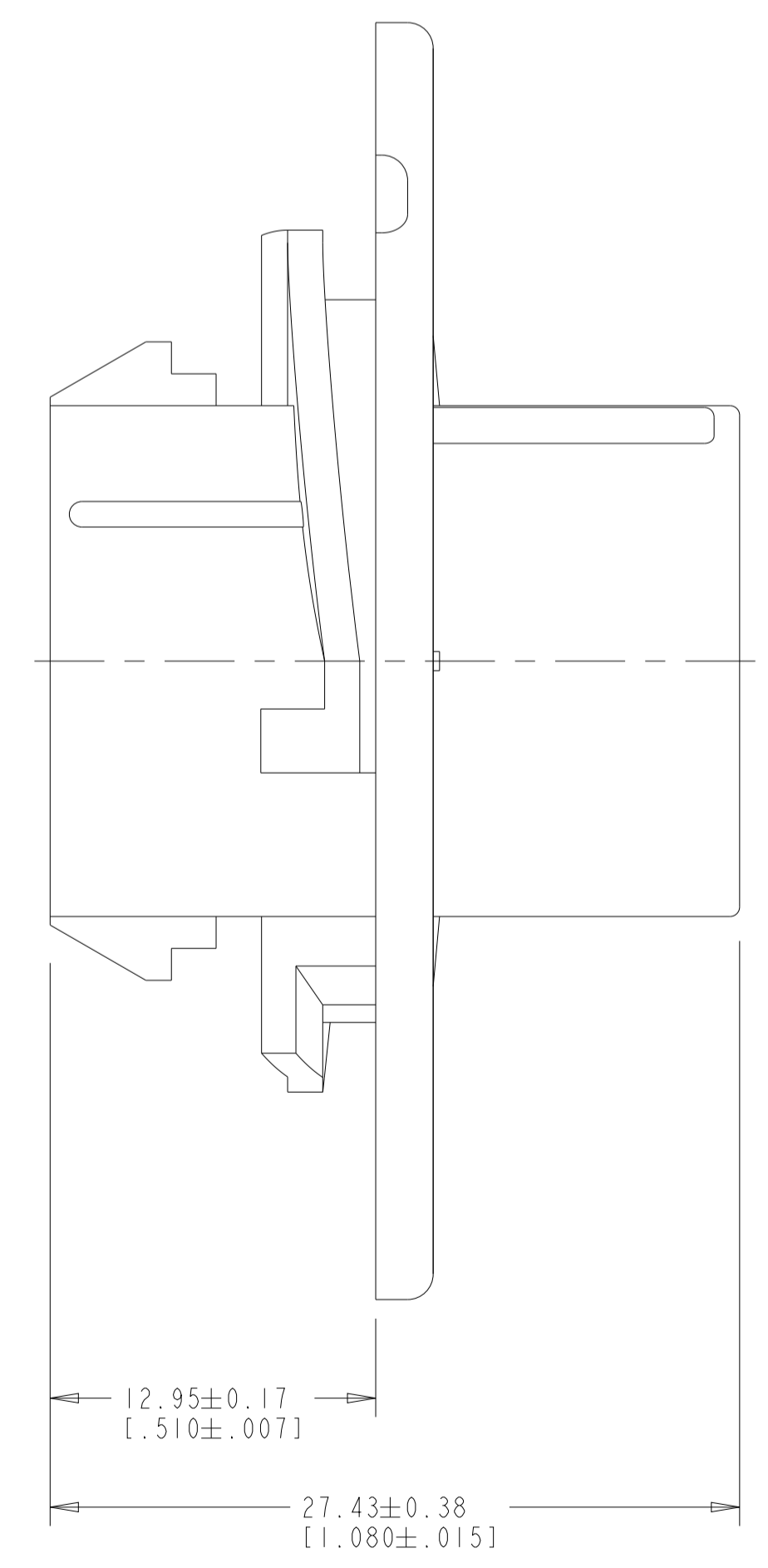
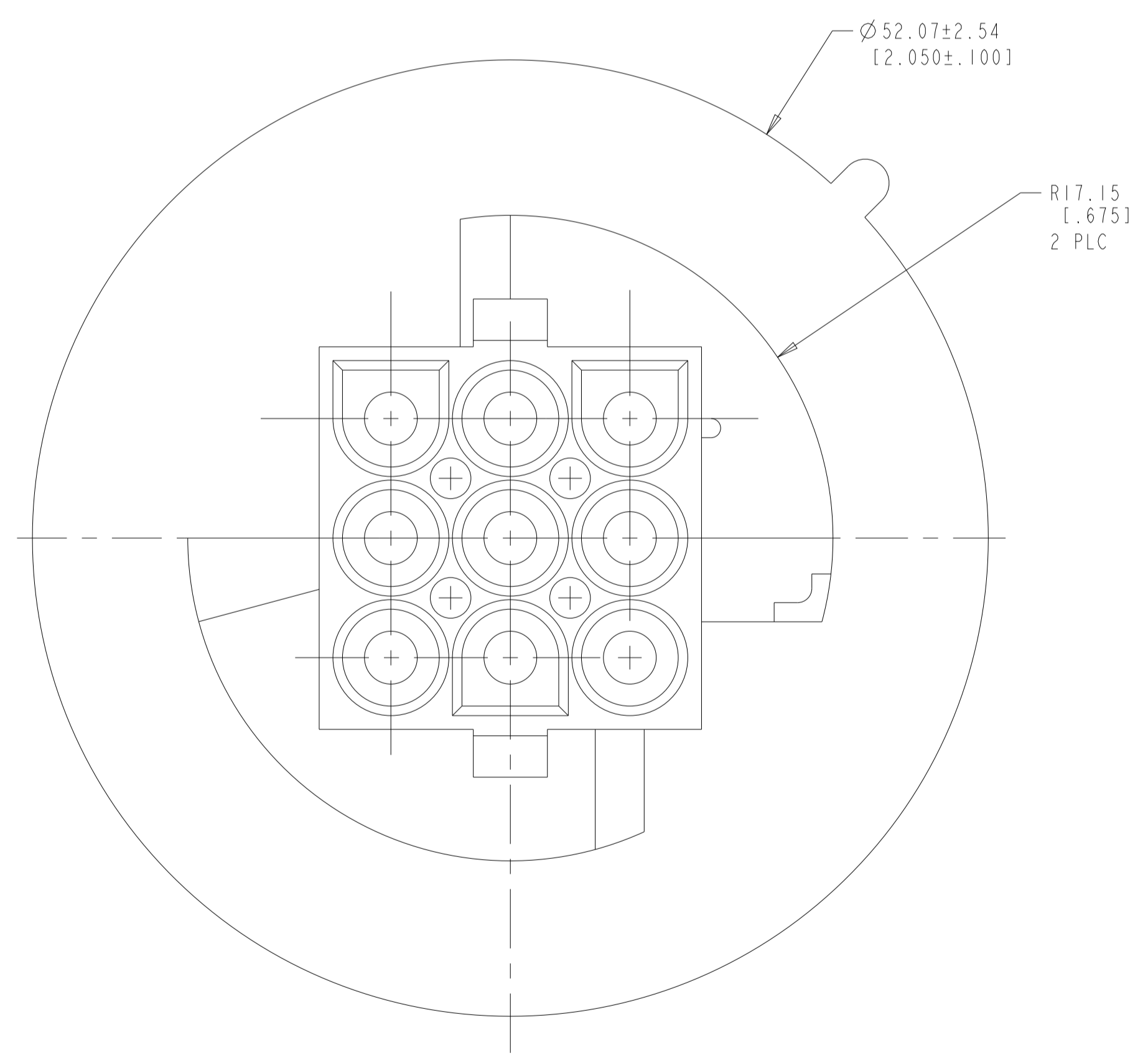
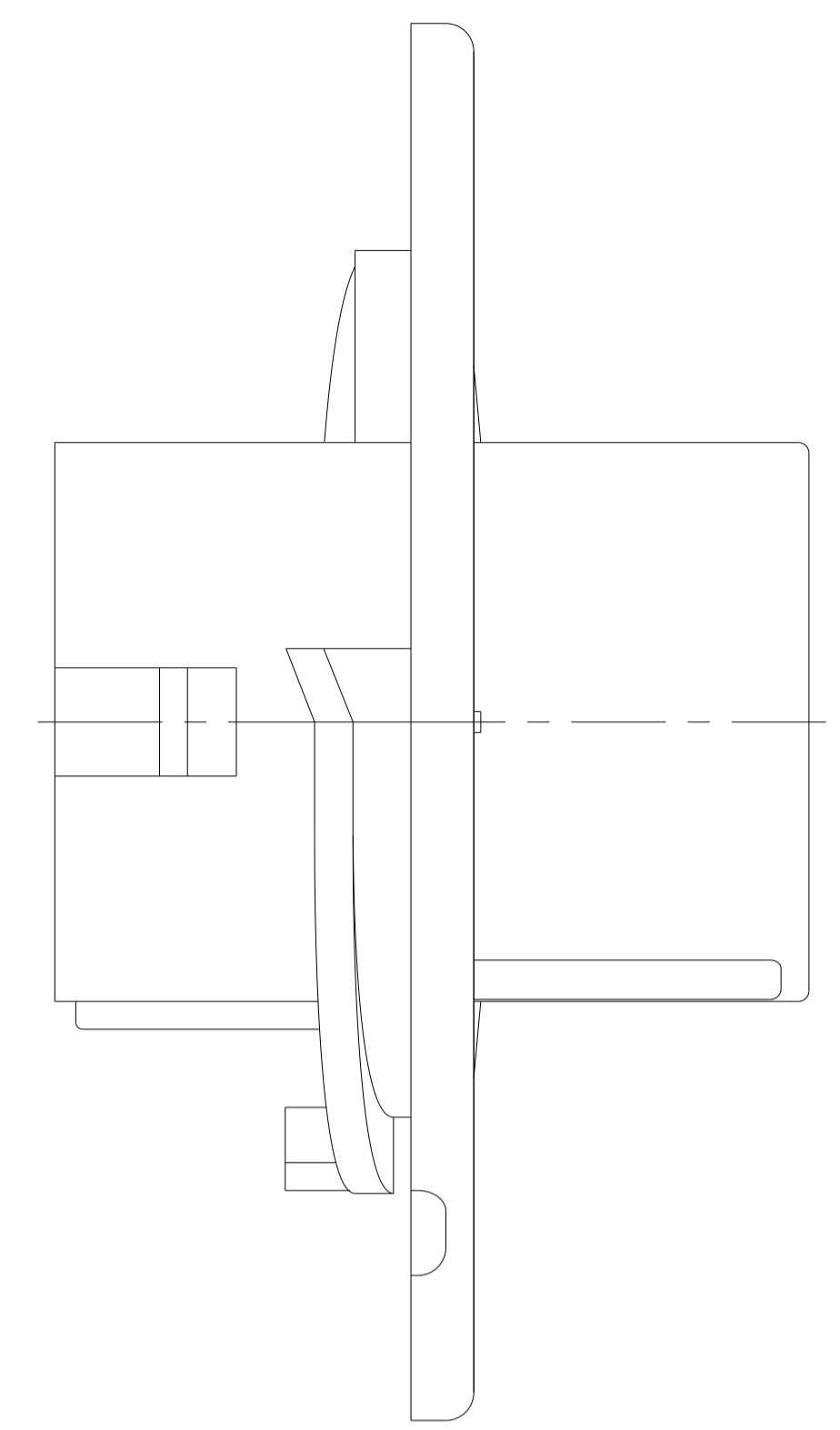


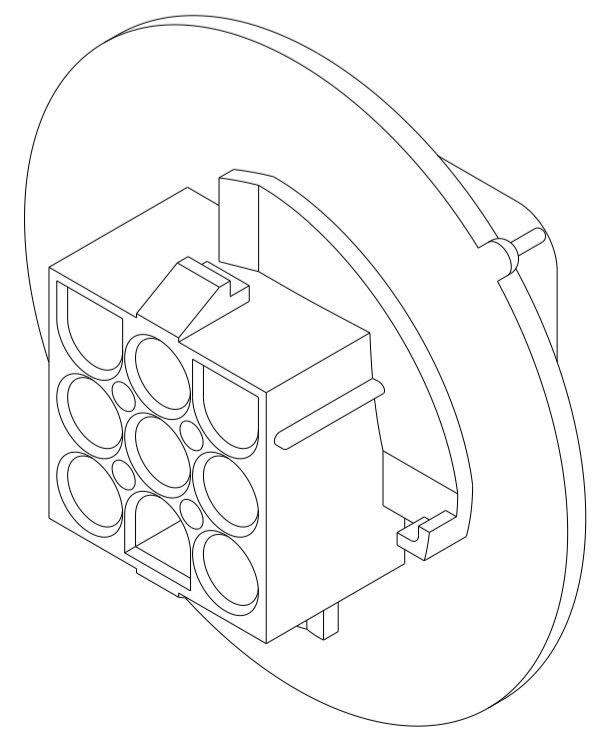
LOC	DIST	REVISIONS					
CM	00	P	LTN	DESCRIPTION	DATE	DWN	APVD
		F		REVISED PER ECR-17-015775	03NOV2017	BDA	KR
		G		REVISED PER ECR-21-101883	06MAY2021	PC	JS



RECOMMENDED CUT OUT



- MATES WITH APPROPRIATE UNIVERSAL MATE-N-LOK™ PLUG.
 - RECOMMENDED PANEL THICKNESS 0.76 - 2.29 [1.030 - .090].
 - PANEL MUST BE PUNCHED SO THAT THE HOUSING ENTERS THE PANEL IN THE SAME DIRECTION AS THE PUNCH.
 - DIMENSIONS SHOWN REPRESENT PRODUCT IN DRY, AS MOLDED CONDITION ADDITIONAL 2% GROWTH DUE TO SUBSEQUENT MOISTURE ABSORPTION MAY OCCUR AND SHOULD BE ACCOUNTED FOR.
- ⚠ UL AND CSA LOGOS LOCATED APPROXIMATELY AS SHOWN



3-DIMENSIONAL MODEL SCALE 2:1

BLACK	1-794761-9
GRAY	1-794761-8
BLUE	1-794761-6
GREEN	1-794761-5
YELLOW	1-794761-4
ORANGE	1-794761-3
RED	1-794761-2
BROWN	1-794761-1
NATURAL	794761-1
COLOR	PART NUMBER

THIS DRAWING IS A CONTROLLED DOCUMENT.

DIMENSIONS: mm [INCHES]	TOLERANCES UNLESS OTHERWISE SPECIFIED:	DWN: K. WHITAKER 20-JUNE-2000	CHK: K. COBLE 20-JUNE-2000	APVD: K. COBLE 20-JUNE-2000	NAME: CAP. 9 CIRCUIT, UNIVERSAL MATE-N-LOK(TM), SPECIAL
0 PLC ±	1 PLC ±0.511(.020)	PRODUCT SPEC	APPLICATION SPEC	SIZE: A1	CAGE CODE: 00779
2 PLC ±	3 PLC ±	WEIGHT	CUSTOMER DRAWING	SCALE: 4:1	SHEET 1 OF 1
4 PLC ±	ANGLES ±0° 30'			REV: G	

MATERIAL: NYLON UL 94V-0, WHITE

TE Connectivity