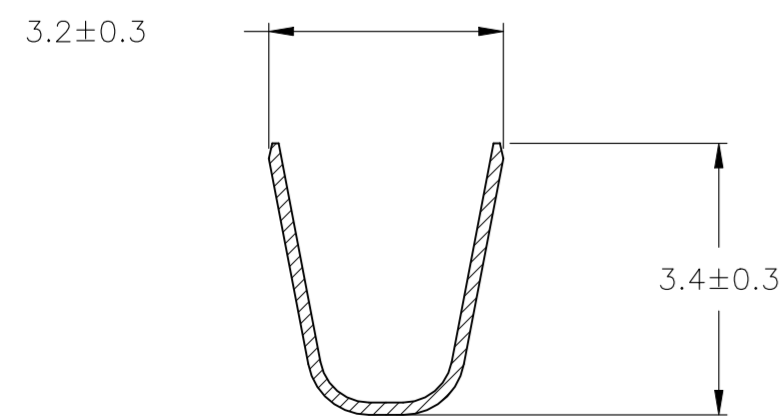
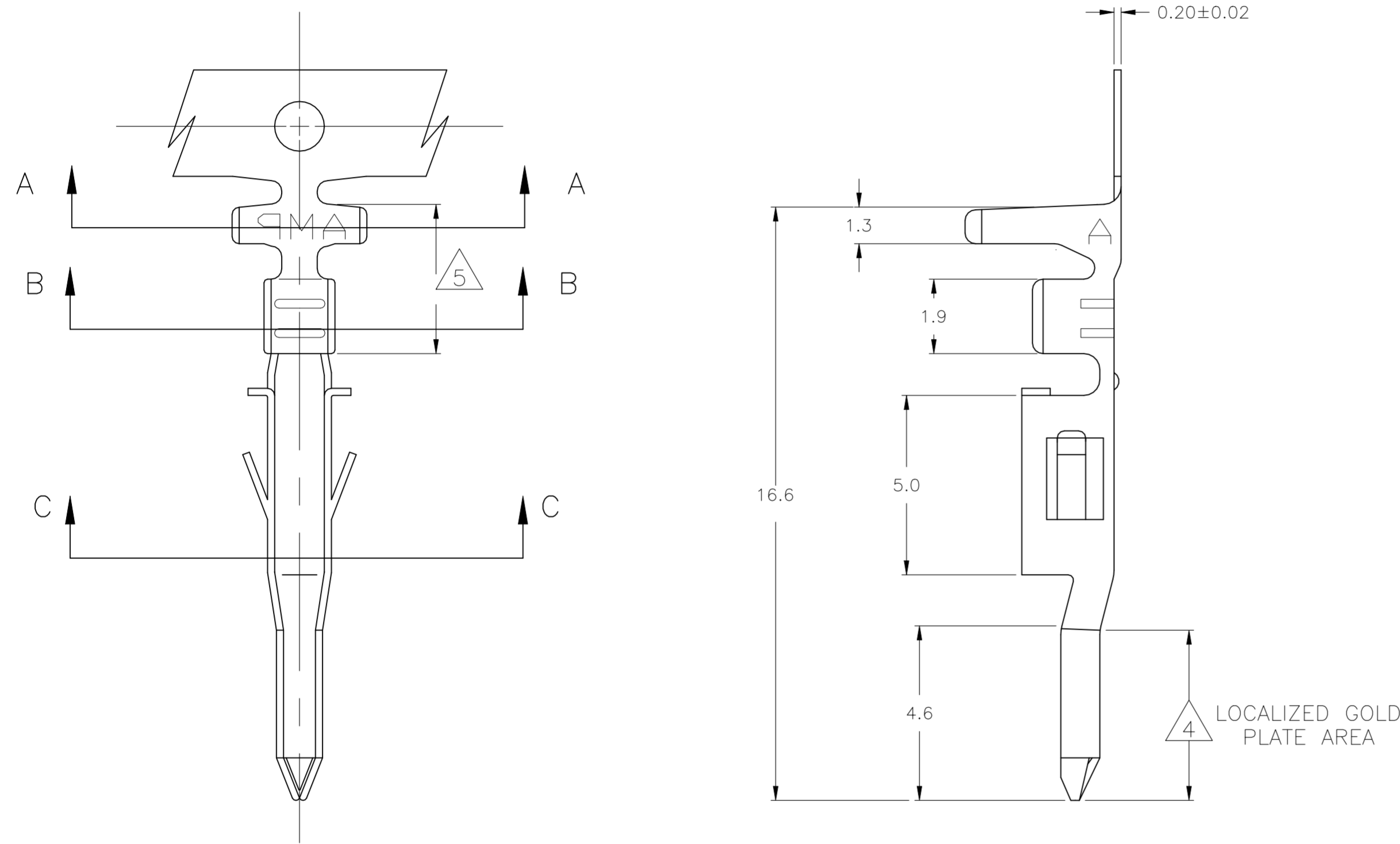
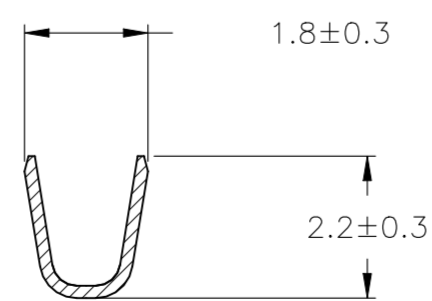


REVISIONS					
P	LTR	DESCRIPTION	DATE	DWN	APVD
F5		REVISED PER ECR-23-173068	06DEC2023	P.C	D.Z

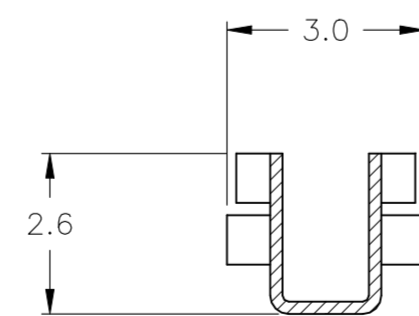
- 1 WIRE RANGE: 0.13–0.32mm² (26–22 AWG).
- 2 INSULATION RANGE: 1.20–1.75 DIA.
- 3 FINISH: FINISH:1.27µm MIN NICKEL ALL OVER
- 4 FINISH: FINISH: 0.76µm MIN GOLD ON INNER SURFACE, PERMITTED ON OUTER SURFACE.
- 5 FINISH: 2.54µm MIN TIN ON ALL SURFACES IN THIS AREA.
- 6 FINISH: 2.54µm MINIMUM PRE-TIN OVERALL



SECTION A-A



SECTION B-B



SECTION C-C

5	GOLD	3	4	PHOS. BRZ.	794957-4
	PRE-TIN	6		PHOS. BRZ.	794957-3
5	GOLD	3	4	BRASS	794957-2
	PRE-TIN	6		BRASS	794957-1
	FINISH:			MATERIAL:	PART NO.

THIS DRAWING IS A CONTROLLED DOCUMENT.		DWN	S. HAMM	06-SEP-2001	TE TE Connectivity		
		CHK	D. COLEY	07-SEP-2001			
		APVD	D. COLEY	07-SEP-2001	NAME		
		PRODUCT SPEC	108-2112		TERMINAL PIN		
		APPLICATION SPEC	114-13172		VAL-U-LOK(TM)		
MATERIAL		WEIGHT	-		SIZE	CAGE CODE	DRAWING NO
FINISH		SCALE	10:1		SHEET	1 OF 1	
		CUSTOMER DRAWING			REV	F5	