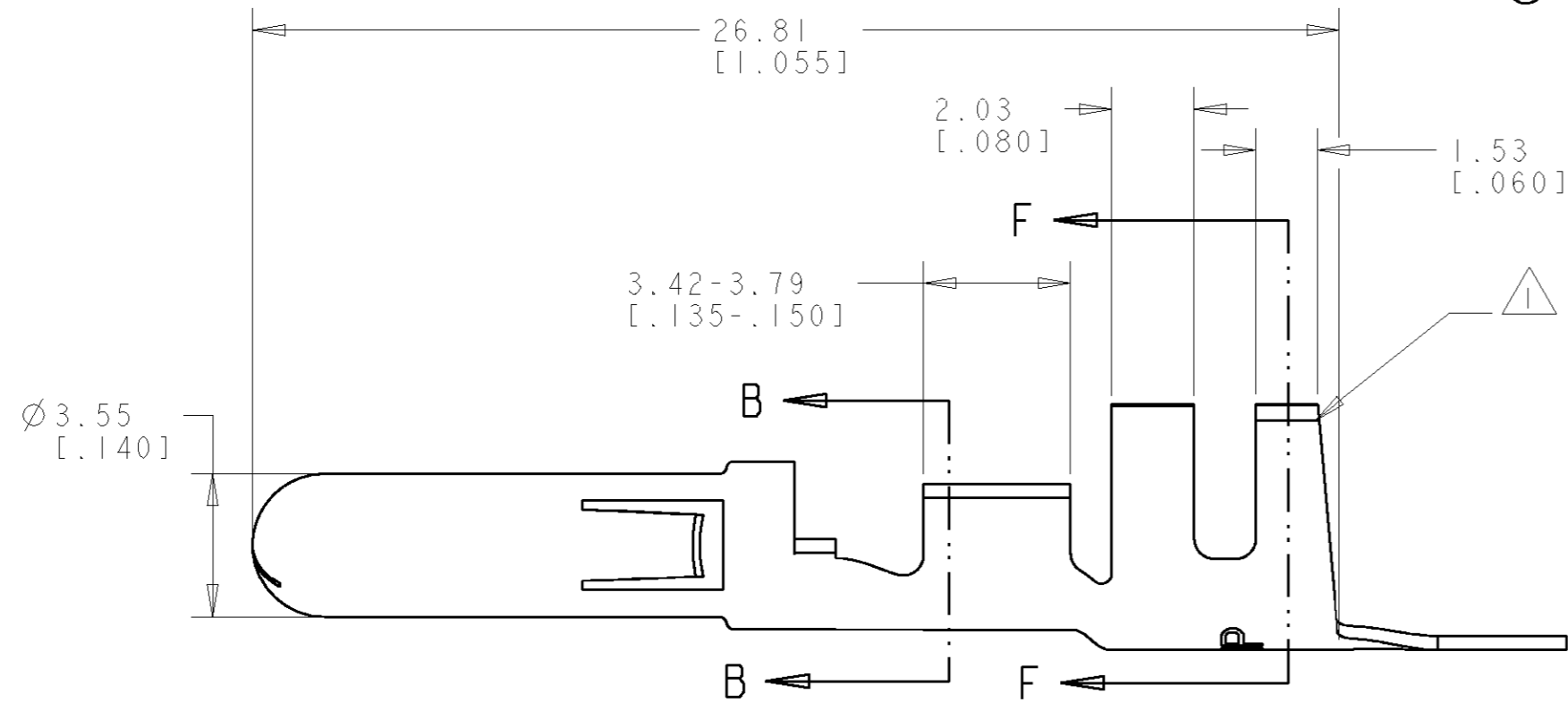
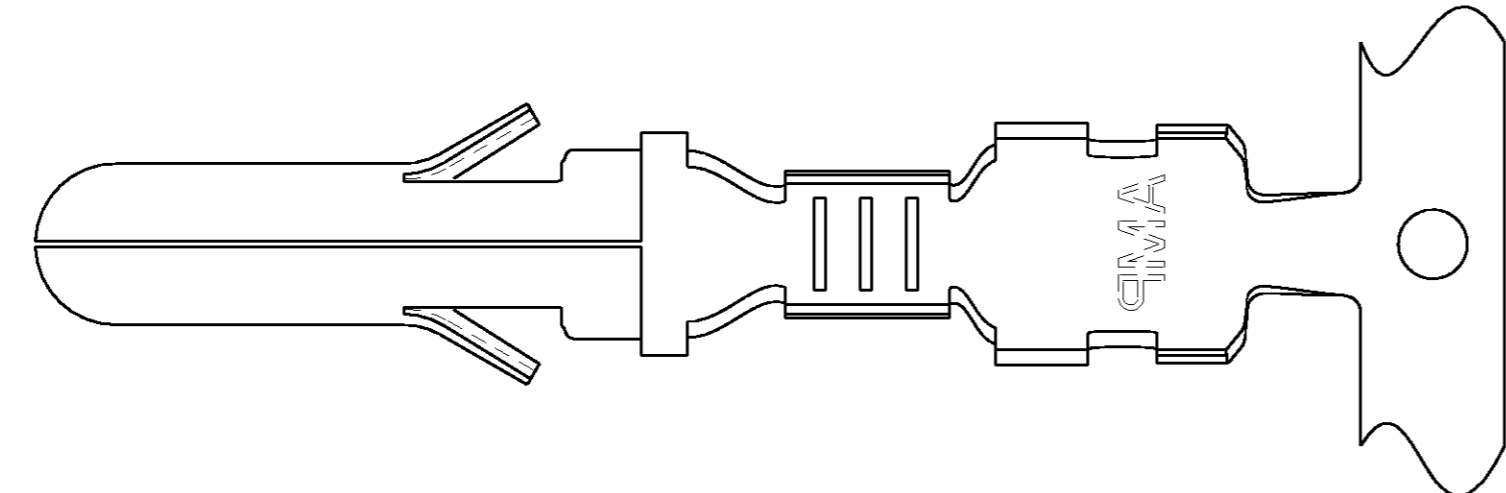
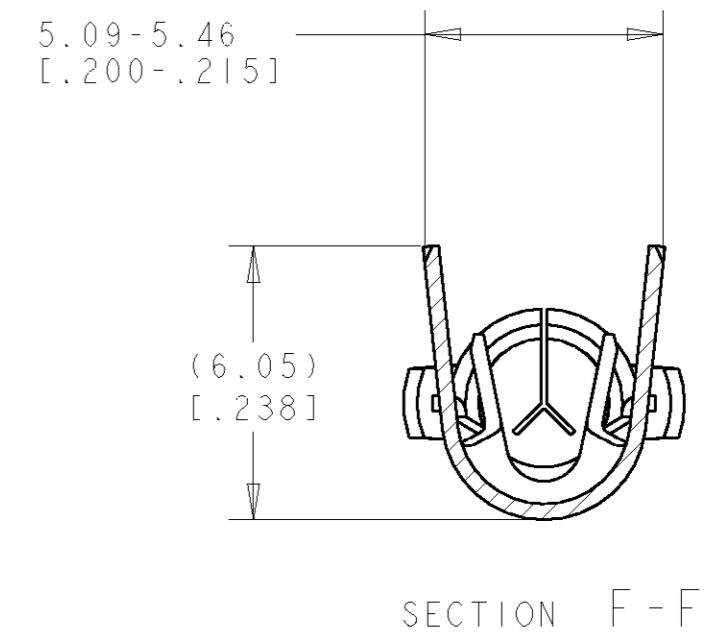
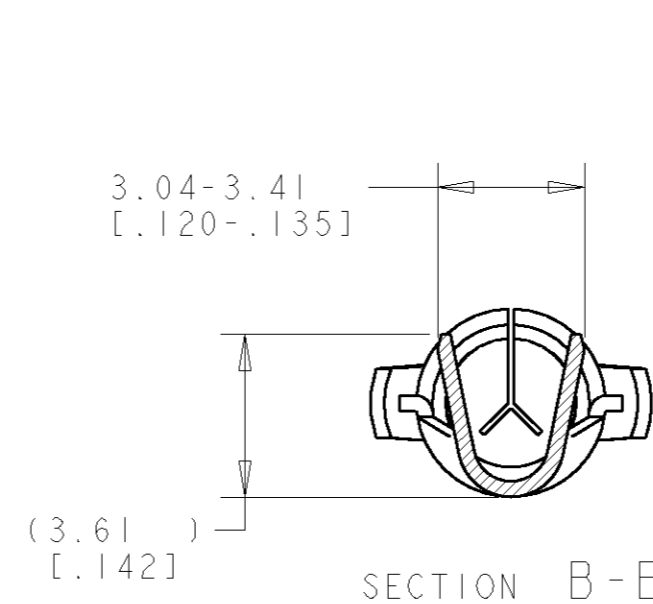


THIS DRAWING IS UNPUBLISHED. RELEASED FOR PUBLICATION 20
 © COPYRIGHT 20 BY TYCO ELECTRONICS CORPORATION. ALL RIGHTS RESERVED.

LOC	DIST	REVISIONS					
CM	00	P	LTR	DESCRIPTION	DATE	DWN	APVD
			0	REVISED PER 063B-0652-01	07-FEB-02	KW	DC



△ SWAGE, INSULATION BARREL ONLY.



METRIC

THIS DRAWING IS A CONTROLLED DOCUMENT FOR TYCO ELECTRONICS CORPORATION. IT IS SUBJECT TO CHANGE AND THE CONTROLLING ENGINEERING ORGANIZATION SHOULD BE CONTACTED FOR THE LATEST REVISION.		DWN	BH	01OCT01	Tyco Electronics Harrisburg, PA 17105-3608	
DIMENSIONS: mm [INCHES]		CHK	RW	01OCT01		
TOLERANCES UNLESS OTHERWISE SPECIFIED: 0 PLC ± 1 PLC ± 2 PLC ± 3 PLC ±0.13 [.005] 4 PLC ± ANGLES ± FINISH -		APVD	RW	01OCT01		
MATERIAL -		PRODUCT SPEC	-	APPLICATION SPEC		
		WEIGHT	-	-	NAME	.140 DIA PIN
		CUSTOMER DRAWING	SCALE	6:1	SIZE	A2
			SHEET	1	CAGE CODE	00779
			OF	1	DRAWING NO	794974
			REV	0	RESTRICTED TO	-