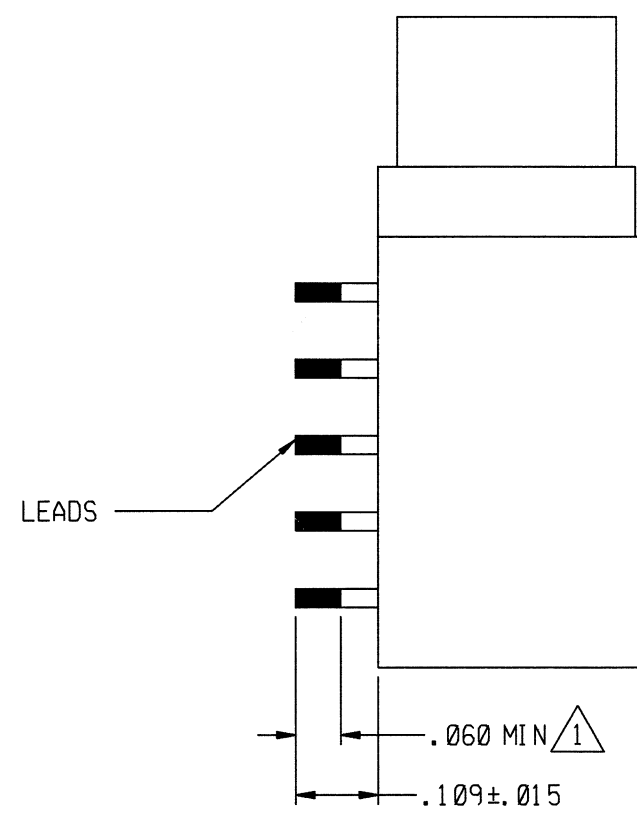
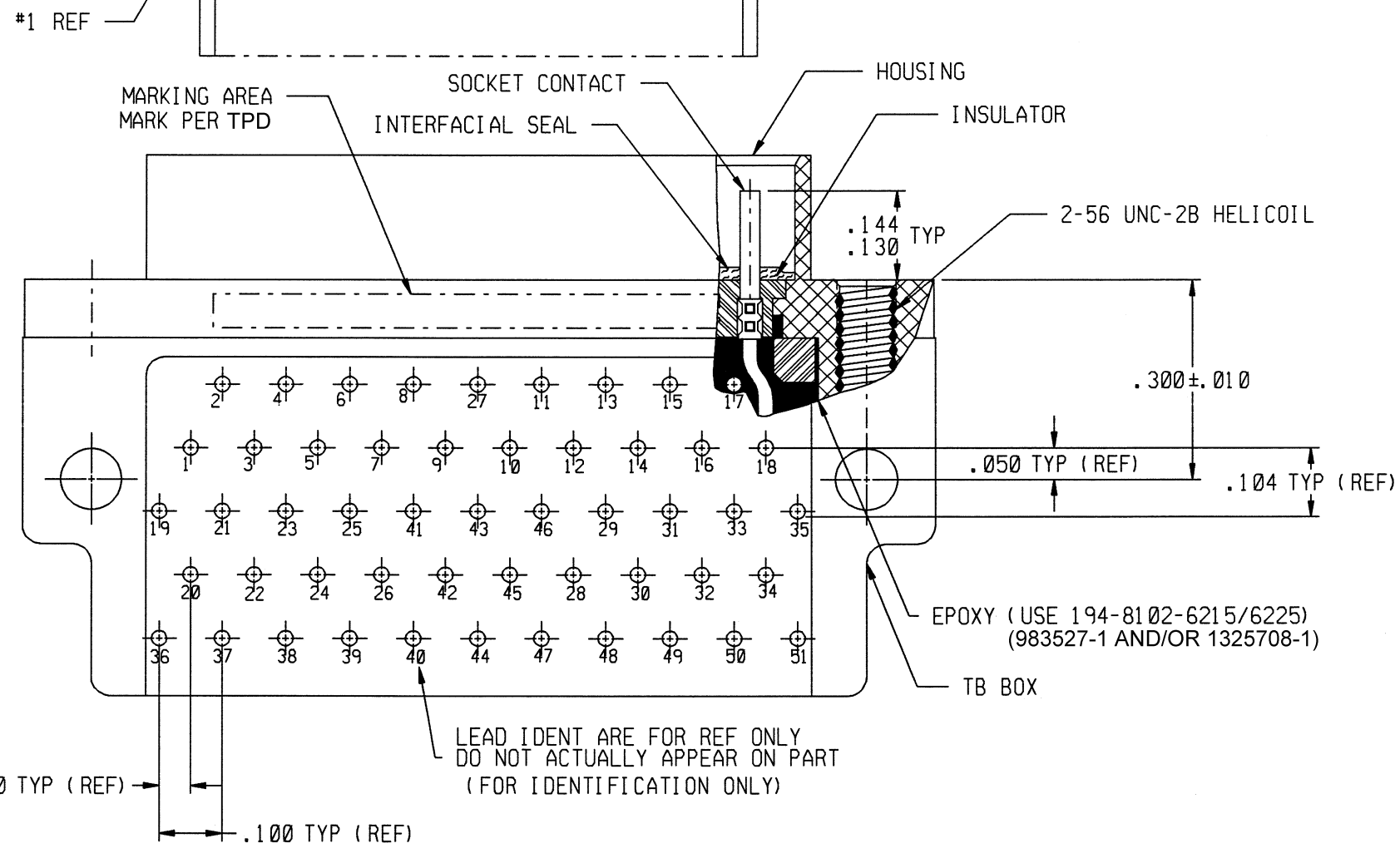
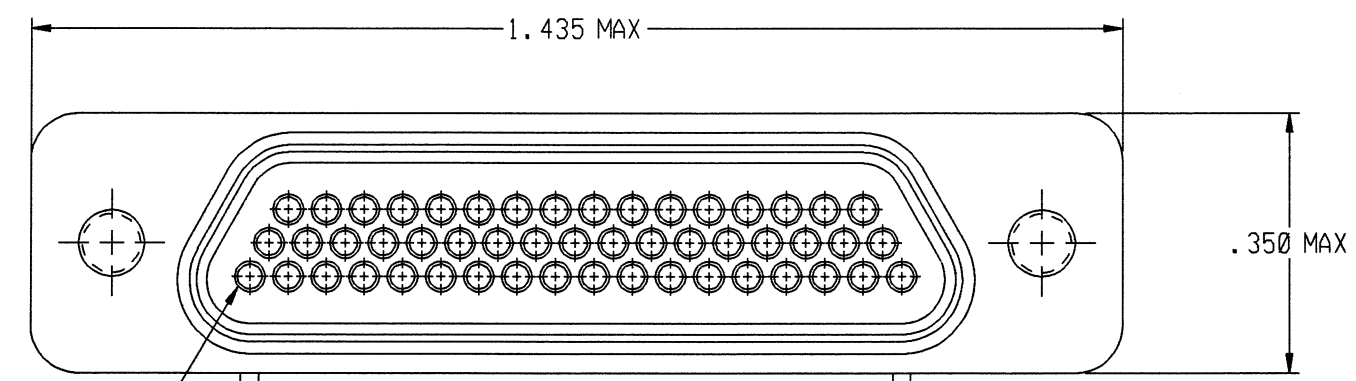


REVISION					
ZONE	LTR	ECN	DESCRIPTION	DATE	APPROVED
	B	38664	UPDATE MKING & EPOXY NOTES	3/1/99	<i>[Signature]</i>
	C	38990	UPDATE REV. LETTER.	5/21/99	<i>[Signature]</i>
A-1	D	39341	IS: XI WAS: XX	9/2/99	<i>[Signature]</i>
	D1	41054	UPDATE REV LETTER	8/6/01	<i>[Signature]</i>
	D2	41591	UPDATE REV. LETTER	1/22/02	<i>[Signature]</i>
	E	41913	UPDATE REV. LETTER	1/14/03	<i>[Signature]</i>
	F	43820	UPDATE REV LETTER.	12/22/08	TL

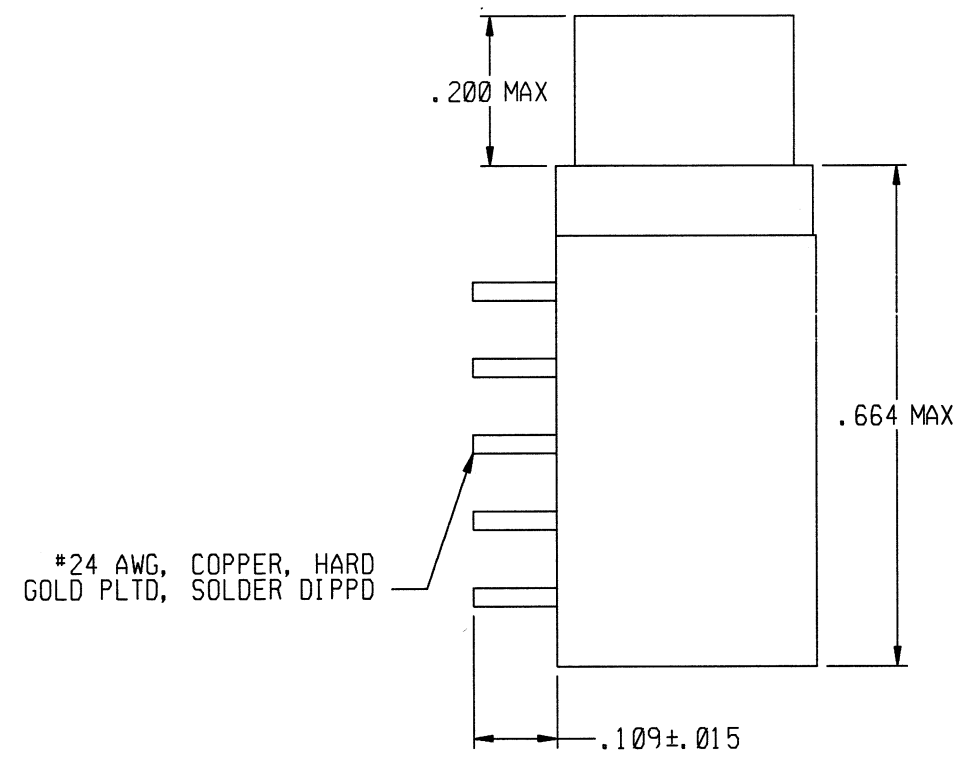
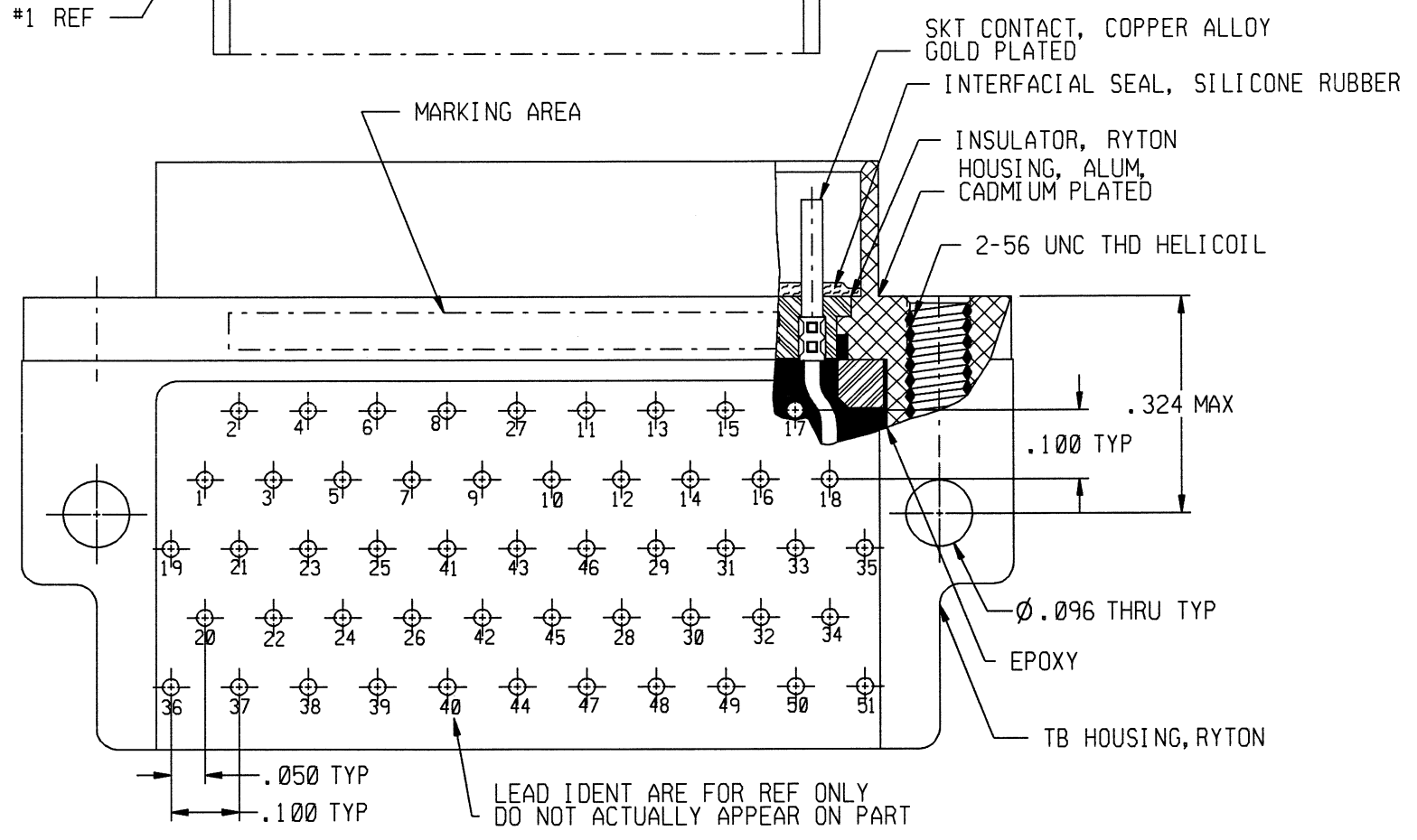
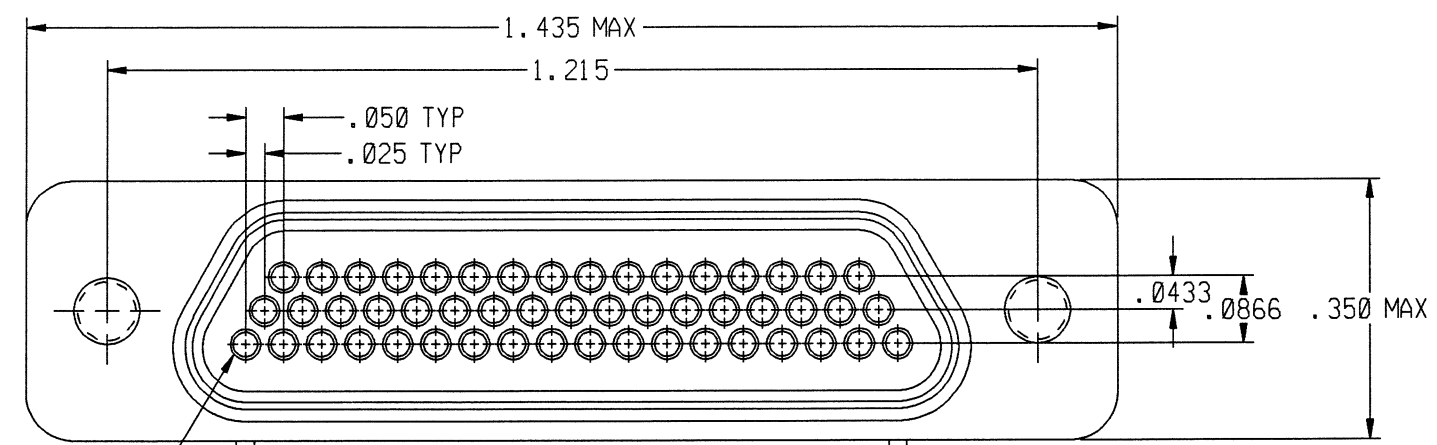


NOTES: UNLESS OTHERWISE SPECIFIED.


- 1. TERMINAL WIRES TO BE SOLDER COATED. SOLDER TO BE QQ-S-571, TYPE SN60 OR SN63 FLUX PER MIL-F-14256, TYPE A.
- 2. CRIMP LEADS INT CONTACTS PER MEP302-05.

UNLESS OTHERWISE SPECIFIED DIMENSIONS ARE IN INCHES. TOLERANCE ARE:			APPROVALS		MICRODOT CONNECTORS A DIVISION OF UNI-STAR INDUSTRIES INC. 306 PASADENA AVE., SO. PASADENA, CA 91030	
FRACTIONS	DECIMALS	ANGLES	SIGNATURE	DATE		
± 1/8	.XX ± .01 .XXX ± .005	± 2°	<i>[Signature]</i>	3/1/99		
MATERIAL:			P.E.		90° TRANSITION BLOCK RECEPTACLE, SIZE 51 MCK-C2-XX-51 SRT1 2-56 UNC-2A HELICOIL	
			M.E.			PROD CODE 845
			Q.A.			CODE M
FINISH:			THIS DOCUMENT IS THE PROPERTY OF MICRODOT CONNECTORS, A DIVISION OF UNI-STAR INDUSTRIES INC. USE OF THIS DOCUMENT OR ANY PART THEREOF IS STRICTLY FORBIDDEN WITHOUT THE EXPRESS WRITTEN PERMISSION OF MICRODOT CONNECTORS, A DIVISION OF UNI-STAR INDUSTRIES INC.		SIZE B CODE 98278 IDENT NO. 8-1532016-4 DRAWING NO. =094-9706-9007	
			SCALE: NONE		SHEET 1 OF 1	

REVISION					
ZONE	LTR	ECN	DESCRIPTION	DATE	APPROVED
	B	38664	UPDATE MKING & EPOXY NOTES	3/1/99	<i>[Signature]</i>
	C	38990	UPDATE REV. LETTER.		
A-1	D	39341	IS: XI WAS: XX	9/2/99	<i>[Signature]</i>
	D1	41054	UPDATE REV LETTER	8/6/01	<i>[Signature]</i>
	D2	41591	UPDATE REV. LETTER.	10/2/04	Z
	E	41913	UPDATE REV. LETTER.	1/14/05	Z
	F	43820	UPDATE REV LETTER.	12/22/08	TL



LEAD IDENT ARE FOR REF ONLY
DO NOT ACTUALLY APPEAR ON PART

UNLESS OTHERWISE SPECIFIED DIMENSIONS ARE IN INCHES. TOLERANCE ARE: FRACTIONS DECIMALS ANGLES ± 1/8 .XX ± .01 ± 2° .XXX ± .005	APPROVALS		 MICRODOT CONNECTORS A DIVISION OF UNI-STAR INDUSTRIES INC. 306 PASADENA AVE., SO. PASADENA, CA 91030	PROD CODE G605
	SIGNATURE	DATE		
MATERIAL:	DRAWN BY <i>[Signature]</i>	DATE <i>3/1/99</i>	CODE CD	
FINISH:	THIS DOCUMENT IS THE PROPERTY OF MICRODOT CONNECTORS, A DIVISION OF UNI-STAR INDUSTRIES INC. USE OF THIS DOCUMENT OR ANY PART THEREOF IS STRICTLY FORBIDDEN WITHOUT THE EXPRESS WRITTEN PERMISSION OF MICRODOT CONNECTORS, A DIVISION OF UNI-STAR INDUSTRIES INC.			SIZE B CODE IDENT NO. 98278 DRAWING NO. 8-1532016-4 =094-9706-9007
		SCALE: NONE	09497069007CD	SHEET 1 OF 1