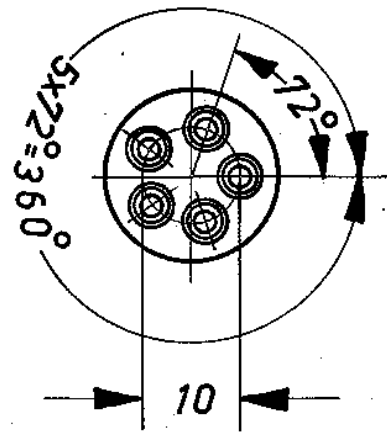
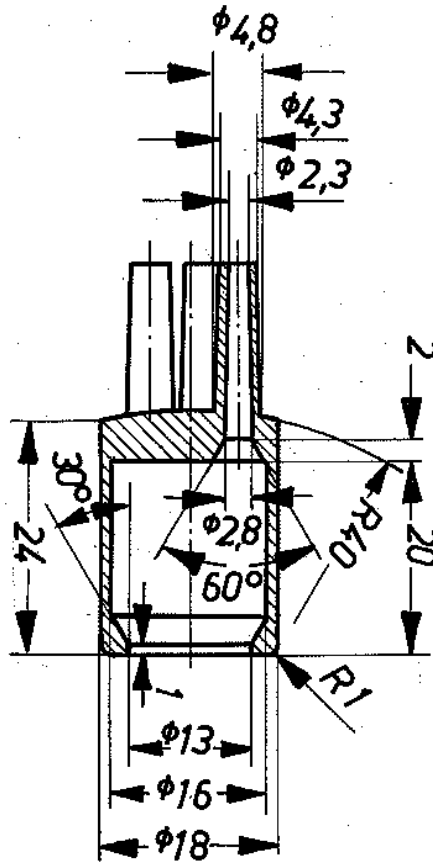


Copying of the document and giving it to other and the use or communication of the contents thereof, are forbidden without express authority. Offenders are liable to the payment of damages. All rights are reserved in the event of the grant of a patent or the registration of a utility model or design.



dimensions in mm

Customer
Drawing

REV.	MODIFICATION	DATE	N.

2020	DATE	NAME
DRAWN	21.01.	Beckmann
CHECKED		

GURO-CBO-5x2.5

NAMING:

CD-GURO-CBO-5x2.5

DRAWING NO.:

REPLACEMENT FOR:



Tyco Electronics
Raychem GmbH
Werk Berlin

CAD NO.: