

DRAWING MADE IN THIRD ANGLE PROJECTION

THIS DRAWING IS UNPUBLISHED.

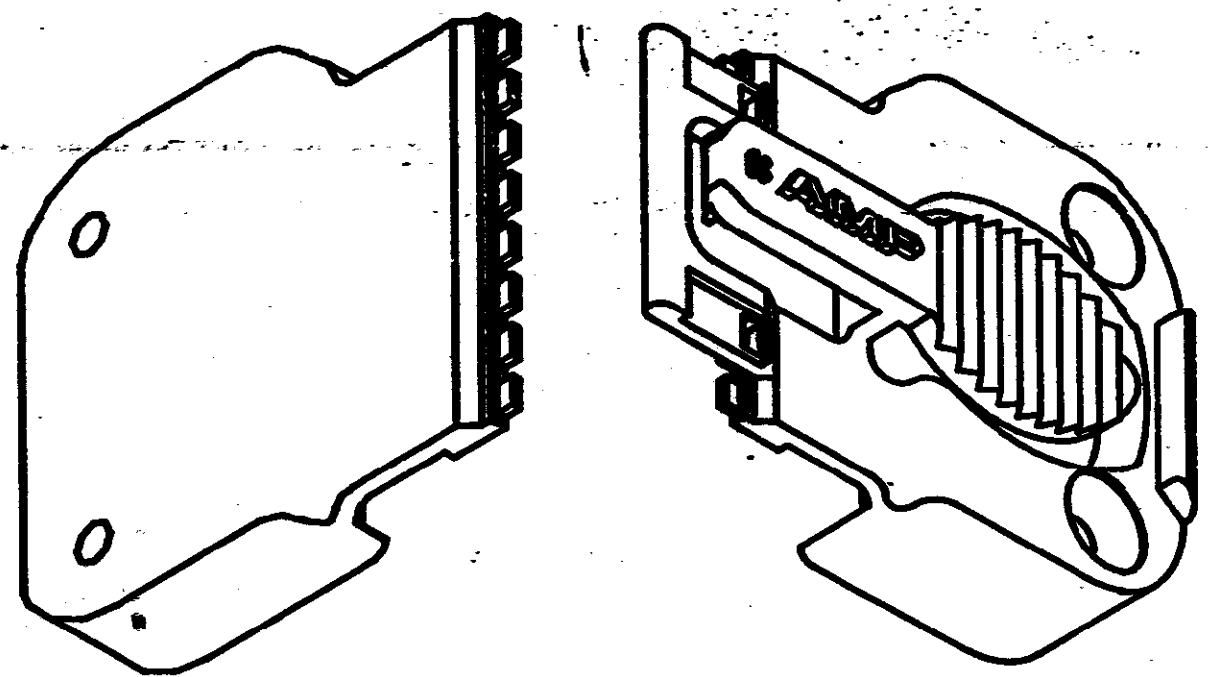
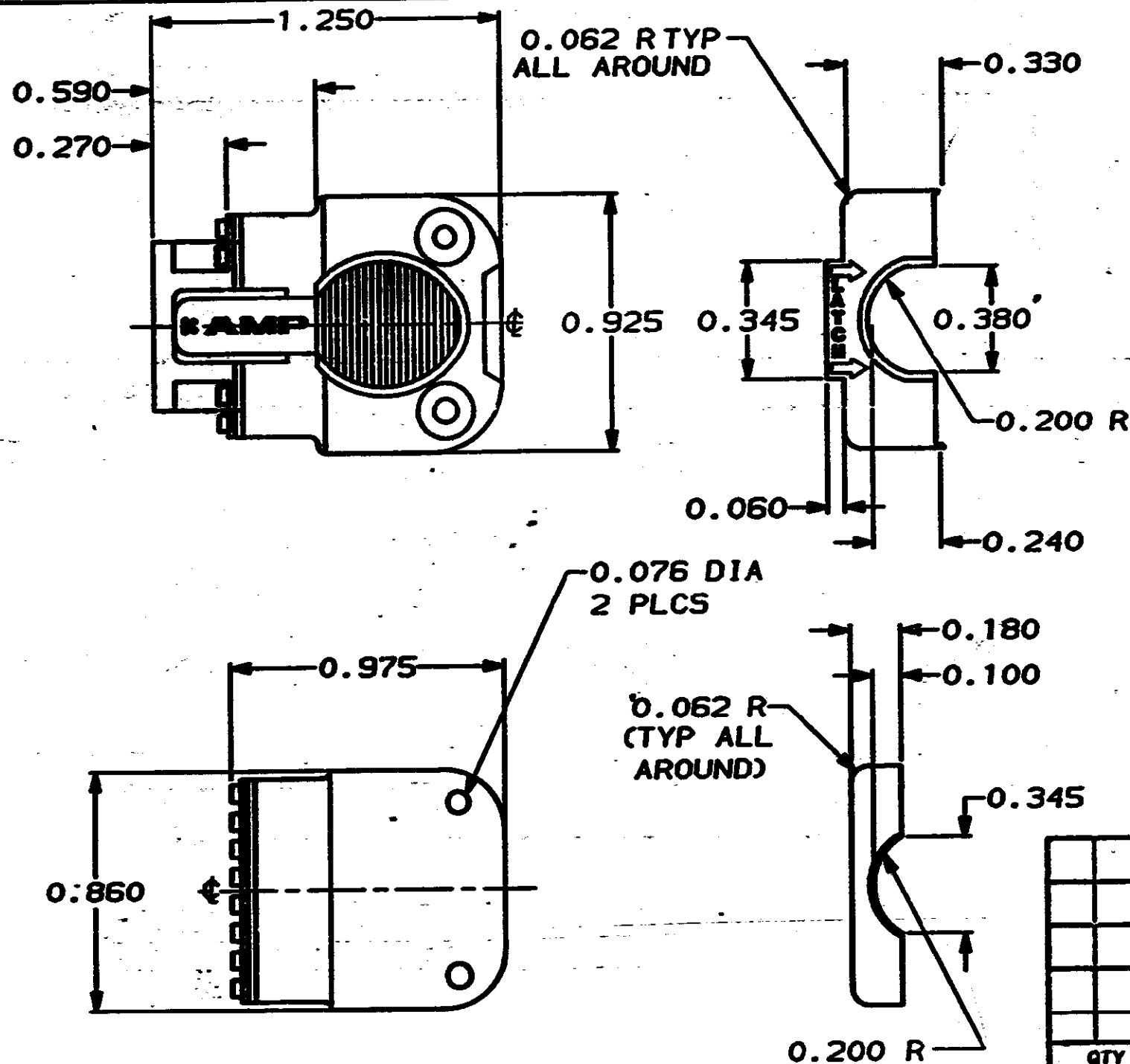
RELEASED FOR PUBLICATION

NOV. 01, 1988

© COPYRIGHT 1988

BY AMP OF CANADA LTD. ALL INTERNATIONAL RIGHTS RESERVED.

LOC	DIST	P	F	ZONE	LTR	DESCRIPTION	DATE	APPD
BG	5				0	RELEASE PER ECN 336	12-1-88	JB
					A	REV PER BG470	APR/90	17



QTY	REV	ZONE	LTR	PART NO	DESCRIPTION	ITEM NO
1000	0	A		81572-1	SCREW $\Delta$	3
500	500	C		81132-1	STRAIN RELIEF BASE	2
500	500	C		81131-1	LATCHING COVER	1
-2	-1	DWG		SIZE		

QTY REQD PER ASSY		PARTS LIST	
DO NOT SCALE PRINT. UNLESS SPECIFIED DIMENSIONS IN INCHES TOLERANCES ON: 2 PLC DEC ± - 3 PLC DEC ± 0.01 ANGLES ± -		AMP of CANADA Ltd. Northan, Ont.	
MATERIAL: 17066 $\Delta$ 2		LATCHING STRAIN RELIEF BULK KIT	
FINISH: TEXTURED		SIZE: B	PSGN NO: 09482
		SCALE: 2:1	DRAWING NO: 81130
			SHEET 1 OF 1
			REV A

1. FOR USE WITH 16 POSITION DOUBLE ROW MT RECEPTACLES, MATES WITH AMPMODU 4 SIDED SHROUDED HEADER WITH EXTRACTION SLOT SEE AMP CATALOGUE 84-764.

$\Delta$  MATERIAL PER AMP #100-00608 (BLACK).

3. CABLE RANGE : 0.250-0.360 DIA.

$\Delta$  TWO (2) 2-56x3/8" TYPE B, COUNTERSUNK, SELF TAPPING SCREWS REQUIRED (NOT SHOWN), MAX. TORQUE 20IN-OZ.

CUSTOMER DRAWING