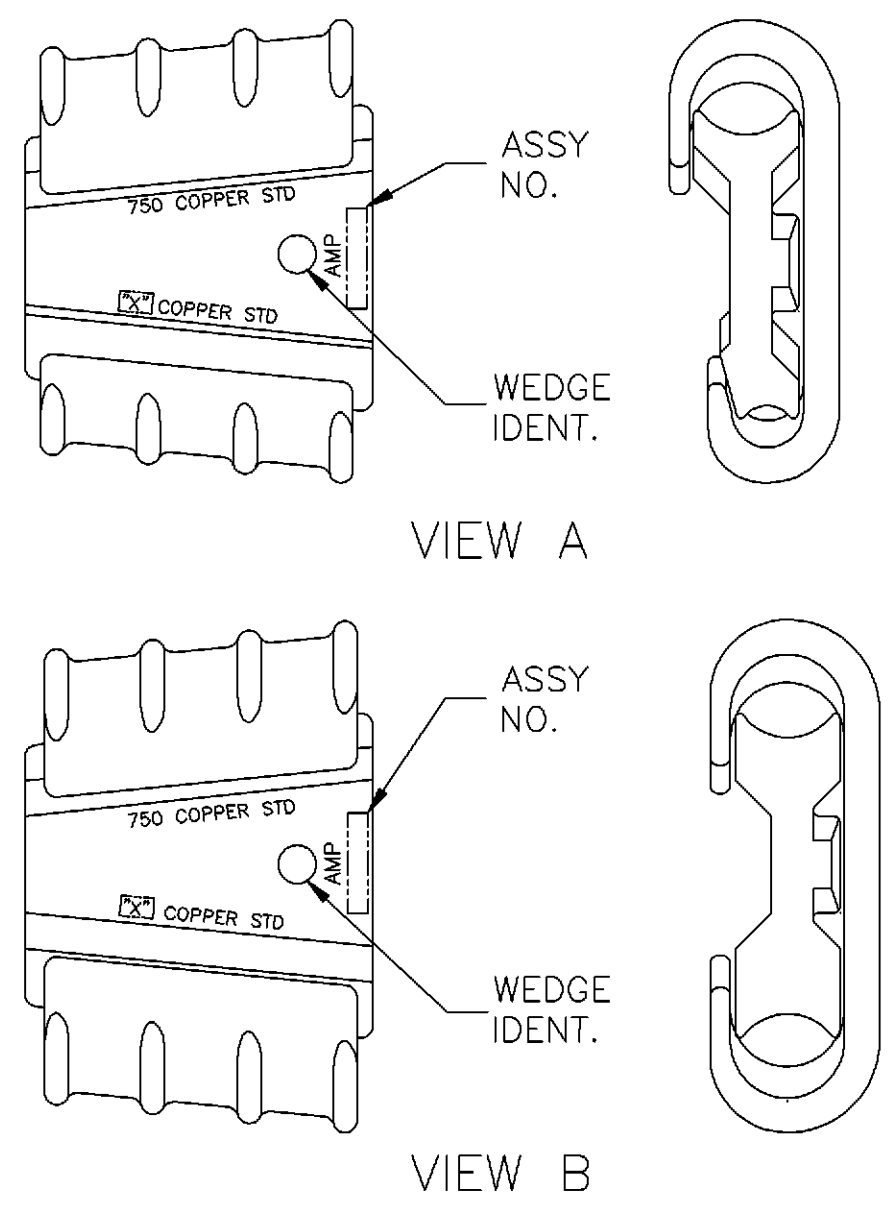
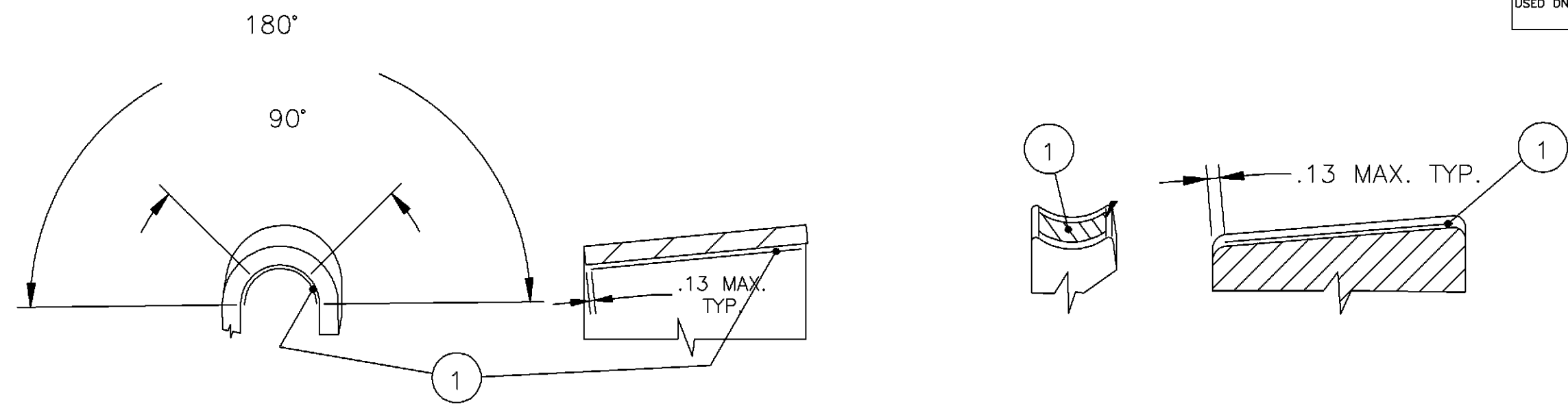


THIS DRAWING IS A CONTROLLED DOCUMENT FOR AMP INCORPORATED. IT IS SUBJECT TO CHANGE AND THE CONTROLLING ENGINEERING ORGANIZATION SHOULD BE CONTACTED FOR THE LATEST REVISION.

THIS INFORMATION IS CONFIDENTIAL AND IS DISCLOSED TO YOU ON CONDITION THAT NO FURTHER DISCLOSURE IS MADE BY YOU TO OTHER THAN AMP PERSONNEL WITHOUT WRITTEN AUTHORIZATION FROM AMP INCORPORATED, HARRISBURG, PA.

USED ON -



1	-	-	-	-	-	-	-	A3	-	110	#4, #6	1-81723-3	109394-1	WEDGE	3
-	1	-	-	-	-	-	-	A3	-	109	#2, 1/0	1-81723-2	109393-1		
-	-	1	-	-	-	-	-	A3	-	108	2/0	1-81723-1	109392-1		
-	-	-	1	-	-	-	-	A3	-	107	3/0	1-81723-0	109391-1		
-	-	-	-	1	-	-	-	A3	-	106	4/0	81723-9	109390-1		
-	-	-	-	-	1	-	-	A3	-	105	250	81723-8	109389-1		
-	-	-	-	-	-	1	-	A3	-	104	500	81723-2	109388-1		
-	-	-	-	-	-	-	1	A3	-	103	750	81723-1	109387-1		
1	1	1	1	1	1	-	-	A3	A	-	-	-	109386-1	"C" BODY	2
-	-	-	-	-	-	1	1	A3	B	-	-	-	109385-1		
AS REQ'D									B	-	-	-	80665-1	INHIBITOR	1
1-3	1-2	1-1	1-0	-9	-8	-2	-1	DWG SIZE	VIEW	WEDGE IDENT.	X	ASSY NO.	PART NO	DESCRIPTION	ITEM NO
											← REVISION OF EACH ASSY NO (WHEN BLANK, USE DWG REVISION)				
QTY REQD PER ASSY											PARTS LIST				

DIMENSIONS: INCHES

TOLERANCES UNLESS OTHERWISE SPECIFIED:

0 PLC	±
1 PLC	±
2 PLC	±
3 PLC	±
4 PLC	±

ANGLES ± -

SURFACE TEXTURE - √

DRAWN BY: M. CHOW 29JUN98

CHECKED BY: J WANG 27AUG98

APPROVED BY: Y HANNA 28AUG98

NAME: CONNECTOR ASSY, 750 SERIES YELLOW CODED, COPPER, AMPACT

SCALE: 1:2 SIZE: A3 DRAWING NO: 81723

SHEET: 1 OF 1 REV: 0

MATERIAL: - HEAT TREAT: -

TE CONNECTIVITY

0	INITIAL RELEASE PER EC LC00-0078-97	29JUN98	MC	JH
P	LTR	DATE	DWN	APVD
REVISION RECORD				

LOC BG
DIST 5
AMP 3306-7 REV 10/93

D
C
B
A