

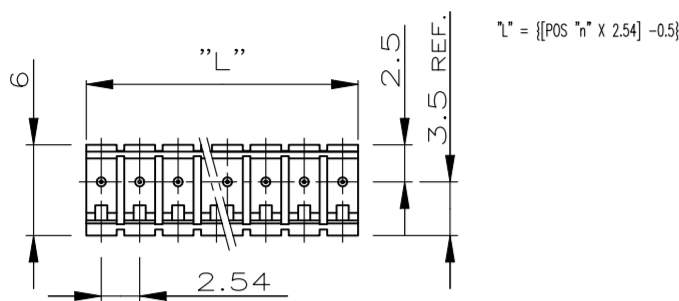
THIS DRAWING IS UNPUBLISHED. RELEASED FOR PUBLICATION
 © COPYRIGHT - By - ALL RIGHTS RESERVED.

REVISIONS					
P	LTR	DESCRIPTION	DATE	DWN	APVD
	Y5	926477-2 SUPERSEDED BY 926477-1	16FEB2024	GVP	PS

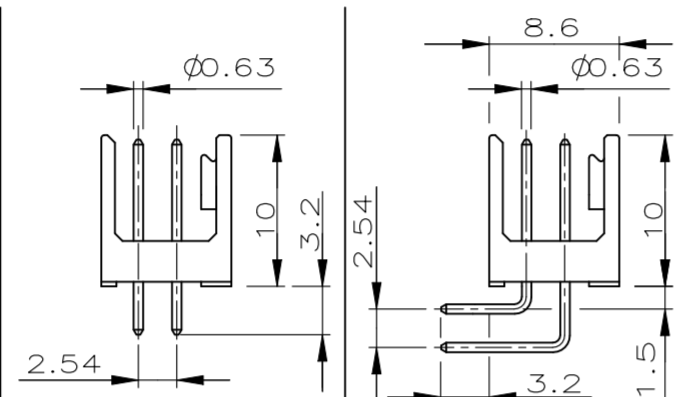
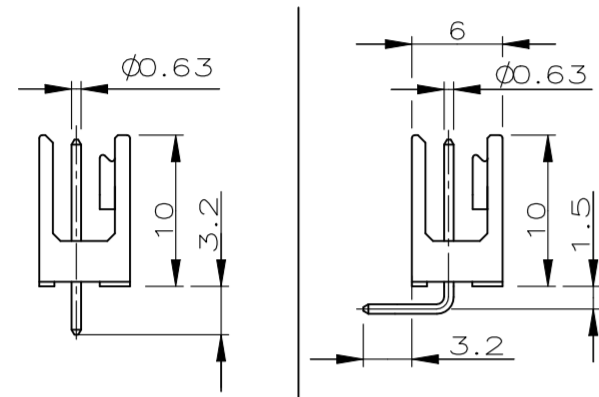
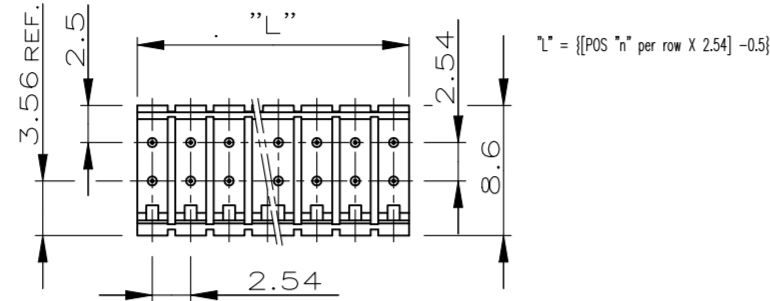
MODU II SHROUDED POSTS

MODU II Stiftleiste

SINGLE ROW 3 TO 50 POS.
Einreihig 3 bis 50 pol.

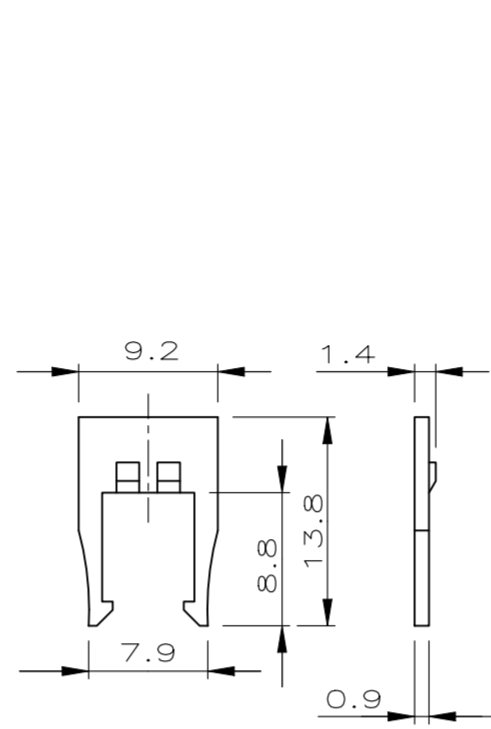


DOUBLE ROW 2x3 TO 2x50 POS.
Zweireihig 2x3 bis 2x50 pol.



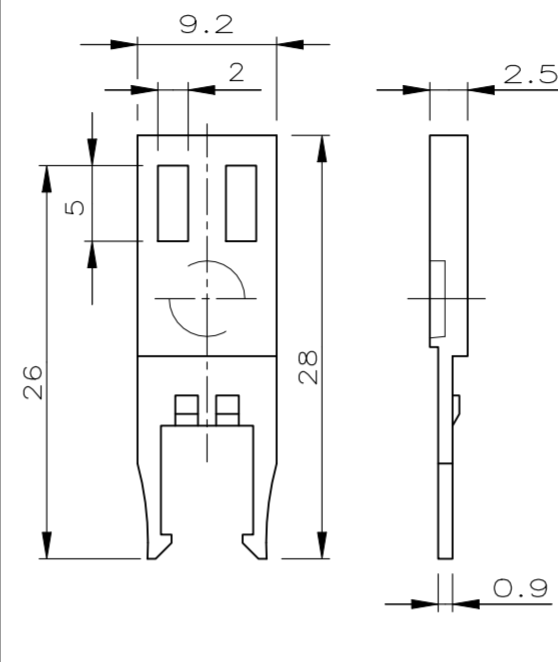
RETENTION PLUG

Rastgabel



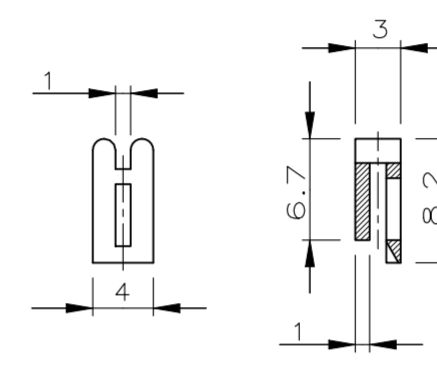
RETENTION PLUG WITH STRAIN RELIEF

Rastgabel mit Zugentlastung



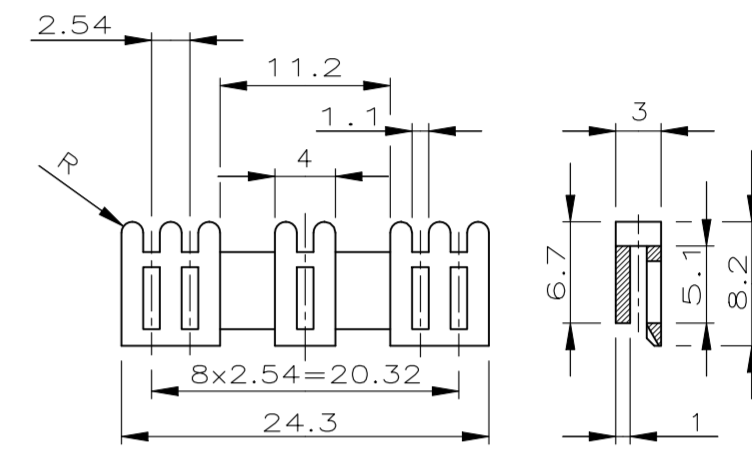
KEYING PLUG

Kodierstift



KEYING BLOCK

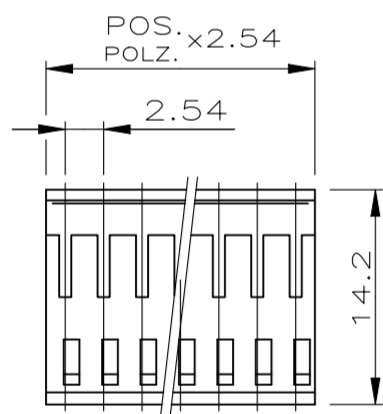
Kodierblock



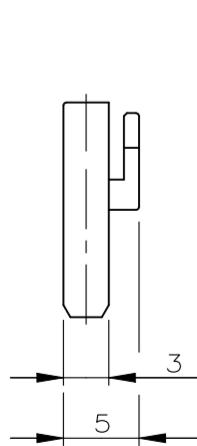
POS.	PART NUMBERS	PART NUMBERS	POS.	PART NUMBERS	PART NUMBERS	PART NUMBERS	COLOUR	PART NUMBERS	COLOUR	PART NUMBERS	COLOUR	PART NUMBERS	COLOUR
3 (2) TO 50	△ 826467-3 BIS	△ 826468-3 BIS	2x3 TO 2x50	△ 826469-3 BIS	△ 826470-2 BIS	926477-1	BLACK	926478-1	BLACK	926498-1	BLACK	927607-1	BLACK
	5-826467-0	5-826468-0		5-826469-0	5-826470-0	926477-2	GREEN	926478-2	GREEN	926498-2	GREEN	927607-2	GREEN
	△ 827295-2 BIS	△ 827296-3 BIS		△ 827297-3 BIS	△ 827298-3 BIS	926477-3	RED	926478-3	RED	926498-3	RED	927607-3	RED
	5-827295-0	5-827296-0		5-827297-0	5-827298-0								

MODU IV RECEPTACLE HOUSING

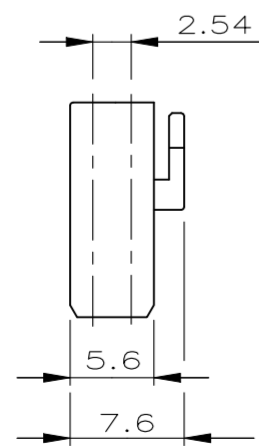
MODU IV Buchsengehäuse



SINGLE ROW 2 TO 36 POS.
Einreihig 2 bis 36 polig.

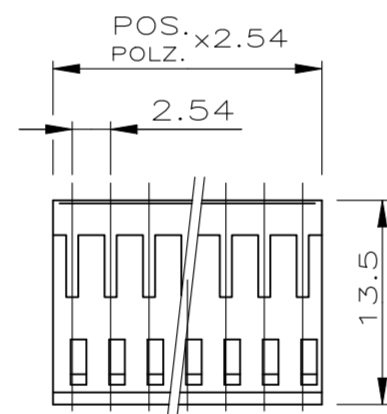


DOUBLE ROW 2x2 TO 2x36 POS.
Zweireihig 2x2 bis 2x36 polig

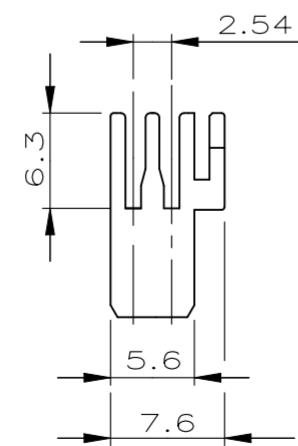


FFC HOUSING

FFC Gehäuse

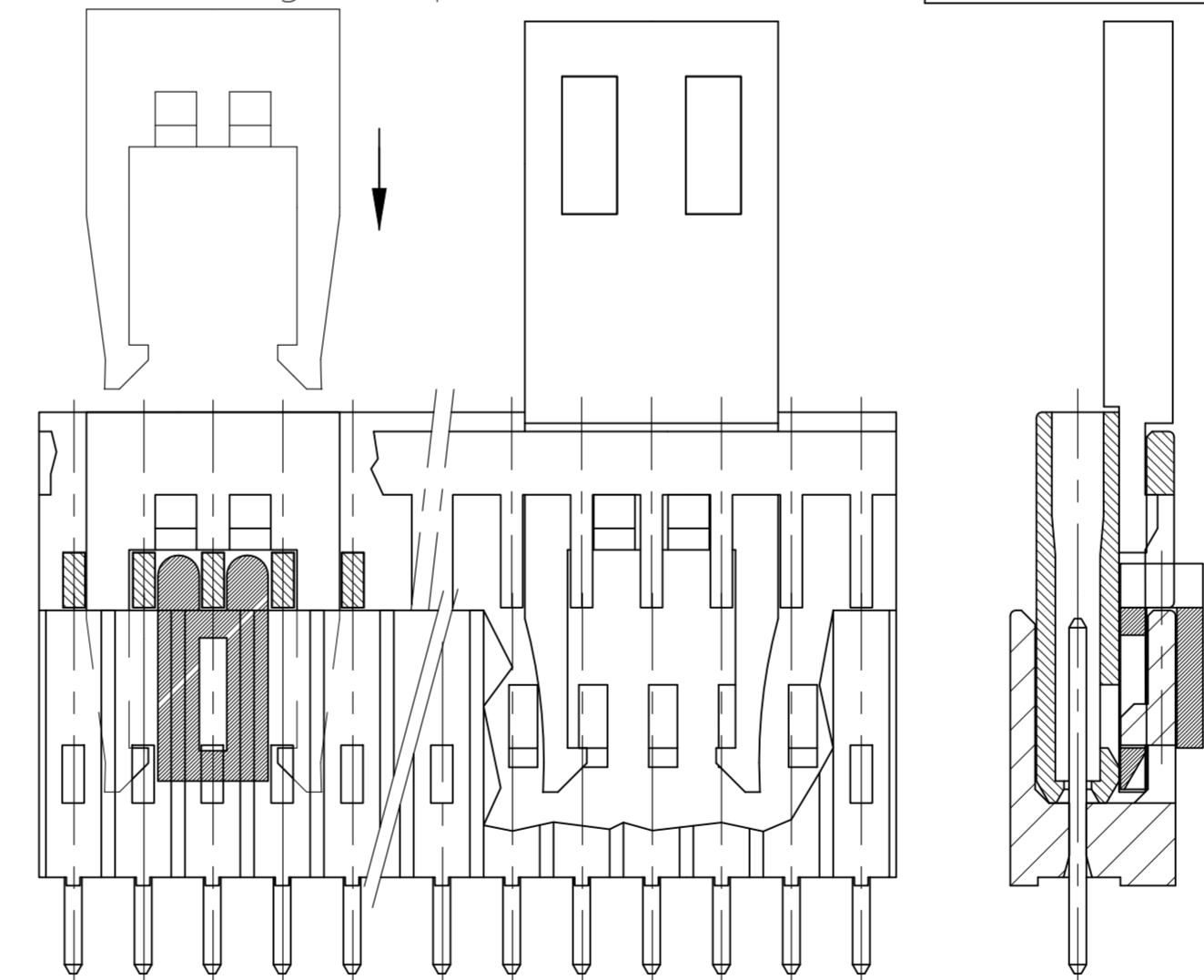


DOUBLE ROW 2x3 TO 2x13 POS.
Zweireihig 2x3 bis 2x13 polig



POS.	PART NUMBERS	POS.	PART NUMBERS	POS.	PART NUMBERS
2 TO 36	926475-2 3-926475-6	2x2 TO 2x36	926476-2 3-926476-6	2x3 TO 2x13	927009-3 1-927009-3

ASSEMBLED COMPONENTS (FOR EXAMPLE)



THIS DRAWING IS A CONTROLLED DOCUMENT.

DWN	A.HO	08MAR1985
CHK	M.SCHAARSCHMIDT	02MAY1985
APVD	-	-
PRODUCT SPEC	-	-
APPLICATION SPEC	-	-
WEIGHT	-	-
CUSTOMER DRAWING	SCALE 2:1	SHEET 1 of 2

TE TE Connectivity

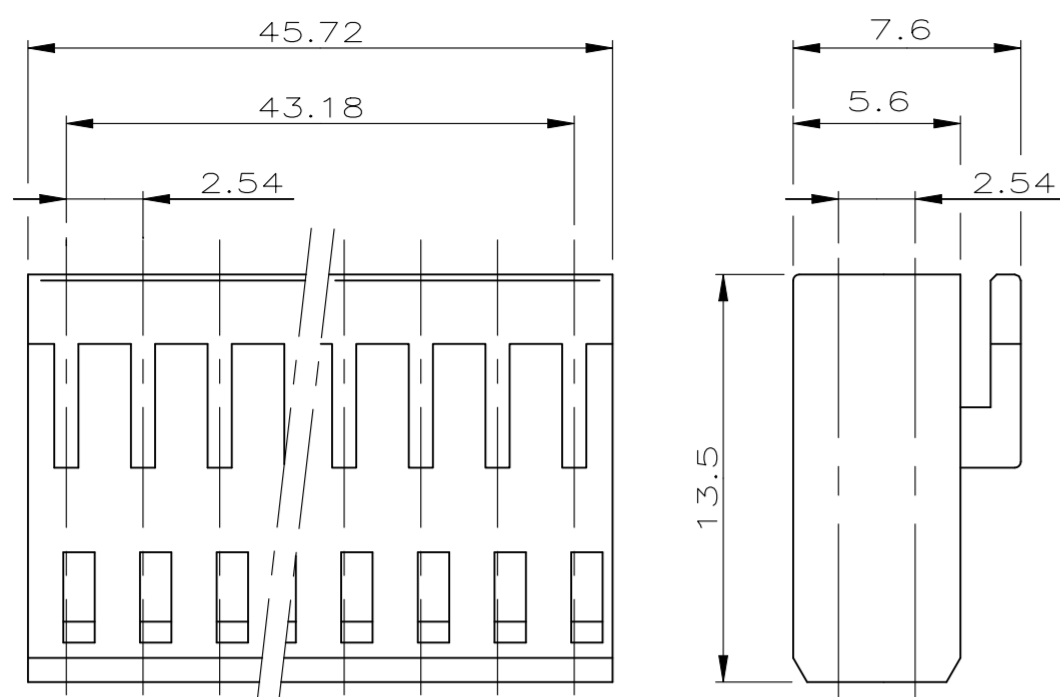
AMPMODU II / AMPMODU IV

SIZE A2 CAGE CODE 00779 DRAWING NO. 826467 RESTRICTED TO -

REVISION Y5

THIS DRAWING IS UNPUBLISHED. RELEASED FOR PUBLICATION
 © COPYRIGHT - By - ALL RIGHTS RESERVED.

REVISIONS				
P	LTR	DESCRIPTION	DATE	APVD
-	-	SEE SHEET 1	-	-



PN 6-926476-8
 2x18 POS. AMPMODU IV RECEPTACLE HOUSING
 2x18 POL. AMPMODU IV BUCHSENGEHÄUSE

PACKAGING
 Verpackung

PART NUMBER 5-826467-3 INCLUDING 75 PCS. OF PN 826467-3
 PACKED IN PLASTIC BOX (78mm x 78mm x 45mm)
 FOR TE-HARRISBURG ONLY

Bestell- Nummer 5-826467-3 enthält 75 Stk. PN 826467-3
 verpackt in Kunststoffschachtel (78mm x 78mm x 45mm)
 nur für TE-Harrisburg

- 1 CONTACT PIN/Kontaktstift: CuZn
 PLATING MATING AREA:
 MATING SIDE: Min 0.76µm (PdNi + Au FLASH) IN ZONE "F" OVER Min 1.27µm Ni
 (Alternative plating - Min 0.76µm Au OVER Min 1.27µm Ni)
- 2 SOLDER SIDE: MIN 3.0µm Sn OVER 1.27µm Ni
 CONTACT PIN/Kontaktstift: CuSn
 PRE TIN PLATED MIN. 2.0µm Sn OVER 1.27µm Ni (PIN TIPS BLANK)
 Vorverzinnt min. 2.0µm Sn über 1.27µm Ni (Stiftspitzen blank)
- MATERIAL:
 PIN HEADER
 Stiftgehäuse PCT-GV BLACK/schwarz
- RECEPTACLE HOUSING
 Buchsengehäuse PBT-GV BLACK/schwarz
- RETENTION PLUGS
 Rastgabeln PC-GV
- KEYING PLUG AND BLOCK
 Kodierstift, -block PA 6.6 GV
- FFC HOUSING
 FFC Gehäuse PBT-GV BLACK/schwarz
- 3 OBSOLETE PARTS
- 4 SUPERSEDED BY 926477-1
- 5 SUPERSEDED BY 926478-1 AND 926478-2

826467

THIS DRAWING IS A CONTROLLED DOCUMENT.		DWN M.SCHAARSCHMIDT 27OCT1985	TE Connectivity	
DIMENSIONS: mm		CHK W.MORITZ 30OCT1985		
TOLERANCES UNLESS OTHERWISE SPECIFIED: ±0.2mm		APVD -	NAME AMPMODU II / AMPMODU IV	
		PRODUCT SPEC -	SIZE A2	
MATERIAL -		APPLICATION SPEC -	CAGE CODE 00779	DRAWING NO C=826467
FINISH -		WEIGHT	RESTRICTED TO -	SCALE 2:1
CUSTOMER DRAWING			SHEET 2 OF 2	REV Y5