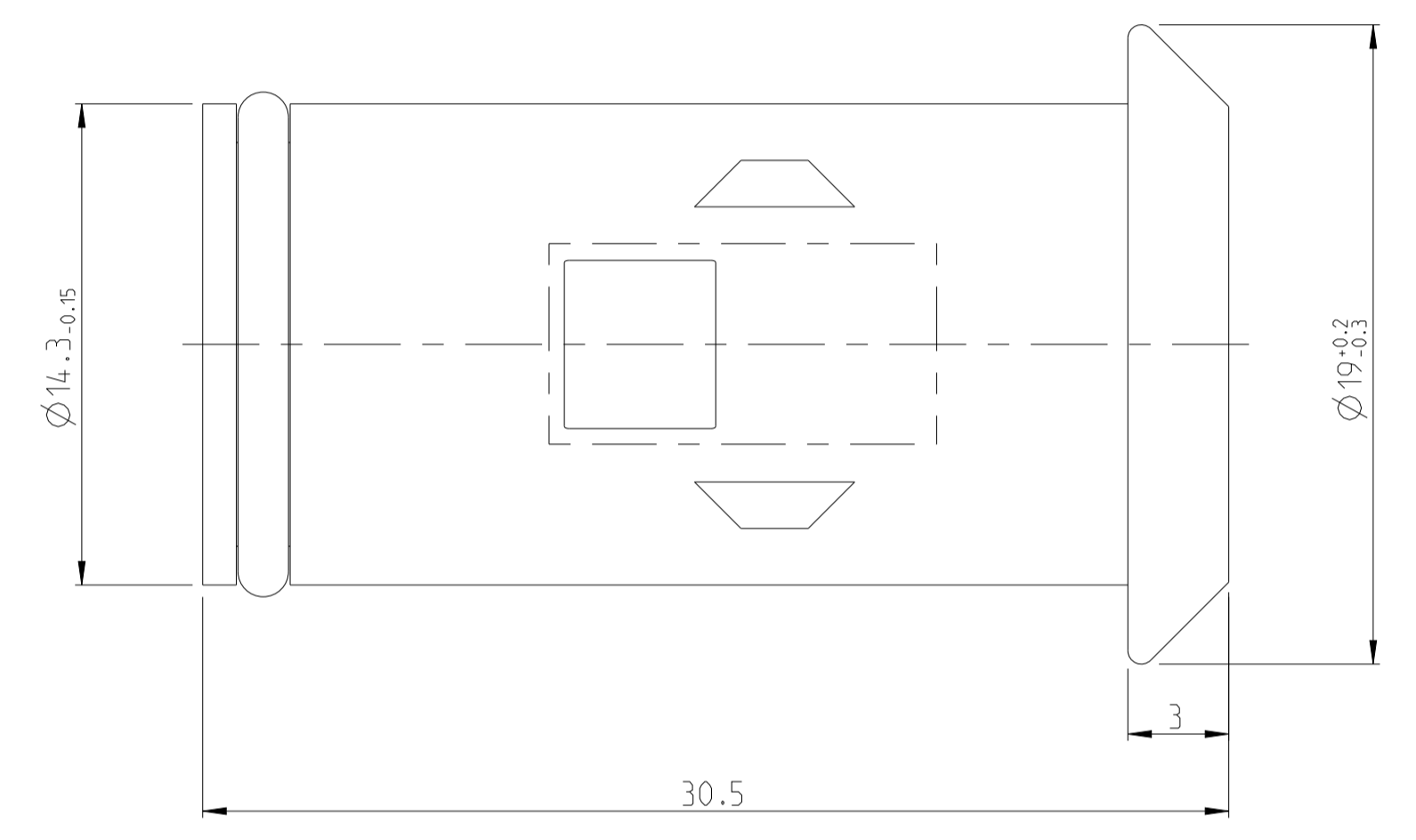
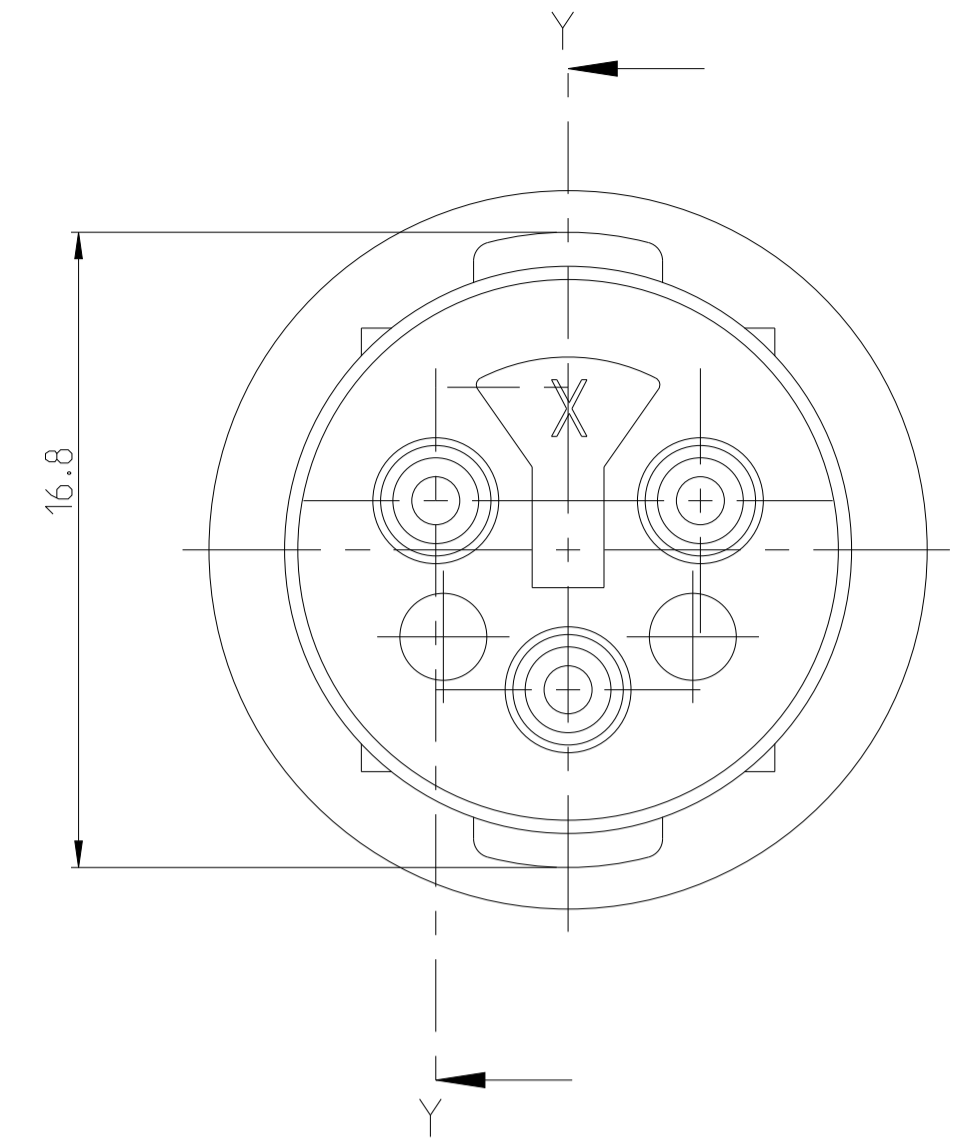
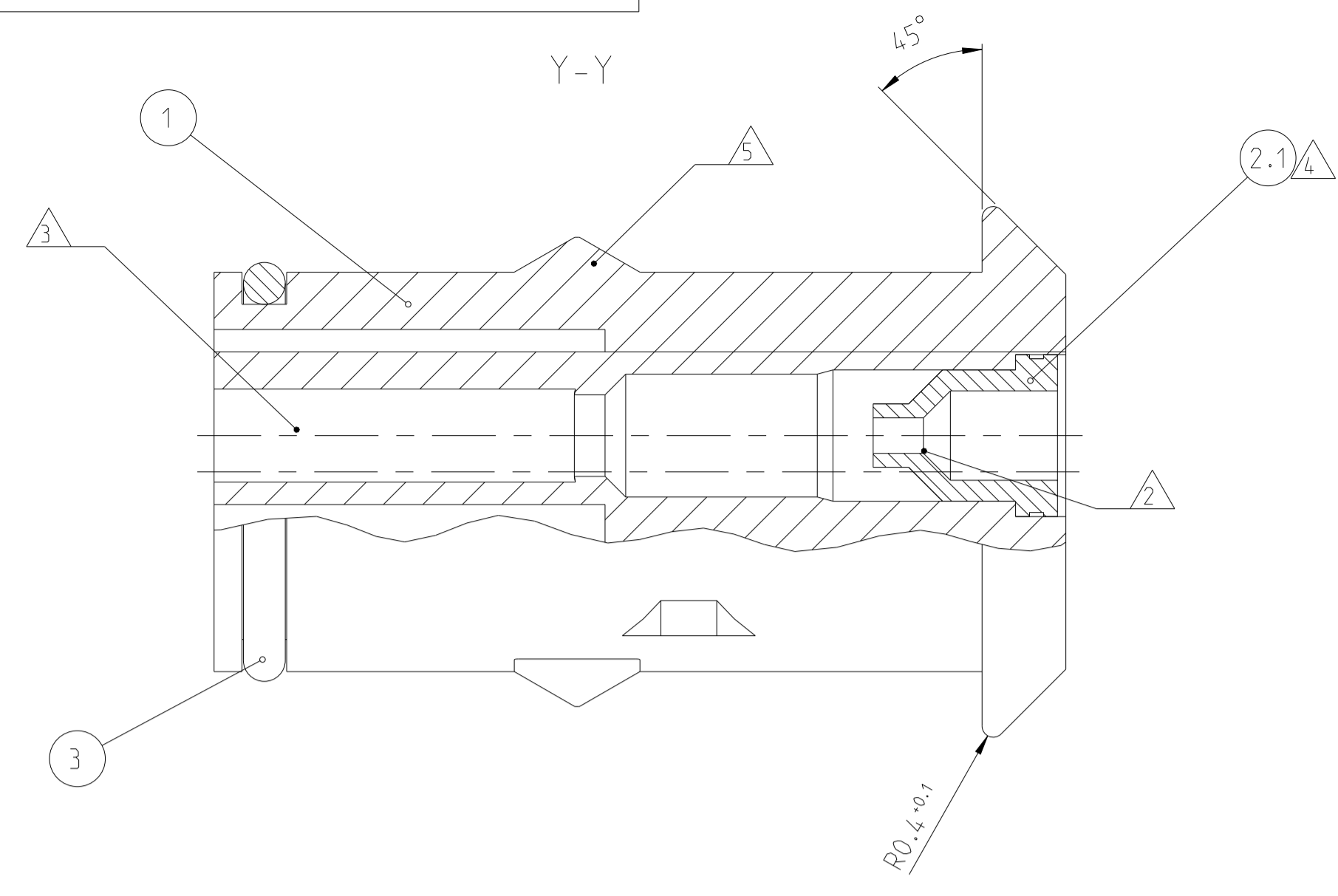


REVISONS		DATE	OWN	APVD
H2	ECR-12-013691	02AUG2012	GB	SzG
H3	ECR-15-002210	05MAR2015	GB	SzG
H4	ECR-16-009474	21JUL2016	LSZ	GB
H5	ECR-20-010381	10DEC2021	KMD	MN

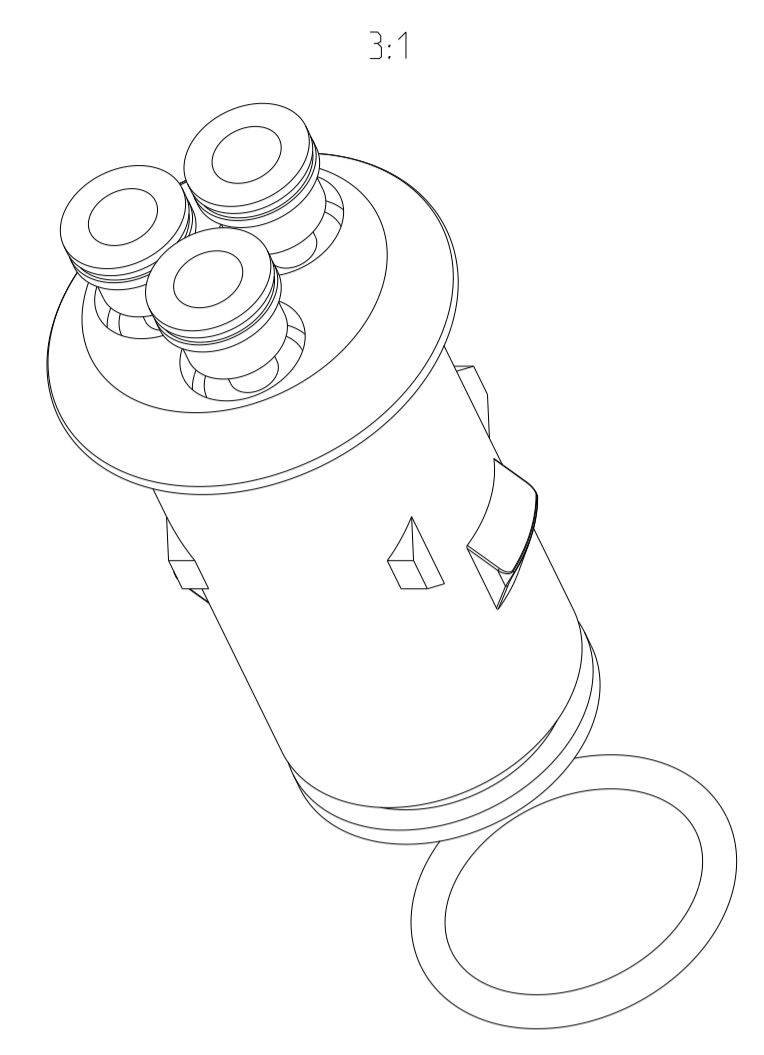
-4 wie gezeichnet
AS SHOWN



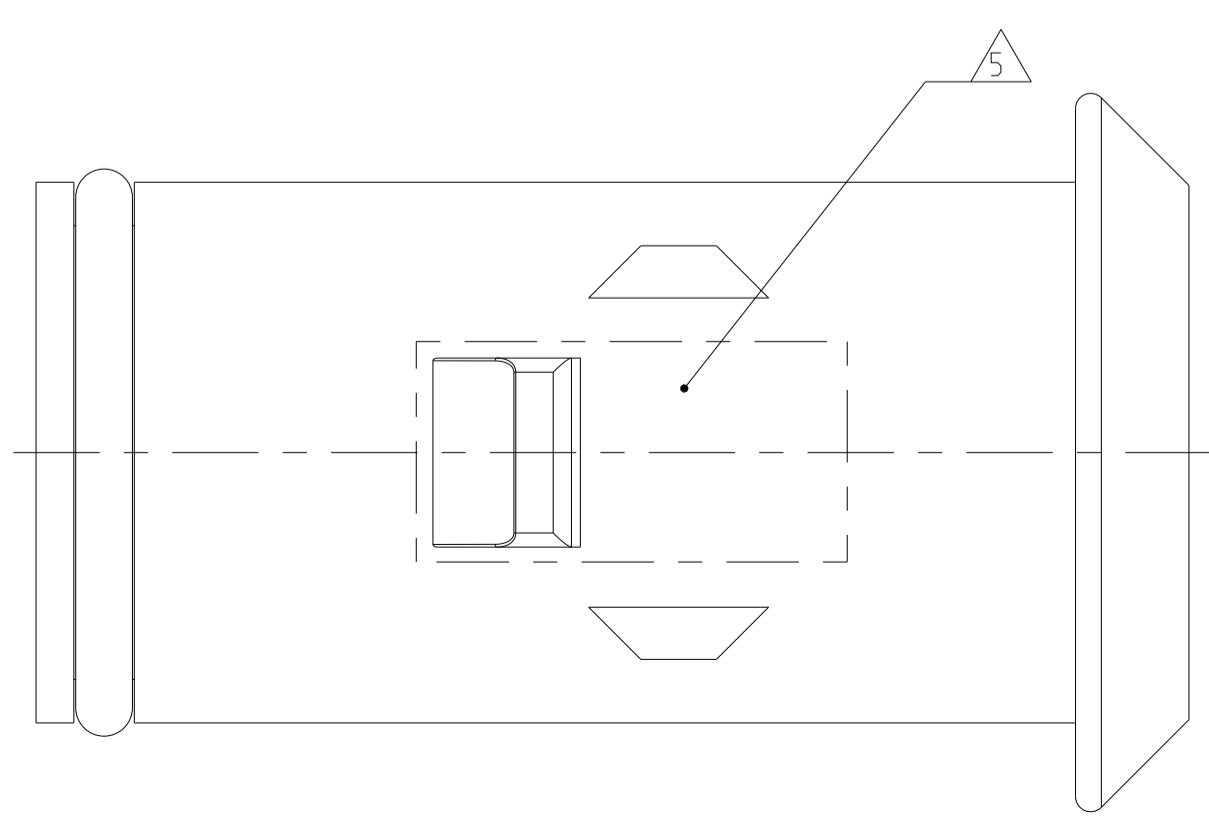
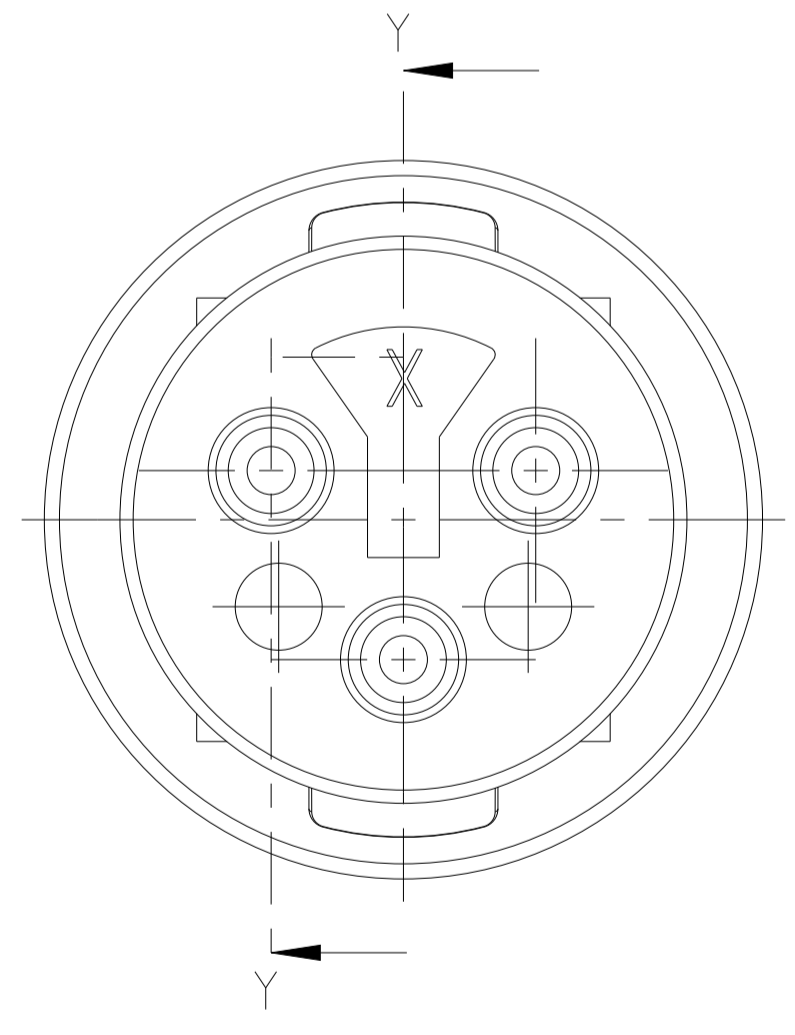
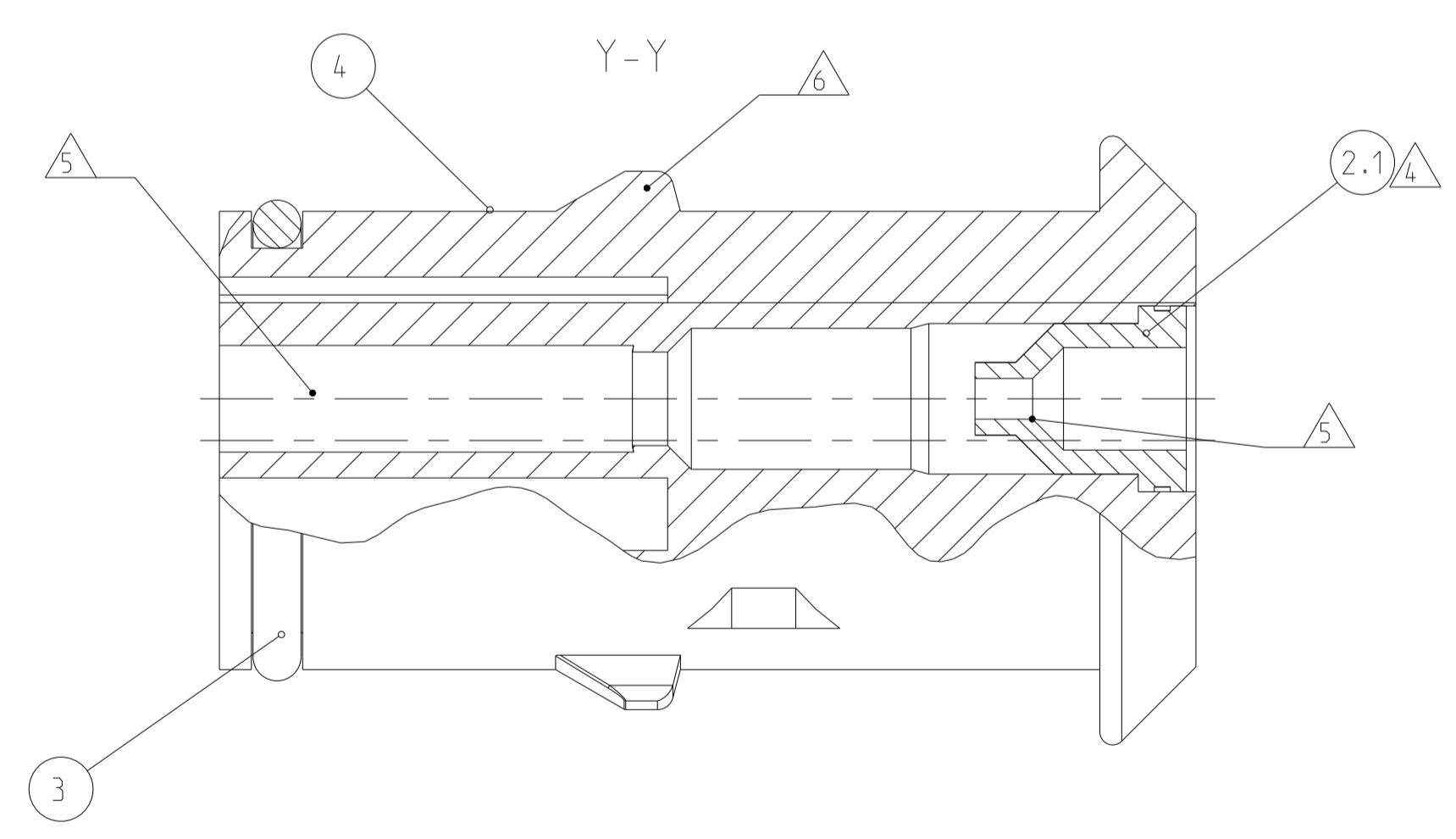
H2 H3

Bemerkungen / Notes:

- Teile in Lupolenbeutel luftdicht verpackt (500/1000 Sctk.)
Parts must be airtight packaged in bags of lupolen (500/1000 pieces)
- Geschmiert mit Gleitmittel Hellerine (Fa. Hellermannnyton) direkt vor dem Einsetzen des Kontaktes
Lubricated with Hellerine 625 (Hellermannnyton) right before contact insertion
- Kammer für Buschenkontakt CIC, C1-2 od. Type III
Cavity for socket contact CIC, C1-2 or Type III
- Dichtungstülle für Litzenleitung mit Isolationsdurchmesser von 2.3-3.0mm
Seal for wire with isolationdiameter 2.3 - 3.0 mm
- Dichtungstülle für Litzenleitung mit Isolationsdurchmesser von 1.3-2.3 mm
Seal for wire with isolationdiameter 1.3 - 2.3 mm
- Keying Form with the Mating Connector: Click Stop
- Keying Form with the Mating Connector: Locking



1-...-2 wie gezeichnet
AS SHOWN



ASSY NO	REV.	DESCRIPTION	MATERIAL	COLOUR	QTY.	ITEM NO
OBSOLETE	2-826886-2	H	SEAL Δ_{10}	NEOPRENE	GREY	3 2.1
			O-RING	NEOPRENE	BLACK	1 3
			3 POS. SOCKET HOUSING	PA 6.6 GFV13	GREEN	1 4
OBSOLETE	2-826886-1	H	SEAL Δ_{11}	NEOPRENE	BLACK	3 2.2
			O-RING	NEOPRENE	BLACK	1 3
			3 POS. SOCKET HOUSING	PA 6.6 GFV13	NATURAL	1 4
			SEAL Δ_{10}	NEOPRENE	GREY	3 2.1
			O-RING	NEOPRENE	BLACK	1 3
			3 POS. SOCKET HOUSING	PA 6.6 GFV13	NATURAL	1 4
			SEAL Δ_{11}	NEOPRENE	BLACK	3 2.2
			O-RING	NEOPRENE	BLACK	1 3
			3 POS. SOCKET HOUSING	PA 6.6 GFV13	BLACK	1 4
			SEAL Δ_{11}	NEOPRENE	BLACK	3 2.2
			O-RING	NEOPRENE	BLACK	1 3
			3 POS. SOCKET HOUSING	PA 6.6 GFV13	YELLOW	1 4
			SEAL Δ_{10}	NEOPRENE	GREY	3 2.1
			O-RING	NEOPRENE	BLACK	1 3
			3 POS. SOCKET HOUSING	PA 6.6 GFV13	YELLOW	1 4
			SEAL Δ_{10}	NEOPRENE	GREY	3 2.1
			O-RING	NEOPRENE	BLACK	1 3
			3 POS. SOCKET HOUSING	PA 6.6 GFV13	RED	1 4
			SEAL Δ_{10}	NEOPRENE	GREY	3 2.1
			O-RING	NEOPRENE	BLACK	1 3
			3 POS. SOCKET HOUSING	PA 6.6 GFV13	BLACK	1 4
			O-RING	NEOPRENE	BLACK	1 3
			3 POS. SOCKET HOUSING	PA 6.6 GFV13	BLACK	1 4
			SEAL Δ_{11}	NEOPRENE	BLACK	3 2.2
			O-RING	NEOPRENE	BLACK	1 3
			3 POS. SOCKET HOUSING	PA 6.6 GFV13	BLACK	1 1
			SEAL Δ_{10}	NEOPRENE	GREY	3 2.1
			O-RING	NEOPRENE	BLACK	1 3
			3 POS. SOCKET HOUSING	PA 6.6 GFV13	YELLOW	1 1
			SEAL Δ_{10}	NEOPRENE	GREY	3 2.1
			O-RING	NEOPRENE	BLACK	1 3
			3 POS. SOCKET HOUSING	PA 6.6 GFV13	RED	1 1
			SEAL Δ_{10}	NEOPRENE	GREY	3 2.1
			O-RING	NEOPRENE	BLACK	1 3
			3 POS. SOCKET HOUSING	PA 6.6 GFV13	BLACK	1 1
OBSOLETE	826886-1	H	O-RING	NEOPRENE	BLACK	1 3
			3 POS. SOCKET HOUSING	PA 6.6 GFV13	BLACK	1 1

ACHTUNG !
Eine einwandfreie Funktion dieser Stecker kann nur bei Verwendung von Original-TEC-Teilen und genauer Einhaltung der Verarbeitungs- und schriftlichen Spezifikationen garantiert werden.
CAUTION !

A faultless operation of this connectors can be guaranteed only if original TEC parts are used and exact observance of processing specifications.

THIS DRAWING IS A CONTROLLED DOCUMENT. DWG: ADAMSKI 21OCT1982
CHK: WENDLING 25OCT1982

TE Connectivity

NAME: 3POS. ECONOSEAL SOCKET-HOUSING ASS'Y

SIZE: A1 CAGE CODE: 00779 DRAWING NO: 826886

SCALE: 5:1 SHEET: 1 OF 1 REV: H5