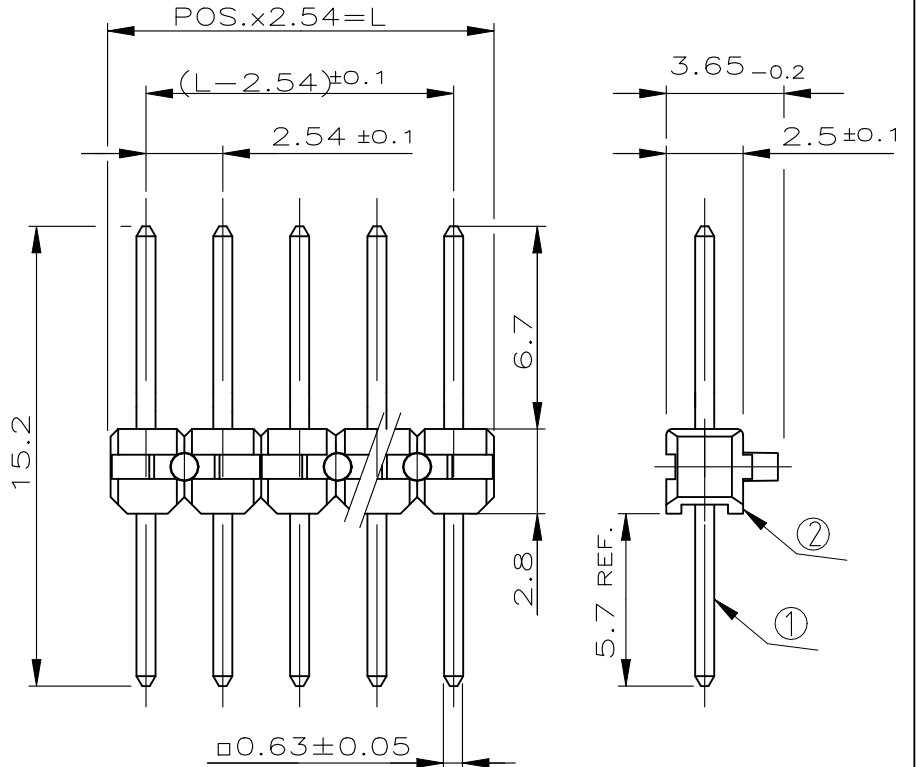


REVISIONS					
P	LTR	DESCRIPTION	DATE	DWN	APVD
	F1	PART OBSOLESCENCE	25MAR2024	KA	SS

POS.	L±0.5	PART NUMBER
1	2.54	827312 -1 $\triangle 1$
2	5.08	827312 -2
3	7.62	-3
4	10.16	-4
5	12.70	-5
6	15.24	-6
7	17.78	-7
8	20.32	-8
9	22.86	-9
10	25.40	1- -0
11	27.94	1- -1
12	30.48	1- -2
13	33.02	1- -3
14	35.56	1- -4
15	38.10	1- -5
16	40.64	1- -6
17	43.18	1- -7
18	45.72	1- -8
19	48.26	1- -9
20	50.80	2- -0
21	53.34	2- -1 $\triangle 1$
22	55.88	2- -2 $\triangle 1$
23	58.42	2- -3 $\triangle 1$
24	60.96	2- -4 $\triangle 1$
25	63.50	2- -5 $\triangle 1$
26	66.04	2- -6 $\triangle 1$
27	68.58	2- -7 $\triangle 1$
28	71.12	2- -8 $\triangle 1$
29	73.66	2- -9 $\triangle 1$
30	76.20	3- -0 $\triangle 1$
31	78.74	3- -1 $\triangle 1$
32	81.28	3- -2 $\triangle 1$
33	83.82	3- -3 $\triangle 1$
34	86.36	3- -4 $\triangle 1$
35	88.90	3- -5 $\triangle 1$
36	91.44	3- -6 $\triangle 1$
37	93.98	3- -7 $\triangle 1$
38	96.52	3- -8 $\triangle 1$
39	99.06	3- -9 $\triangle 1$
40	101.60	4- -0 $\triangle 1$
41	104.14	4- -1 $\triangle 1$
42	106.68	4- -2 $\triangle 1$
43	109.22	4- -3 $\triangle 1$
44	111.76	4- -4 $\triangle 1$
45	114.30	4- -5 $\triangle 1$
46	116.84	4- -6 $\triangle 1$
47	119.38	4- -7 $\triangle 1$
48	121.92	4- -8 $\triangle 1$
49	124.46	4- -9 $\triangle 1$
50	127.00	5- 827312 -0



NOTES:

- $\triangle 1$ MIN. 3 μ m TIN OVER 1.27 μ m NICKEL
- $\triangle 2$ OBSOLETE

DESCRIPTION	MATERIAL	COLOR/FINISH	ITEM NUM
PIN HOUSING	PCT	BLACK	2
CONTACT PIN	CuZn	$\triangle 1$	1

TE Connectivity. All Rights Reserved.



DIMENSIONS: mm	DWN	13.02.79	MATERIAL	-	FINISH	-
	CHK	16.02.79	TE Connectivity			
TOLERANCES UNLESS OTHERWISE SPECIFIED: ±0.2mm	APVD	09.04.81				
0 PLC ± -	PRODUCT SPEC	108-18012	NAME			
1 PLC ± -	APPLICATION SPEC	-	AMPMODU II PIN HEADER			
2 PLC ± -	WEIGHT	-	SIZE	CAGE CODE	DRAWING NO	RESTRICTED TO
3 PLC ± -			A4	00779	C-827312	-
4 PLC ± -			CUSTOMER DRAWING			
ANGLES ± -			SCALE	SHEET	REV	
			4:1	1 OF 1	F1	