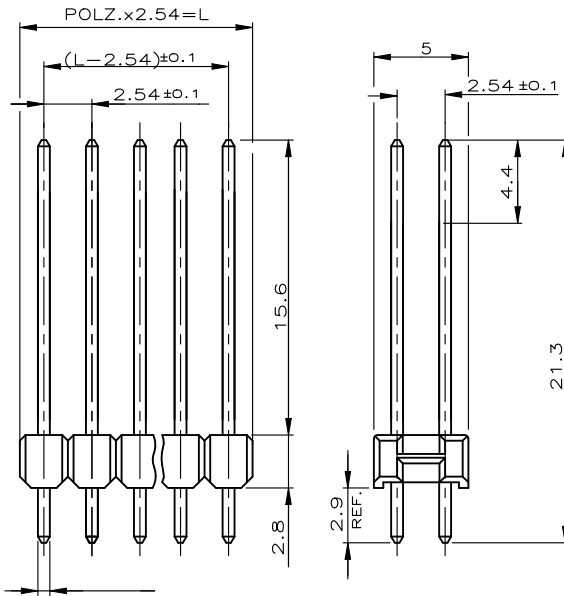


REVISIONS

P	LTR	DESCRIPTION	DATE	DWN	APVD
	C1	NOTE 1 0.76µm PLATING UPDATE (PdNi+AuFLASH)	14JUL2023	BGC	PS

POLZ. PRO REIHE	L ±0.4	BESTELL-NR.
-	-	
2	5.08	828 132 2
3	7.62	-3
4	10.16	-4
5	12.70	-5
6	15.24	-6
7	17.78	-7
8	20.32	-8
9	22.86	-9
10	25.40	0
11	27.94	1
12	30.48	2
13	33.02	3
14	35.56	4
15	38.10	5
16	40.64	6
17	43.18	7
18	45.72	8
19	48.26	9
20	50.80	0
21	53.34	1
22	55.88	2
23	58.42	3
24	60.96	4
25	63.50	5
26	66.04	6
27	68.58	7
28	71.12	8
29	73.66	9
30	76.20	3-
31	78.74	3-
32	81.28	3-
33	83.82	3-
34	86.36	3-
35	88.90	3-
36	91.44	3-
37	93.98	3-
38	96.52	3-
39	99.06	3-
40	101.60	4-
41	104.14	4-
42	106.68	4-
43	109.22	4-
44	111.76	4-
45	114.30	4-
46	116.84	4-
47	119.38	4-
48	121.92	4-
49	124.46	4-
50	127.00	5- 828 132 0



□0.63

STECKSEITE: IM BEREICH "F" 0.76µm (PdNi + Au FLASH)
(alternative plating – min 0.76µm au plating)
ÜBER 1.27µm NICKEL

LÖTSEITE: MIN. 2.5µm ZINN ÜBER 1.27µm NICKEL

OBSELETE PARTS: OBSELETE CIS STREAMLINING PER D.RENAUD/D.SINISI

KONTAKTSTIFT	Cu Zn	
STIFTGEHÄUSE	PBT GV	GRÜN
BENENNUNG	WERKSTOFF	OBERFLÄCHE
		FARBE

TE Connectivity. All Rights Reserved.



DIMENSIONS:	DWN	31.08.89
mm	G.HOLAUS	
TOLERANCES UNLESS OTHERWISE SPECIFIED:	CHK	-
±0.2	SCHAAR.	
0 PLC ± -	APVD	-
1 PLC ± -	PRODUCT SPEC	
2 PLC ± -	108-18012	
3 PLC ± -	APPLICATION SPEC	
4 PLC ± -		
ANGLES ± -	WEIGHT	-

MATERIAL	-	FINISH	-
TE Connectivity			
NAME			
AMPMODU II STIFTLASTE ZWEIREIHIG			
SIZE	CAGE CODE	DRAWING NO	RESTRICTED TO
A4	00779	C-828132	-

CUSTOMER DRAWING	SCALE	4:1	SHEET	1 OF 1	REV	C1
------------------	-------	-----	-------	--------	-----	----