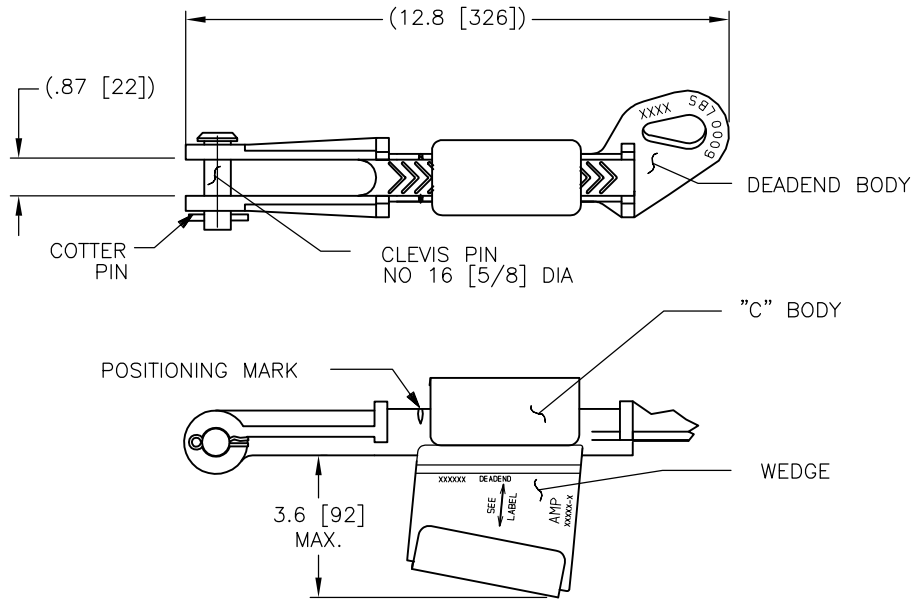


THIS DRAWING IS UNPUBLISHED. RELEASED FOR PUBLICATION  
 © COPYRIGHT - By - ALL RIGHTS RESERVED.

| REVISIONS |     |                              |           |     |      |
|-----------|-----|------------------------------|-----------|-----|------|
| P         | LTR | DESCRIPTION                  | DATE      | DWN | APVD |
| C         |     | LC20-0174-08 / ECO-08-017575 | 23JUL2008 | DM  | BJ   |
| F         |     | LC20-0039-14 / ECO-14-005434 | 23APR2014 | JG  | BJ   |
| G         |     | LC20-0078-16 / ECO-16-010131 | 07JUL2016 | JG  | BJ   |
| H         |     | LC20-0055-17 / ECO-17-006928 | 09MAY2017 | DM  | BJ   |



- 1 DIMENSIONS ARE FOR REFERENCE ONLY
- 2 MATERIAL:  
 DEADEND BODY, C BODY, AND WEDGE:  
 ALUMINUM ALLOY.  
 CLEVIS PIN: GALVANIZED STEEL.  
 COTTER PIN: STAINLESS STEEL.

|                                 |          |
|---------------------------------|----------|
| DEADEND ASSY 954 AAC / 795 ACSR | 83589-7  |
| DEADEND ASSY 795 AAC            | 83589-6  |
| DEADEND ASSY 556 AAC            | 83589-4  |
| DEADEND ASSY 477 AAC            | 83589-3  |
| DEADEND ASSY 336 AAC            | 83589-2  |
| DEADEND ASSY 266 AAC            | 83589-1  |
| DESCRIPTION                     | PART NO. |

|  |  |  |                 |                                |                    |
|--|--|--|-----------------|--------------------------------|--------------------|
| THIS DRAWING IS A CONTROLLED DOCUMENT. |  | DWN<br>M. HOECKE<br>NOV93              | TE Connectivity |                                |                    |
| DIMENSIONS:<br>INCHES [mm]             |  | CHK<br>-                               |                 |                                |                    |
|  |  | TOLERANCES UNLESS OTHERWISE SPECIFIED: |                 | APVD<br>G. MCINTOSH<br>23NOV93 |                    |
| MATERIAL<br>SEE NOTE 2                 |  | FINISH<br>-                            |                 | PRODUCT SPEC<br>-              |                    |
|  |  |  |                 | APPLICATION SPEC<br>-          |                    |
|  |  |  |                 | WEIGHT<br>0                    |                    |
|  |  |  |                 | SIZE<br>A3                     | CAGE CODE<br>00779 |
|  |  |  |                 | DRAWING NO<br>C-83589          |                    |
|  |  |  |                 | RESTRICTED TO<br>-             |                    |
|  |  |  |                 | SCALE<br>NTS                   | SHEET<br>1 OF 1    |
|  |  |  |                 | REV<br>H                       |                    |