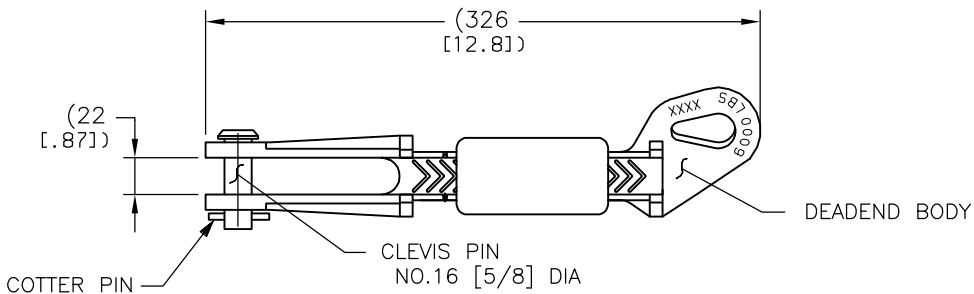


THIS DRAWING IS UNPUBLISHED. RELEASED FOR PUBLICATION  
 © COPYRIGHT - By - ALL RIGHTS RESERVED.

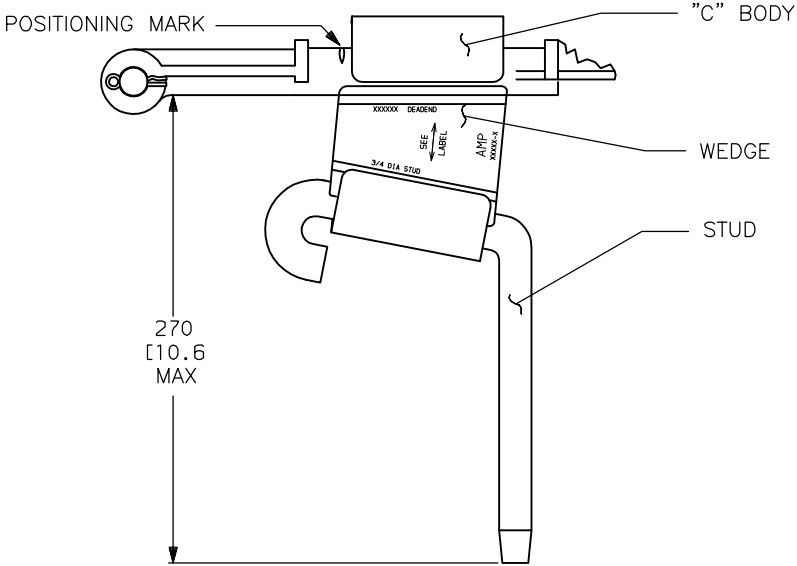
REVISIONS					
P	LTR	DESCRIPTION	DATE	DWN	APVD
G		INIT REL PER 2000-132-93	NOV1993	MH	GM
F		LC20-0039-14 / ECO-14-005434	23APR2014	JG	BJ
G		LC20-0055-17 / ECO-17-006928	09MAY2017	DM	BJ



1  
 2

DIMENSIONS ARE FOR REFERENCE ONLY

MATERIAL:  
 DEADEND BODY, C BODY, AND WEDGE: ALUMINUM  
 STUD: TIN PLATED COPPER  
 COTTER PIN: STAINLESS STEEL  
 CLEVIS PIN: GALVANIZED STEEL



DEADEND ASSY W/STUD 556 AAC	83590-4
DEADEND ASSY W/STUD 477 AAC	83590-3
DEADEND ASSY W/STUD 336 AAC	83590-2
DEADEND ASSY W/STUD 266 AAC	83590-1
DESCRIPTION	PART NO.

THIS DRAWING IS A CONTROLLED DOCUMENT.		DWN M. HOECKE NOV1993			
DIMENSIONS: mm [INCHES]		CHK -			
TOLERANCES UNLESS OTHERWISE SPECIFIED:		APVD G. MCINTOSH 23NOV1993	DEADEND ASSEMBLY W/ STUD		
0 PLC ± - 1 PLC ± - 2 PLC ± - 3 PLC ± - 4 PLC ± - ANGLES ± -		PRODUCT SPEC -	SIZE A3	CAGE CODE 00779	DRAWING NO C=83590
MATERIAL SEE NOTE 2		FINISH -	WEIGHT 0	RESTRICTED TO -	
CUSTOMER DRAWING			SCALE NTS	SHEET 1 OF 1	REV G