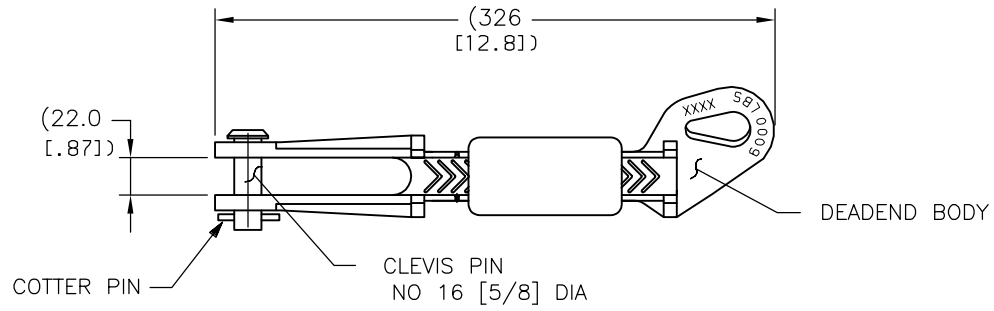


THIS DRAWING IS UNPUBLISHED. RELEASED FOR PUBLICATION
 © COPYRIGHT - By - ALL RIGHTS RESERVED.

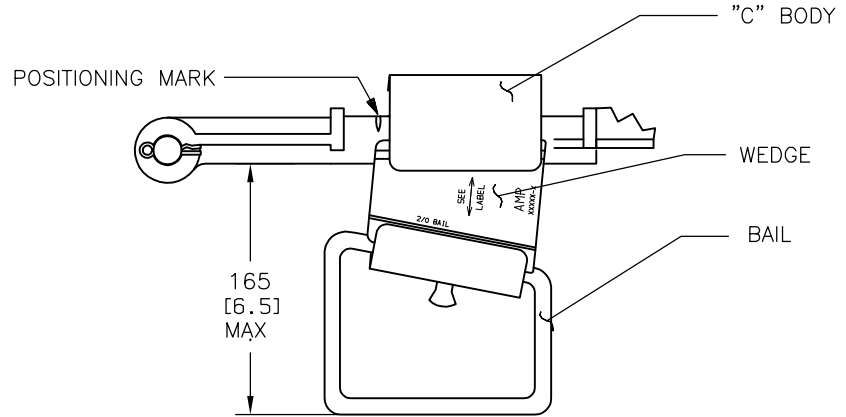
REVISIONS					
P	LTR	DESCRIPTION	DATE	DWN	APVD
A		INT REL 2000-132-93	NOV1993	MH	GM
F		LC20-0039-14 / ECO-14-005434	23APR2014	JG	BJ
G		LC20-0055-17 / ECO-17-006928	09MAY2017	DM	BJ



1
2

DIMENSIONS ARE FOR REFERENCE ONLY

MATERIAL:
 DEADEND BODY, C BODY, AND WEDGE: ALUMINUM
 BAIL: TIN PLATED COPPER
 COTTER PIN: STAINLESS STEEL
 CLEVIS PIN: GALVANIZED STEEL



DEADEND ASSY W/BAIL 556 AAC	83591-4
DEADEND ASSY W/BAIL 477 AAC	83591-3
DEADEND ASSY W/BAIL 336 AAC	83591-2
DEADEND ASSY W/BAIL 266 AAC	83591-1
DESCRIPTION	PART NO.

THIS DRAWING IS A CONTROLLED DOCUMENT.		DWN M. HOECKE NOV1993	TE Connectivity		
DIMENSIONS: mm [INCHES]		CHK -			
TOLERANCES UNLESS OTHERWISE SPECIFIED:		APVD G. MCINTOSH 23NOV1993	NAME		
0 PLC ± - 1 PLC ± - 2 PLC ± - 3 PLC ± - 4 PLC ± - ANGLES ± -		PRODUCT SPEC -	DEADEND ASSEMBLY W/ BAIL		
MATERIAL SEE NOTE 2		FINISH -	APPLICATION SPEC -	SIZE A3	RESTRICTED TO -
		WEIGHT 0	CAGE CODE 00779	DRAWING NO C-83591	
CUSTOMER DRAWING			SCALE NTS	SHEET 1 OF 1	REV G