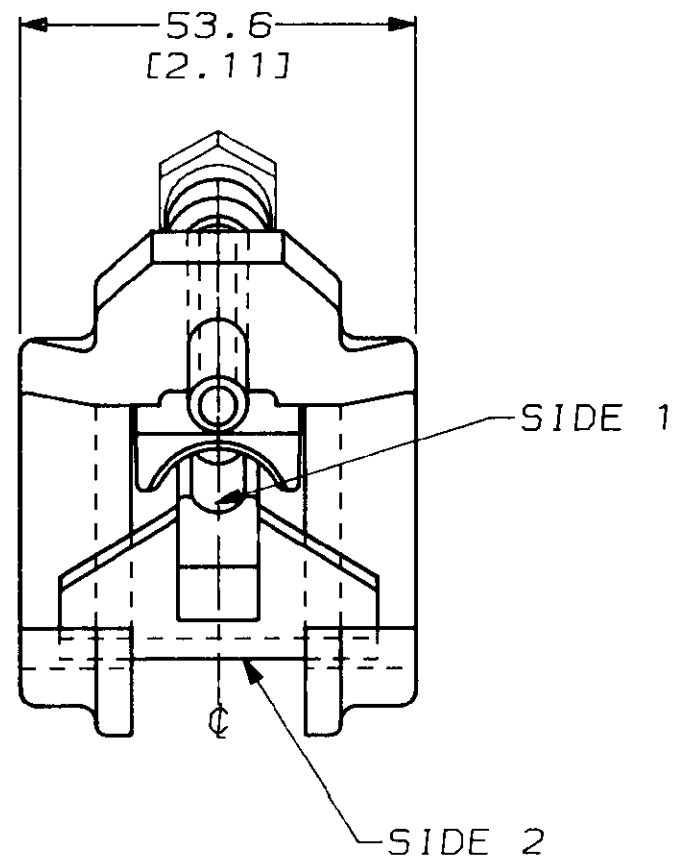
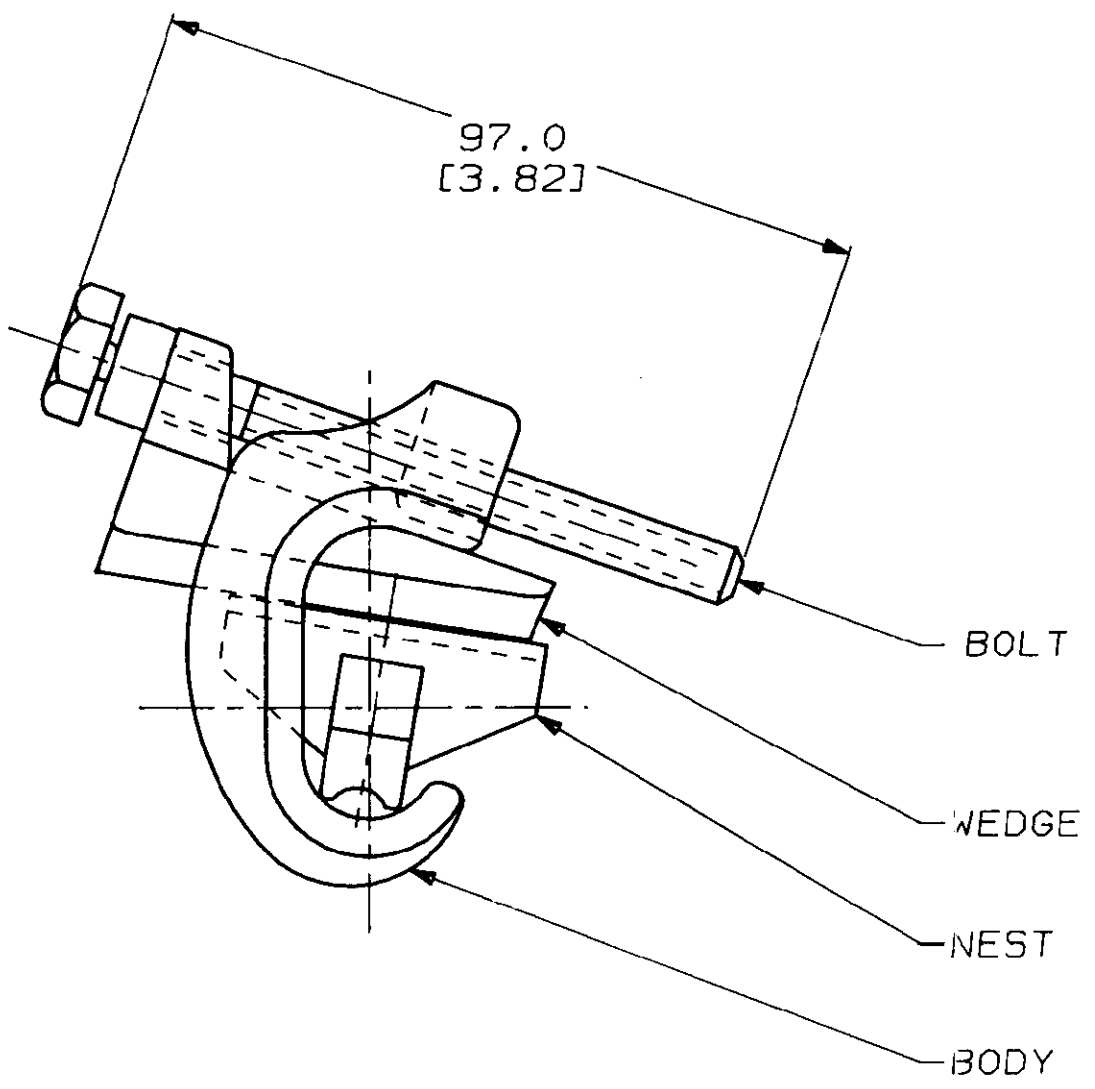


THIS DRAWING IS UNPUBLISHED. RELEASED FOR PUBLICATION ,19 .  
 © COPYRIGHT 19 BY AMP OF CANADA LTD. ALL INTERNATIONAL RIGHTS RESERVED.

LOC	DIST	P	F	ZONE	LTR	DESCRIPTION	DATE	APPD
BG	1				A	INITIAL REL PER EC-2000-121-93	24NOV93	111

1. DIMENSIONS ARE FOR REFERENCE ONLY.



2/0	2/0	2/0	2/0	83747-4
1/0	1/0	1/0	2/0	83747-3
2	2	1/0	2/0	83747-2
2	2	2	2	83747-1
SIDE 2		SIDE 1		PART NO
WIRE SIZE				

**METRIC**

DO NOT SCALE PRINT. UNLESS SPECIFIED DIMENSIONS IN mm [INCHES] TOLERANCES ON: 2 PLC DEC ± - 3 PLC DEC ± - ANGLES ± -	DR C. RICHTER 24NOV93	<b>AMP</b> AMP of CANADA Ltd. Markham, Ont.	
	CHK -	NAME	
MATERIAL N/A	APPD -	CONNECTOR, OFFSET NEST, SMALL, GROUNDING GRID	
FINISH N/A	APPD -	SIZE <b>B</b>	CAGE CODE 09482
	PRODUCT SPEC -	DRAWING NO 83747	
	APPLICATION SPEC -	SCALE 1:1	SHEET 1 OF 1
	WEIGHT -		

MENTEMD... S M S DAVE NOT... DAVE ON TO TAN 1994 @ 13.47:30 FROM <CAD/CAM>MIF