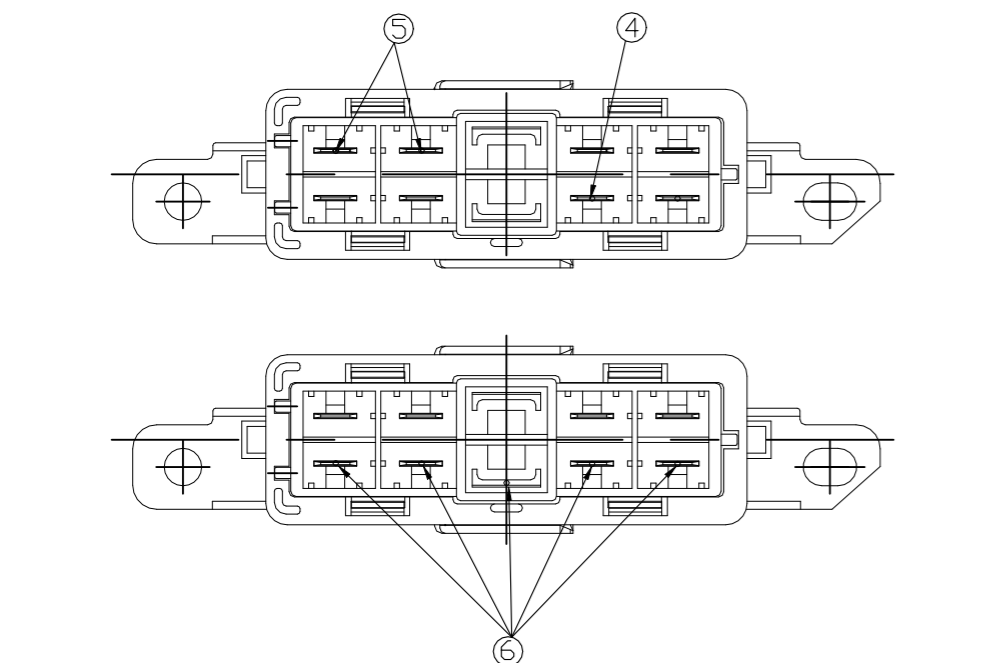
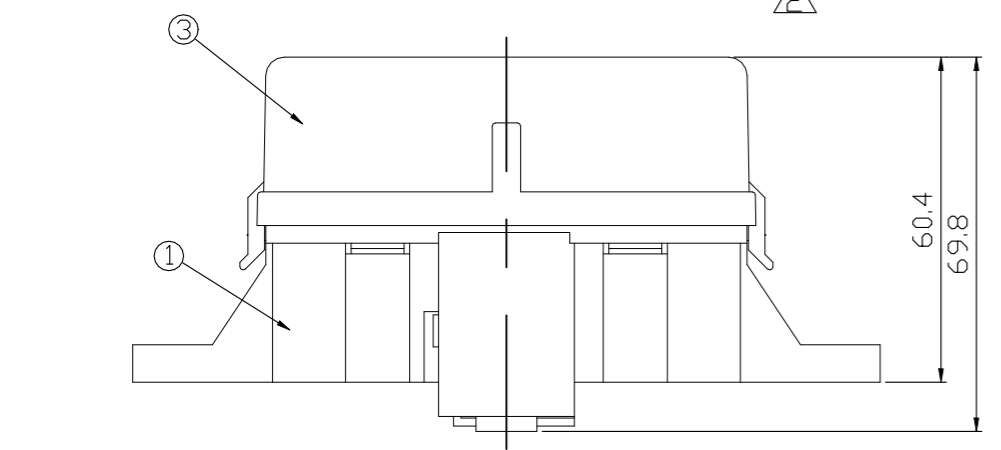
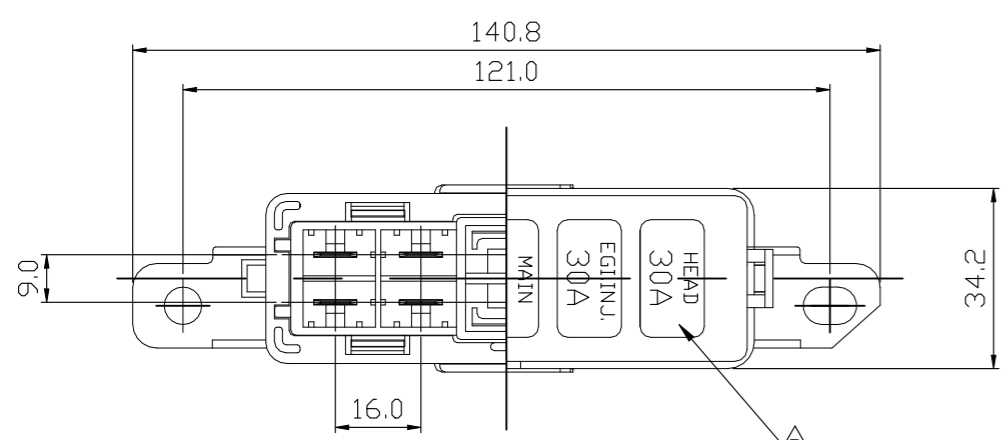


REVISIONS

P	LTR	DESCRIPTION	DATE	DWN	APVD
	K5	REVISED PER ECR-23-175897	21SEP2023	RK	JT



CONTACT LAYOUT

NOTE

- 1. GENERAL TOLERANCES : ±0.15 , ±1°30'
- PRINTED LETTER SHOULD BE CLEAR & LEGIBLE.
- MUST BE CHECKED COMPLETE LOCKING.
- REFERENCE ONLY, SHOULD NOT BE BOLTED.
- CONTACT LAYOUT SHOULD BE CONFIRMED.
- MATING BLDT TORQUE SPEC : 6N.m±1 (TORQUE SPEC EXCEPT TO FUSE STATUS) : MAX 5N.m)

SILK SCREEN LAYOUT

1. TYPE "A" : 85039-1
④ / 1-85039-3~4

2. TYPE "B" : 85039-2

3. TYPE "C" : 85039-3

4. TYPE "D" : 85039-4(KH-III)

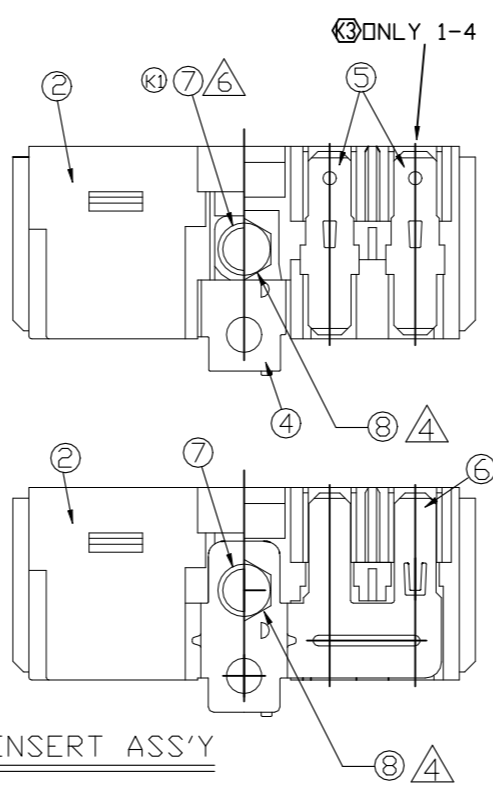
5. TYPE "E" : 85039-5(NT-III)

6. TYPE "F" : 85039-6

7. TYPE "G" : 85039-7

8. TYPE "H" : 85039-8

9. TYPE "I" : 1-85039-1



FUSE BOX INSERT ASS'Y

QTY	UNIT	DESCRIPTION	PART NO.	DESCRIPTION	ITEM NO.								
2	2	SWCH10A	368981-1	HEXAGON BOLT	⑧								
2	2	SWCH10A	368982-1	SQUARE NUT	⑦								
1	1	BRASS	368838-1	5 POS. BUS-BAR	⑥								
1	1	BRASS	85351-1	.305 L/P TAB	⑤								
1	1	BRASS	85350-1	2 POS. BUS-BAR	④								
			85042-0	FUSE BOX COVER	③								
			1-85042-1	FUSE BOX COVER	③								
			85042-9	FUSE BOX COVER	③								
			85042-8	FUSE BOX COVER	③								
			85042-7	FUSE BOX COVER	③								
			85042-6	FUSE BOX COVER	③								
			85042-5	FUSE BOX COVER	③								
			85042-4	FUSE BOX COVER	③								
			85042-3	FUSE BOX COVER	③								
			85042-2	FUSE BOX COVER	③								
			85042-1	FUSE BOX COVER	③								
1	1	PHENOL	85041-1	FUSE BOX INSERT	②								
1	1	PP-TD30	85040-1	FUSE BOX FRAME	①								
1-4	3-21	1-9	8-7	-6	-5	-4	-3	-2	-1	RAW MAT'L	PART NO.	DESCRIPTION	ITEM NO.

THIS DRAWING IS A CONTROLLED DOCUMENT.

DIMENSIONS:	TOLERANCES UNLESS OTHERWISE SPECIFIED:
mm	0 PLC ± -
	1 PLC ± -
	2 PLC ± -
	3 PLC ± -
	4 PLC ± -
	ANGLES ± -
MATERIAL	FINISH
-	-

DWN SY SONG
CHK CM PARK
APVD YJ YOUN
PRODUCT SPEC
APPLICATION SPEC

STE TE Connectivity

FUSE BOX ASS'Y - ENGINE

SIZE A3 CAGE CODE 00779 DRAWING NO C-85039 RESTRICTED TO -

WEIGHT -

CUSTOMER DRAWING SCALE 1:1 SHEET 1 OF 1 REV K5