

THIS DRAWING IS UNPUBLISHED.

RELEASED FOR PUBLICATION

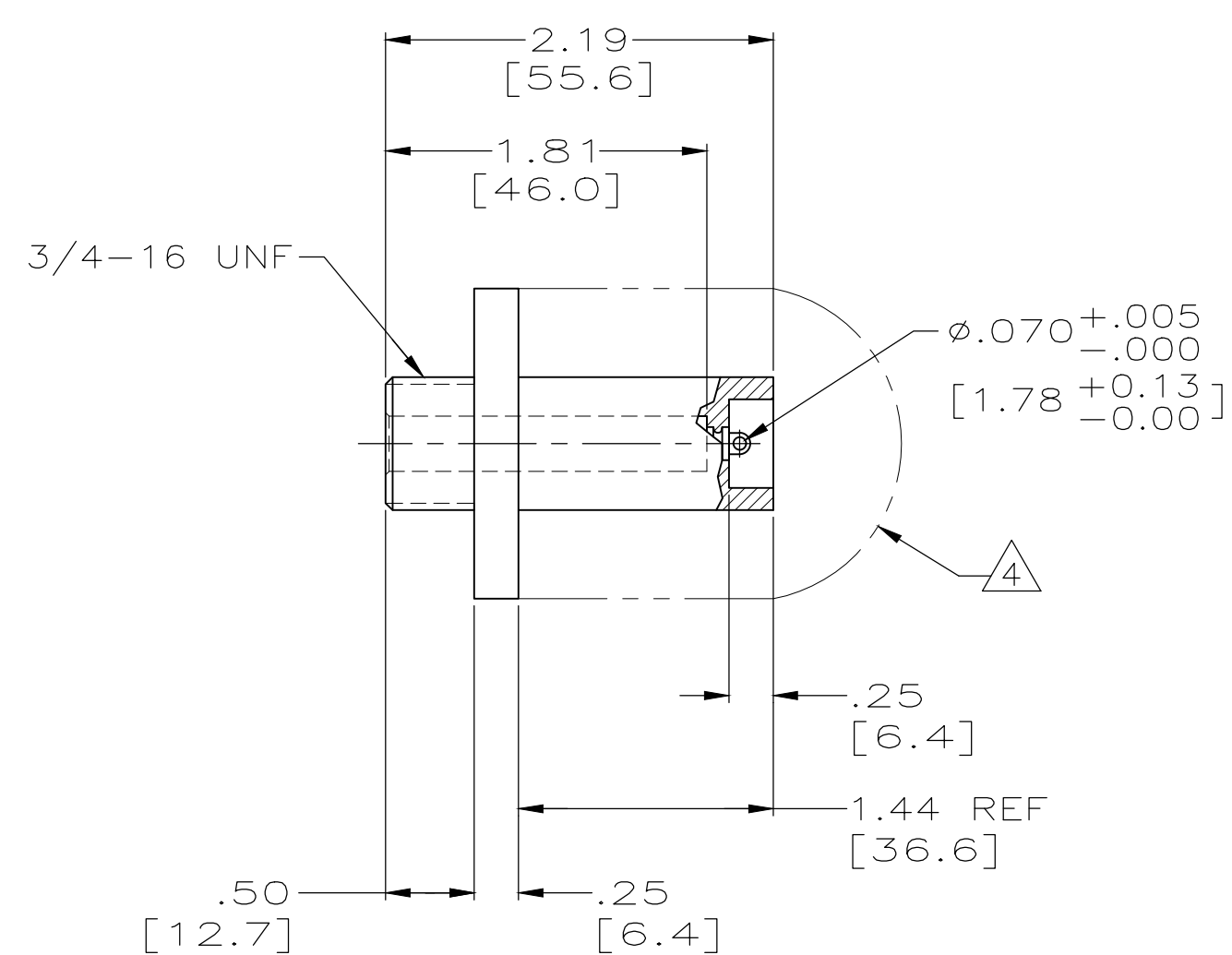
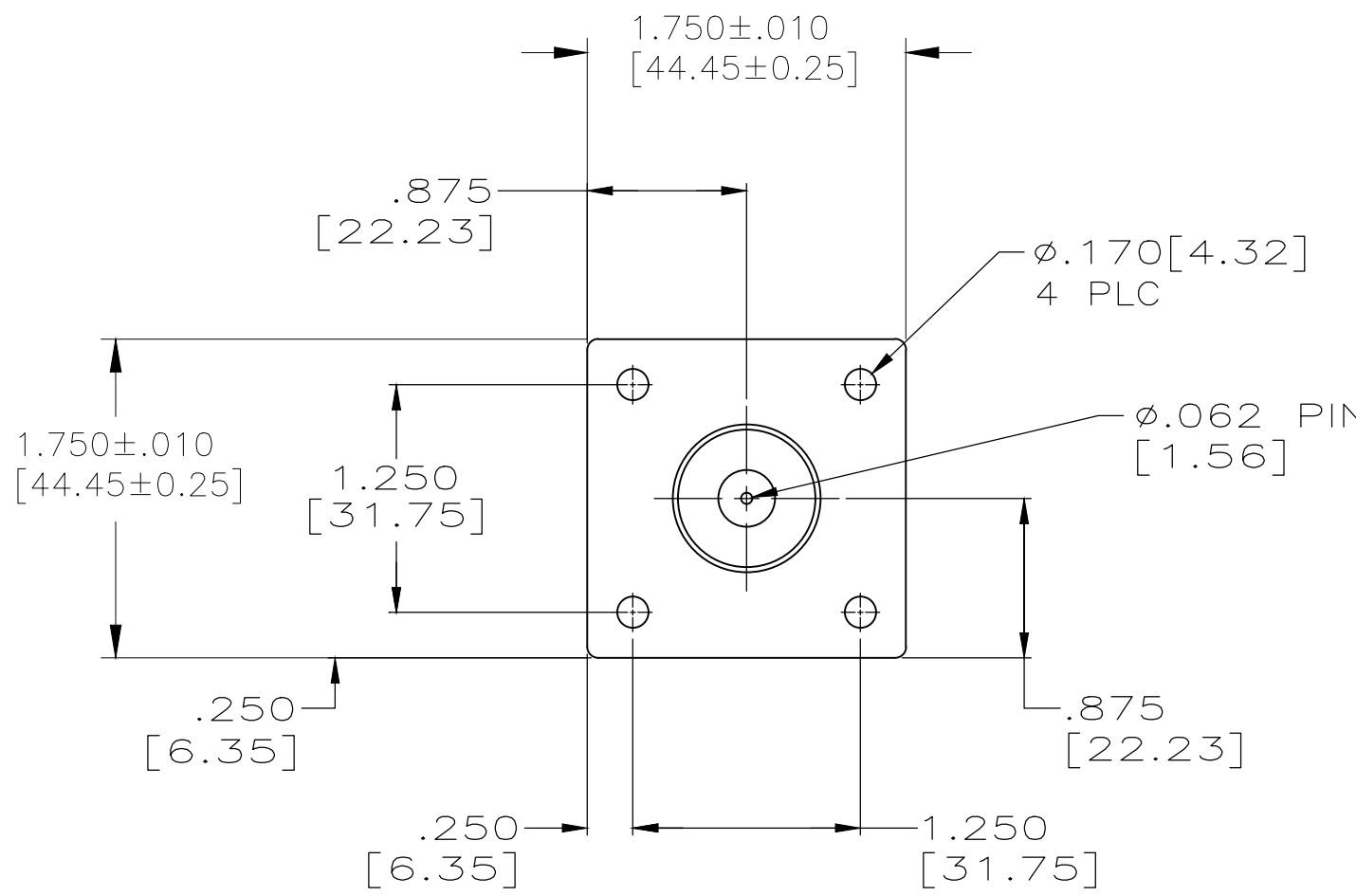
- .N/A .

REVISIONS

© COPYRIGHT N/A TE Connectivity

ALL RIGHTS RESERVED.

P	LTR	DESCRIPTION	DATE	DWN	APVD
	K	REV PER ECO 18-016162	12-19-18	CT	DM



- ① PLATED 93/7 TIN-LEAD .0001[0.0025] MIN THK OR TIN PER ASTM-B-545 .0001[0.0025] MIN THK.
- ② GOLD PLATED .000030[0.00076] MIN THK PER ASTM-B-488, TYPE II.
- 3. RECEPTACLE TO MATE WITH AMP LGH-3 LEAD ASSEMBLY.
- ④ CUSTOMER TO PROTECT BACK END AGAINST ARC OVER & BREAKDOWN.
- ⑤ PLATED TIN PER ASTM-B-545, TYPE I OR II, .0001[0.0025] MIN THK.

	⑤	5-850911-1
OBSOLETE	②	850911-2
	①	850911-1
	PIN PLATING	
	PART NUMBER	

THIS DRAWING IS A CONTROLLED DOCUMENT.		DWN C.C.THOMAS 20-OCT-98	STE TE Connectivity				
		CHK D. EABY 20-OCT-98					
		APVD D. EABY 20-OCT-98	NAME BULKHEAD RECEPTACLE ASSEMBLY LGH-3				
DIMENSIONS: INCHES		PRODUCT SPEC -	SIZE A3	CAGE CODE 00779	DRAWING NO C-850911	RESTRICTED TO -	
TOLERANCES UNLESS OTHERWISE SPECIFIED:		APPLICATION SPEC -	WEIGHT 0.000000		SCALE 1:1	SHEET 1 OF 1	REV K
MATERIAL MOLDED GLASS EPOXY COLOR: BLACK		FINISH -	CUSTOMER DRAWING				