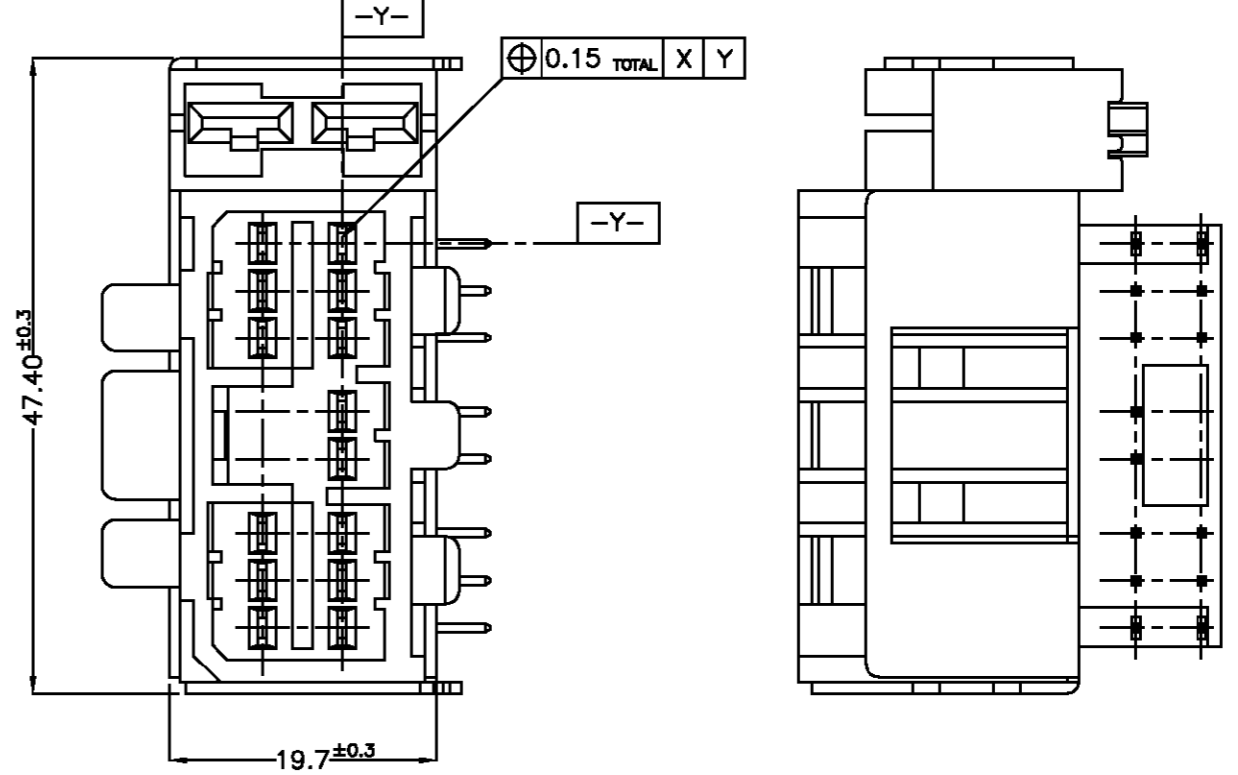
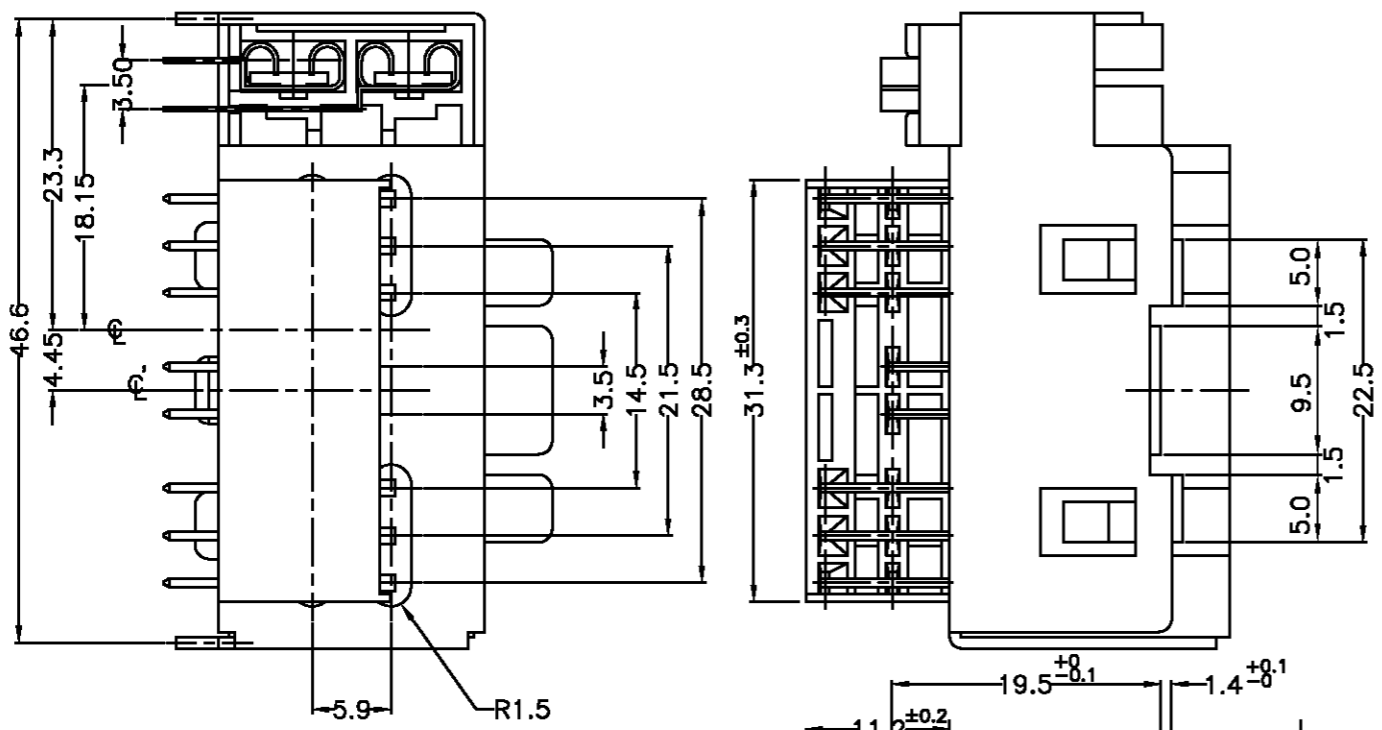
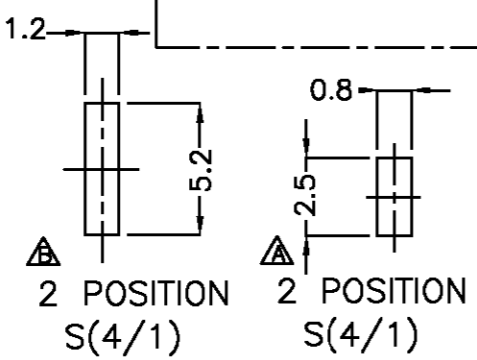
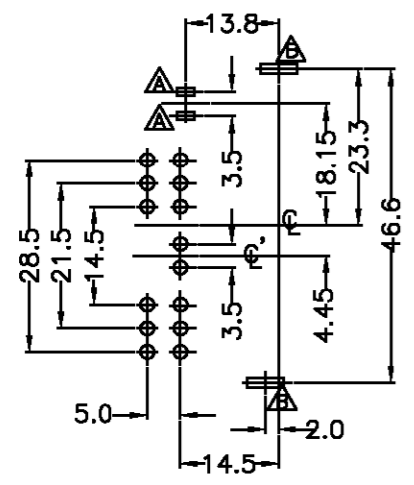


| LOC | DIST | REVISIONS | | | | | |
|-----|------|-----------|-----|----------------------------|-----------|-----|------|
| | | P | LTR | DESCRIPTION | DATE | DWN | APVD |
| DS | | | B | REVISED(CECN PER RD98-116) | 07/MAY/98 | HSK | CS |
| | | | C | REVISED(CECN PER RD98-142) | 21/MAY/98 | HSK | CS |
| | | | D | REVISED(KFC00-0036-04) | 04/MAR/04 | JG | CS |



P.C BOARD DIMENSION

NOTE:
 1. BOARD THK : 1.6 ±0.15
 2. TOLERANCE : ±0.1



NOTE:

- MATERIAL : PLASTIC : P.B.T
 BRACKET : STC(0.8T)
 TERMINAL : BRASS
- FINISH : TIN-PLATING
- CUSTOMER PART NUMBER : H810
- HOUSING COLOR :

| | | |
|---------------|----------|---|
| BLACK | 85139-2 | ⓐ |
| NATURAL | 85139-1 | ⓑ |
| HOUSING COLOR | PART NO. | |
- TAB ALIGNMENT : ±30'
- AVOID ANY GAP BETWEEN HSG AND METAL SHELL AFTER ASSEMBLY

| | | | | | | | | | | | |
|---|--|------------------|--|---|--|-------------------------------|--|------------|--|---------------|--|
| THIS DRAWING IS A CONTROLLED DOCUMENT FOR TYCO ELECTRONICS CORPORATION. IT IS SUBJECT TO CHANGE AND THE CONTROLLING ENGINEERING ORGANIZATION SHOULD BE CONTACTED FOR THE LATEST REVISION. | | DWN JG MOON | | tyco Electronics | | AMP KOREA, kyungsan, korea | | | | | |
| DIMENSIONS: mm | | CHK: BM JANG | | | | | | | | | |
| TOLERANCES UNLESS OTHERWISE SPECIFIED: 0 <XX<10 ± 0.2 10 <XX<30 ± 0.25 30 <XX ± 0.3 ANGLES ± 3° | | APVD: CS LEE | | NAME COMBI CONNECTOR "H" 14P ASS'Y | | | | | | | |
| | | PRODUCT SPEC | | | | | | | | | |
| 3rd ANGLE PROJECTION | | APPLICATION SPEC | | SIZE | | CAGE CODE | | DRAWING NO | | RESTRICTED TO | |
| MATERIAL | | FINISH | | WEIGHT | | A3 | | 00779 | | C= 85139 | |
| | | | | SCALE | | SHEET | | REV | | D | |