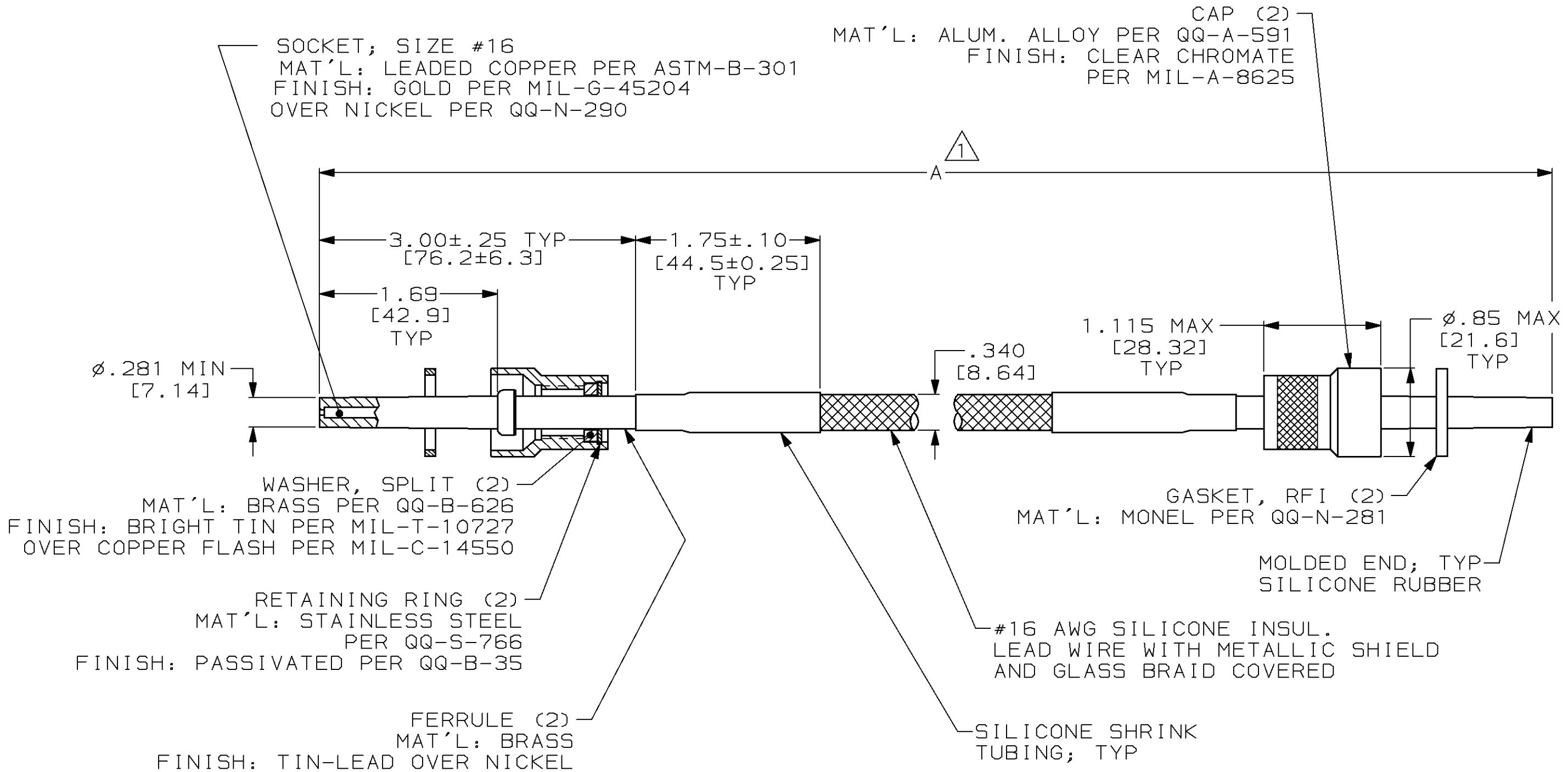


THIS DRAWING IS UNPUBLISHED. RELEASED FOR PUBLICATION
 © COPYRIGHT 19 BY AMP INCORPORATED. ALL INTERNATIONAL RIGHTS RESERVED.

| PROD CODE | LOC | DIST | P | F | ZONE | LTR | DESCRIPTION | DATE | APPD | |
|-----------|-----|------|---|---|------|-----|----------------------|------|------|----|
| 4092 | DF | SO | | | | T | REV PER 0600-7522-98 | CT | 5-98 | SS |

| PART NO. | A | |
|------------|--------|----------|
| 861814-1 | 12.00 | [304.8] |
| 861814-2 | 120.00 | [3048.0] |
| 861814-3 | 312.00 | [7924.8] |
| 861814-4 | 336.00 | [8534.4] |
| 861814-5 | 240.00 | [6096.0] |
| 861814-6 | 360.00 | [9144.0] |
| 861814-7 | 158.00 | [4013.2] |
| 861814-8 | 92.00 | [2336.8] |
| 861814-9 | 216.00 | [5486.4] |
| 1-861814-0 | 248.00 | [6299.2] |
| 1-861814-1 | 264.00 | [6705.6] |
| 1-861814-2 | 288.00 | [7315.2] |
| 1-861814-3 | 336.00 | [8534.4] |
| 1-861814-4 | 192.00 | [4876.8] |
| 1-861814-5 | 36.00 | [914.4] |
| 1-861814-6 | 48.00 | [1219.2] |
| 1-861814-7 | 43.00 | [1092.2] |
| 1-861814-8 | 126.00 | [3200.4] |
| 1-861814-9 | 18.00 | [457.2] |
| 2-861814-0 | 180.00 | [4572.0] |
| 2-861814-1 | 24.00 | [609.6] |
| 2-861814-2 | 30.00 | [762.0] |
| 2-861814-3 | 34.00 | [863.6] |
| 2-861814-4 | 72.00 | [1828.8] |
| 2-861814-5 | 9.00 | [228.6] |
| 2-861814-6 | 66.00 | [1676.4] |
| 2-861814-7 | 60.00 | [1524.0] |
| 2-861814-8 | 20.00 | [508.0] |



- 1. TOLERANCE OF LEAD LENGTH:
 UP TO 24 INCHES [609.6] = ±.12 [±3.0]
 24 INCHES [609.6] & UP = ±1%
- 2. MARKED PER MIL-STD-130.
- 3. TO MATE WITH AMP LGH-1L RECEPTACLE WITH 1.69 [42.9] BARREL DEPTH.
- 4. OPERATING VOLTAGE: 25 KVDC AT 0 TO 70,000 FEET, -55°C TO 125°C.

| | | |
|--|-----------------------------|--|
| DO NOT SCALE PRINT. UNLESS SPECIFIED DIMENSIONS IN INCHES [mm] TOLERANCES ON: 2 PLC DEC ± .02 [0.51] 3 PLC DEC ± .015 [0.38] ANGLES ± - | DR 8-3-90 C.C. THOMAS | AMP Incorporated Harrisburg, PA 17105-3608 |
| | CHK 8-14-90 D.EABY | |
| MATERIAL SEE CALLOUTS | APPD 8-14-90 D.EABY | NAME LEAD ASSEMBLY, DBL. END, LGH-1L, RFI SEILED WITH REMOVEABLE CAPS |
| | RLSE 8-14-90 C.C. THOMAS | SIZE C 00779 |
| FINISH SEE CALLOUTS | PRODUCT SPEC - | DRAWING NO 861814 |
| | APPLICATION SPEC - | SCALE 1:1 |
| WEIGHT - | | SHEET 1 OF 1 |