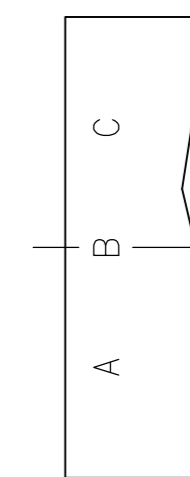
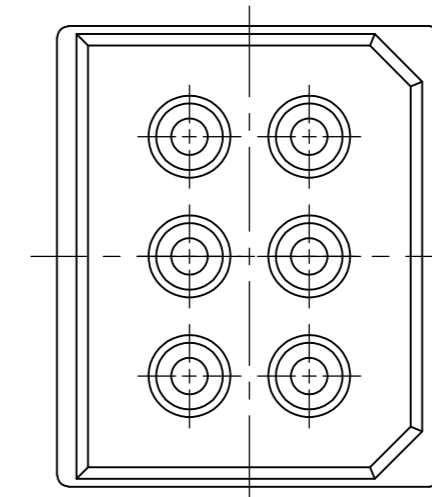
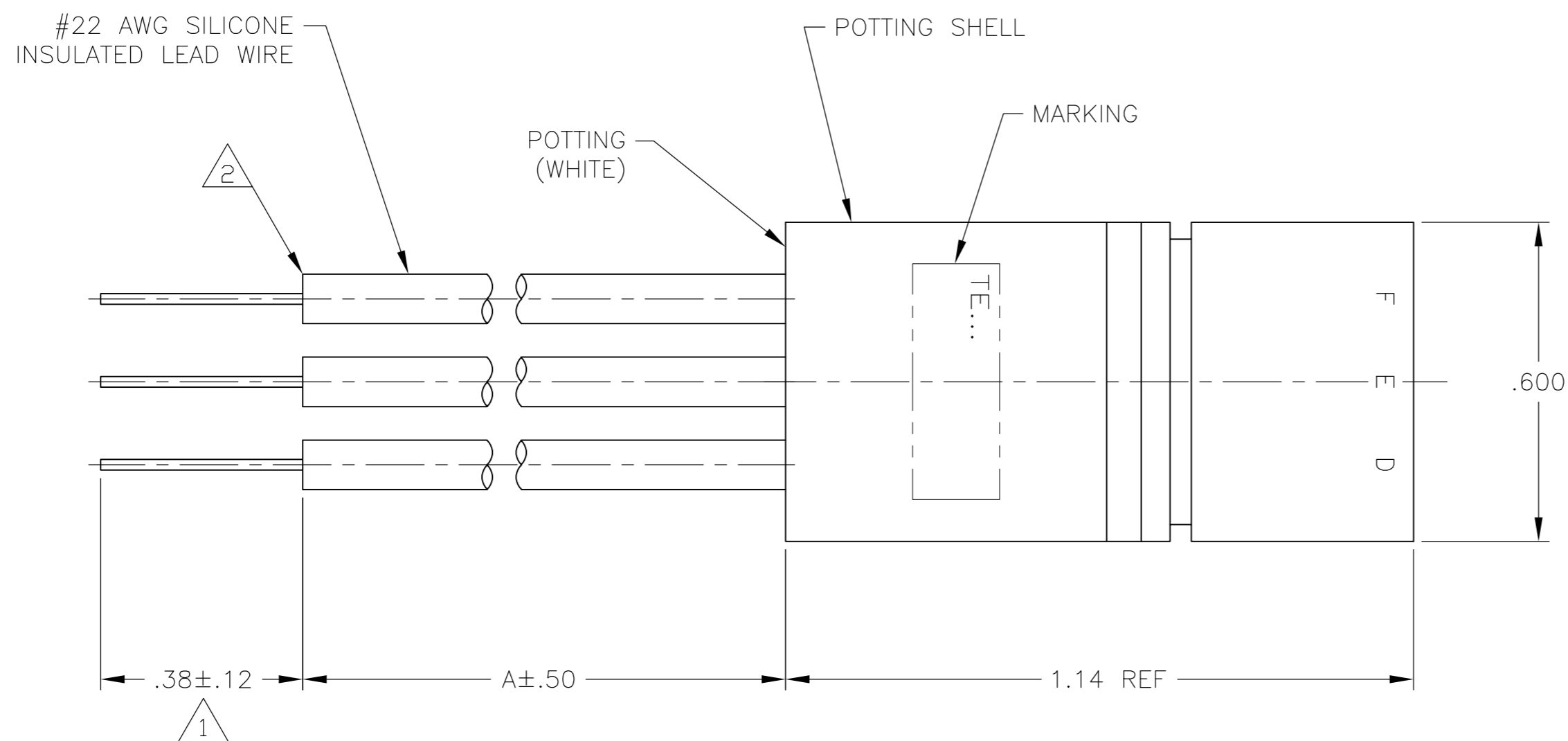


THIS DRAWING IS UNPUBLISHED. RELEASED FOR PUBLICATION - N/A .
 © COPYRIGHT N/A TE Connectivity ALL RIGHTS RESERVED.

REVISIONS				
P	LTR	DESCRIPTION	DATE	APVD
B		REV PER ECO 17-012863	9-7-17	CT DM

- ① PIGTAILS ARE SOLDER DIPPED.
- ② INSULATION CUT, BUT NOT REMOVED.



A	BROWN
B	RED
C	GREEN
D	BLUE
E	BLACK
F	WHITE

SCHEMATIC

②	12.00	5-867471-1
①	36.00	867471-3
①	24.00	867471-2
①	12.00	867471-1
REMARKS	"A" DIM	PART NO.

THIS DRAWING IS A CONTROLLED DOCUMENT.		DWN R.HEPNER 11-MAY-82	TE TE Connectivity	
DIMENSIONS: INCHES		CHK B.WALTERS 13-MAY-82		
TOLERANCES UNLESS OTHERWISE SPECIFIED:		APVD B.WALTERS 13-MAY-82	NAME	
0 PLC ± -		PRODUCT SPEC	RECEPTACLE ASSY	
1 PLC ± -		APPLICATION SPEC	6 POSN WITH FLYING LEADS	
2 PLC ± .03			SUBMINIATURE, LGH	
3 PLC ± .015			SIZE A2	CAGE CODE 00779
4 PLC ± -			DRAWING NO C=867471	RESTRICTED TO -
ANGLES ± -		WEIGHT 0.000000	SCALE 4:1	SHEET 1 of 1
FINISH -		CUSTOMER DRAWING	REV B	