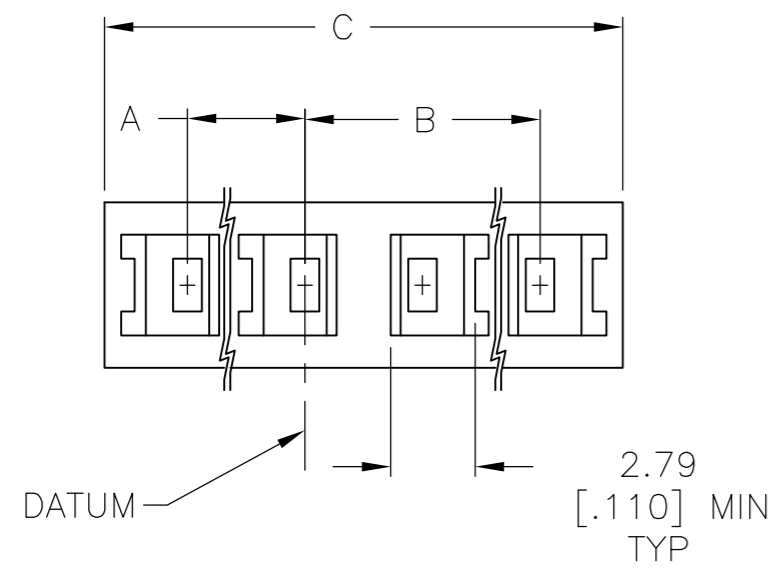
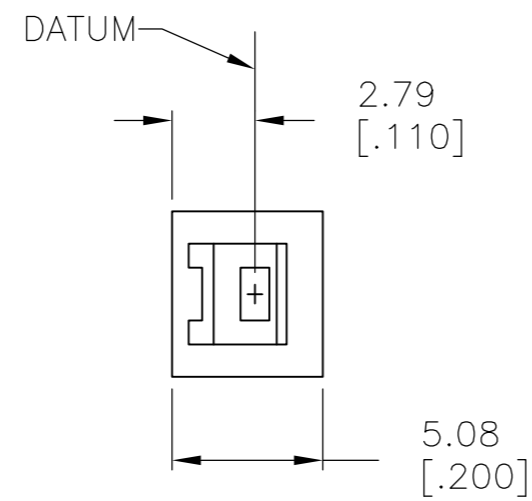


THIS DRAWING IS UNPUBLISHED. RELEASED FOR PUBLICATION  
 © COPYRIGHT - By - ALL RIGHTS RESERVED.

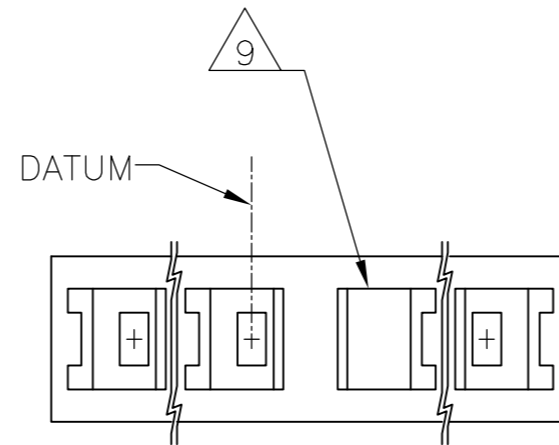
| REVISIONS |     |                           |           |     |      |
|-----------|-----|---------------------------|-----------|-----|------|
| P         | LTR | DESCRIPTION               | DATE      | DWN | APVD |
| J4        |     | REVISED PER ECO-16-009321 | 23JUN2016 | NK  | JO   |



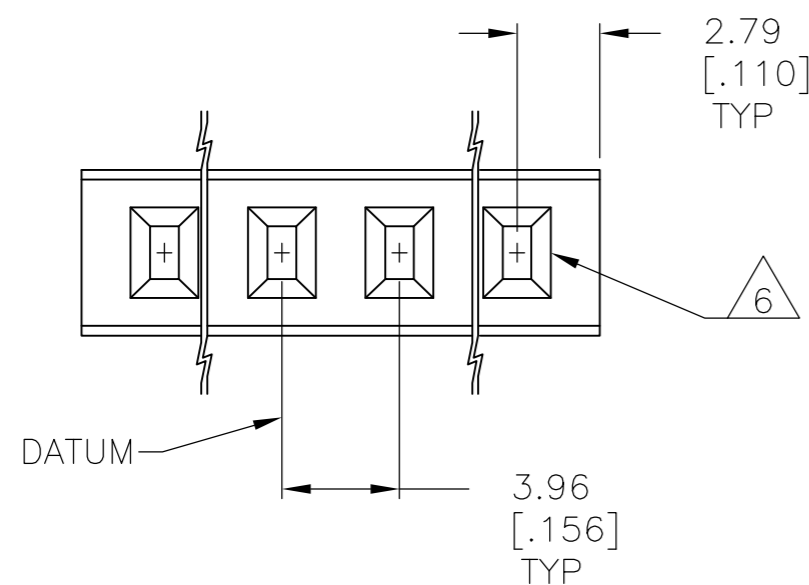
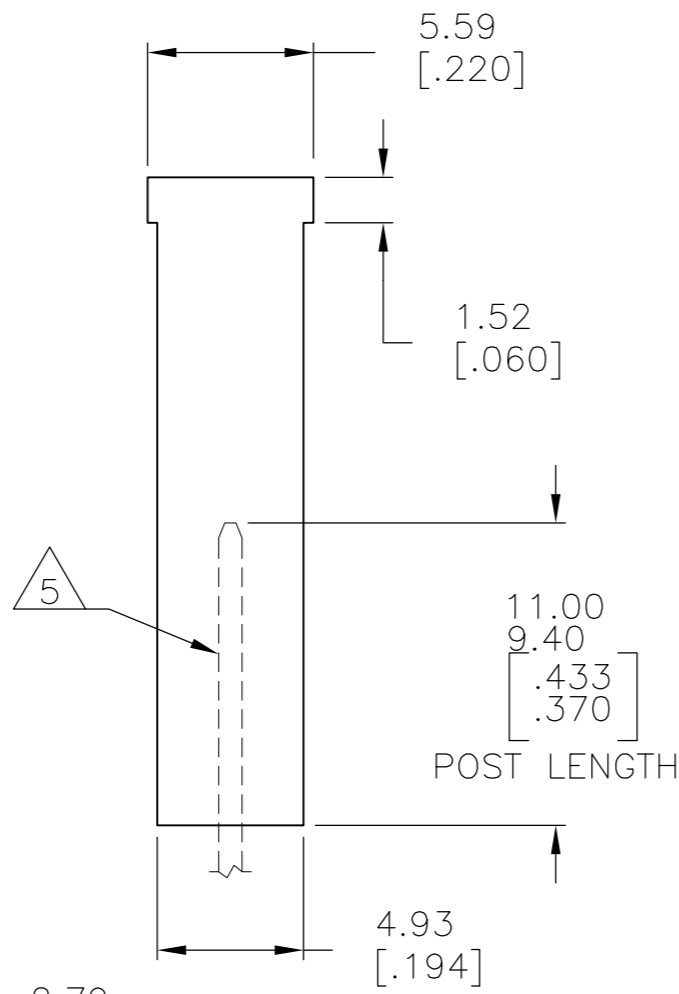
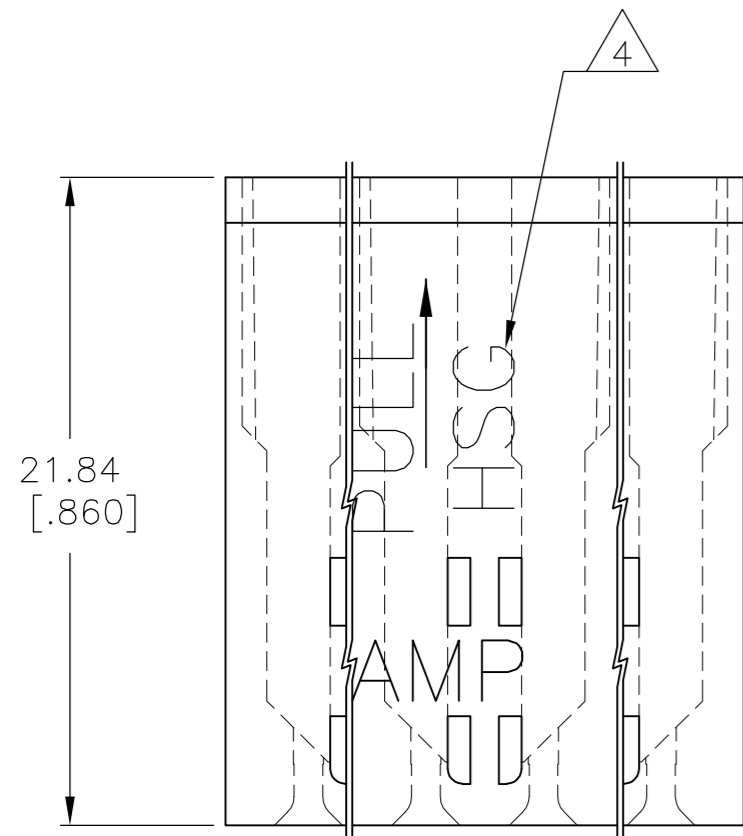
TOP VIEW



DETAIL X



DETAIL Y



- PULL ON HOUSING TO REMOVE FROM POSTS. DO NOT CONFINE THE CONDUCTORS OR PULL ON THE CONDUCTORS DURING REMOVAL ACTION.
  - IN ORDER FOR THIS HOUSING TO FUNCTION PROPERLY AS A CONNECTOR, THE CONTACTS (P/N 87278 SERIES) MUST BE CRIMPED ACCORDING TO AMP SPEC 114-25008.
- 4 MOLDED CHARACTERS THIS END.
  - 5 .79[.031] X 1.57[.062] POST SHOWN FOR REFERENCE ONLY.
  - 6 CAVITY ACCEPTS 0.79[.031] X 1.57[.062] POST (TYPICAL).
  - 7 BOLD CAVITY INDICATES TYPICAL DATUM.
  - 8 THIS VIEW TO BE REFERENCED WITH CAVITY ORIENTATION CHART.
  - 9 NO POST ENTREE HOLE IN THIS LOCATION.
  - 10 SEE DETAIL X.
  - 11 SEE DETAIL Y.

|                |               |               |              |        |           |
|----------------|---------------|---------------|--------------|--------|-----------|
| □□□□□□□□□□□□□□ | 53.14 [2.092] | 23.77 [.936]  | 23.77 [.936] | 13     | 1-87270-8 |
| □□□□□□□□□□□□□□ | 45.21 [1.780] | 19.81 [.780]  | 19.81 [.780] | 11     | 1-87270-7 |
| □□□□□□□□□□□□□□ | 37.29 [1.468] | 15.85 [.624]  | 15.85 [.624] | 9      | 1-87270-6 |
| □□□□□□□□□□□□□□ | 29.36 [1.156] | 11.89 [.468]  | 11.89 [.468] | 7      | 1-87270-5 |
| □□□□□□□□□□□□□□ | 21.44 [.844]  | 7.92 [.312]   | 7.92 [.312]  | 5      | 1-87270-4 |
| □□□□□□□□□□□□□□ | 13.51 [.532]  | 3.96 [.156]   | 3.96 [.156]  | 3      | 1-87270-3 |
| □□□□□□□□□□□□□□ | 25.40 [1.000] | 11.89 [.468]  | 7.92 [.312]  | 5 OF 6 | 1-87270-2 |
| □□□□□□□□□□□□□□ | 29.36 [1.156] | 11.89 [.468]  | 11.89 [.468] | 6 OF 7 | 1-87270-1 |
| □□□□□□□□□□□□□□ | 21.44 [.844]  | 7.92 [.312]   | 7.92 [.312]  | 4 OF 5 | 1-87270-0 |
| □□□□□□□□□□□□□□ | 57.10 [2.248] | 27.74 [1.092] | 23.77 [.963] | 14     | 87270-9   |
| □□□□□□□□□□□□□□ | 49.17 [1.936] | 23.77 [.936]  | 19.81 [.780] | 12     | 87270-8   |
| □□□□□□□□□□□□□□ | 41.25 [1.624] | 19.81 [.780]  | 15.85 [.624] | 10     | 87270-7   |
| □□□□□□□□□□□□□□ | 33.32 [1.312] | 15.85 [.624]  | 11.89 [.468] | 8      | 87270-6   |
| □□□□□□□□□□□□□□ | 25.40 [1.000] | 11.89 [.468]  | 7.92 [.312]  | 6      | 87270-5   |
| □□□□□□□□□□□□□□ | 17.48 [.688]  | 7.92 [.312]   | 3.96 [.156]  | 4      | 87270-4   |
| □□□□□□□□□□□□□□ | 17.48 [.688]  | 7.92 [.312]   | 3.96 [.156]  | 3 OF 4 | 87270-3   |
| □□□□□□□□□□□□□□ | 9.55 [.376]   | -             | -            | 2      | 87270-2   |
| □□□□□□□□□□□□□□ | 5.08 [.200]   | -             | -            | 1      | 87270-1   |

CAVITY ORIENTATION CHART

THIS DRAWING IS A CONTROLLED DOCUMENT.

DIMENSIONS: mm [INCHES]

TOLERANCES UNLESS OTHERWISE SPECIFIED:

|        |               |
|--------|---------------|
| 0 PLC  | ± -           |
| 1 PLC  | ± -           |
| 2 PLC  | ± -           |
| 3 PLC  | ± 0.13 [.005] |
| 4 PLC  | ± -           |
| ANGLES | ± -           |

MATERIAL: GLASS FILLED POLYESTER  
COLOR: BLACK

FINISH: -

WEIGHT: -

CUSTOMER DRAWING

DWN: E.BRANDBERG 25FEB93  
CHK: SCOTT A. SHUEY 25FEB93  
APVD: SCOTT A. SHUEY 25FEB93

NAME: SCOTT A. SHUEY

PRODUCT SPEC: -

APPLICATION SPEC: -

WEIGHT: -

SCALE: 4:1

TE Connectivity

HOUSING, LOCKING CLIP,  
SINGLE ROW, .156 CENTERS  
FOR .031 X .062 POST

SIZE: A2  
CAGE CODE: 00779  
DRAWING NO: 87270  
RESTRICTED TO: -

SHEET: 1 OF 1  
REV: J4