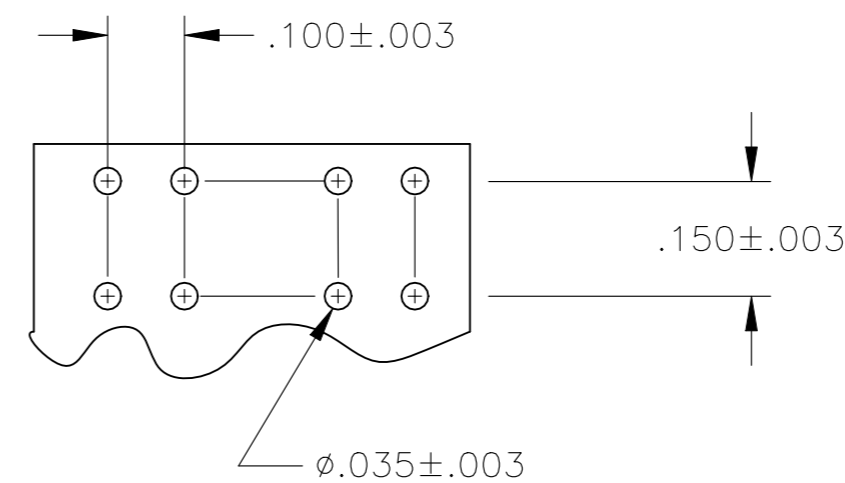
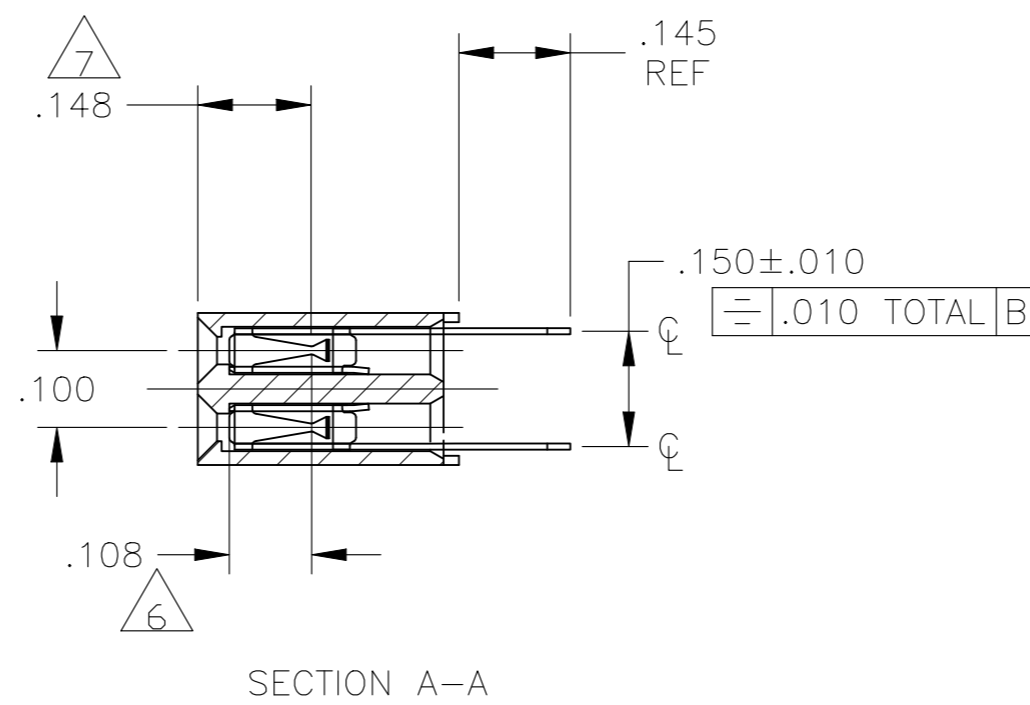
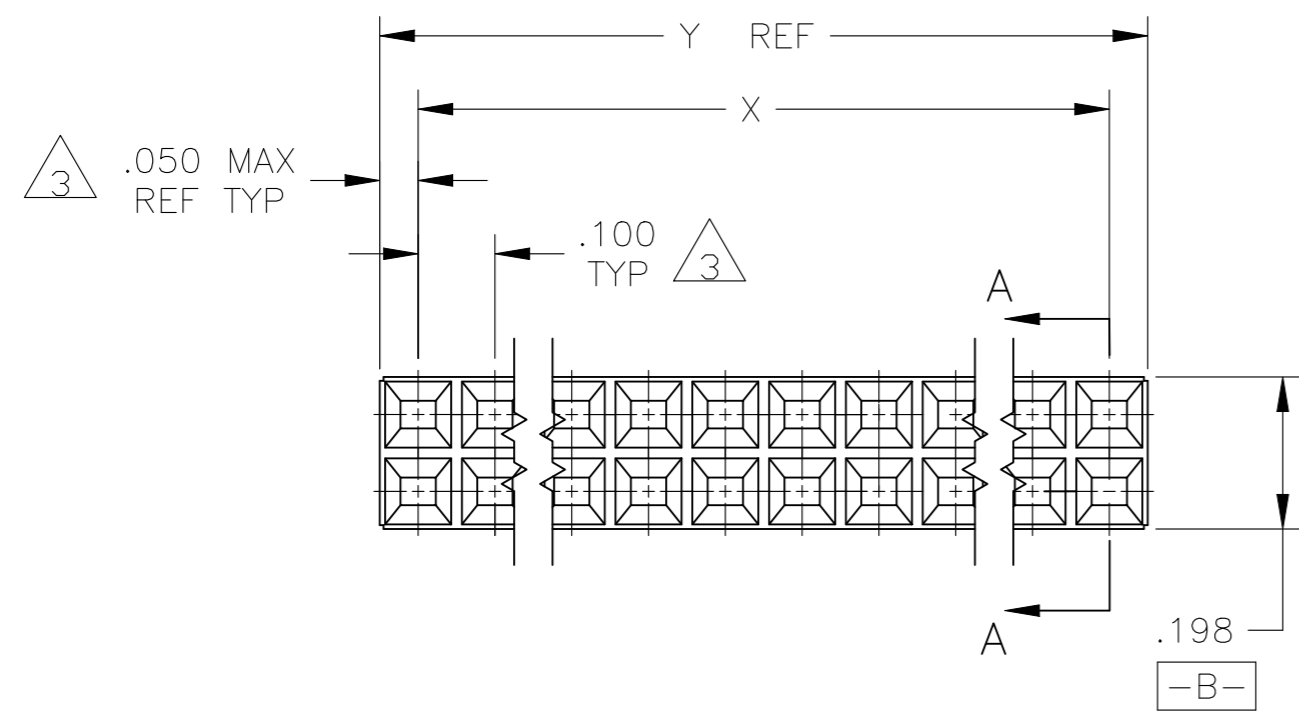
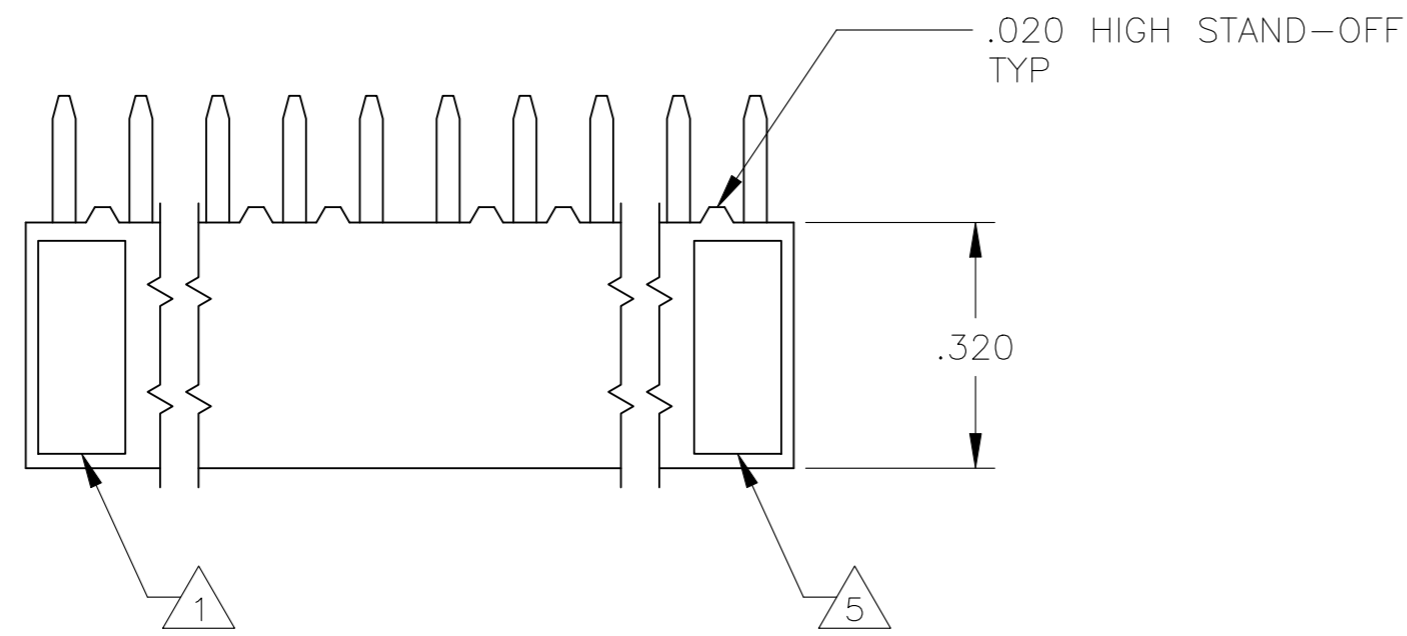


REVISIONS					
P	LTR	DESCRIPTION	DATE	DWN	APVD
M		HOUSING RESIN CHANGED	25OCT2021	SCB	KJK



- 1 PART NUMBER AND DATE CODE MARKED IN APPROXIMATE LOCATION SHOWN.
- 2 CONTACT : DUPLEX PLATED : .000030 GOLD ON CONTACT AREA, .000150-.000300 BRIGHT TIN-LEAD ON SOLDER LEADS, ALL OVER .000050 MINIMUM NICKEL.
- 3 THESE DIMENSIONS PERTAIN TO ACTIVITY CENTERLINES NOT CONTACT LOCATIONS.
- 4 NO PART NUMBER MARKING REQUIREMENT FOR THIS PART.
- 5 TYCO LOGO AND CSA LOGO ARE MOLDED INTO HOUSING, THIS LOCATION.
- 6 POINT OF MEASUREMENT FOR PLATING THICKNESS (MEASURED INSIDE CONTACT BEAMS)
- 7 POINT OF CONTACT MEASUREMENT
- 8 MATERIAL: HOUSING: GLASS FILLED POLYSTER-COLOR:BLACK
CONTACT: PHOSPHOR BRONZE
- 9 CONTACT: DUPLEX PLATED: .000030 GOLD ON CONTACT AREA, .000150-.000300 MATTE TIN ON SOLDER LEADS, ALL OVER .000050 MINIMUM NICKEL.
- 10 ROHS 2002 /95/EC COMPLIANT.

9				10	6-87518-2
9	1.700	1.600	34	10	6-87518-1
9	.500	.400	10	10	6-87518-0
9	.400	.300	8	10	5-87518-9
9	2.000	1.900	40	10	5-87518-8
	-	-	-	10	5-87518-7
9	1.300	1.200	26	10	5-87518-6
9	.700	.600	14	10	5-87518-5
9	1.000	.900	20	10	5-87518-4
9	.800	.700	16	10	5-87518-3
9	1.900	1.800	38	10	5-87518-2
9	1.400	1.300	28	10	5-87518-1
2					1-87518-2
2	1.700	1.600	34		1-87518-1
2	.500	.400	10	4	1-87518-0
2	.400	.300	8	4	87518-9
2	2.000	1.900	40		87518-8
	-	-	-		87518-7
2	1.300	1.200	26		87518-6
2	.700	.600	14		87518-5
2	1.000	.900	20		87518-4
2	.800	.700	16		87518-3
2	1.900	1.800	38		87518-2
2	1.400	1.300	28		87518-1
FINISH	Y	X	NO. OF POSN	ASSEMBLY PART NUMBER	

THIS DRAWING IS A CONTROLLED DOCUMENT.		DWN	17JAN2005		
DIMENSIONS: INCHES		CHK	-		
TOLERANCES UNLESS OTHERWISE SPECIFIED:		APVD	-	NAME	
0 PLC ± -		PRODUCT SPEC	-	CONNECTOR MOD II, .100 C/L	
1 PLC ± -		APPLICATION SPEC	-	DOUBLE ROW, VERTICAL MOUNTED	
2 PLC ± -		WEIGHT	-	SIZE	A2
3 PLC ± -		FINISH	9 2	CAGE CODE	00779
4 PLC ± -		SCALE	4:1	DRAWING NO	C=87518
ANGLES ± -		SHEET	1 OF 1	RESTRICTED TO	-
MATERIAL		CUSTOMER DRAWING	REV	M	