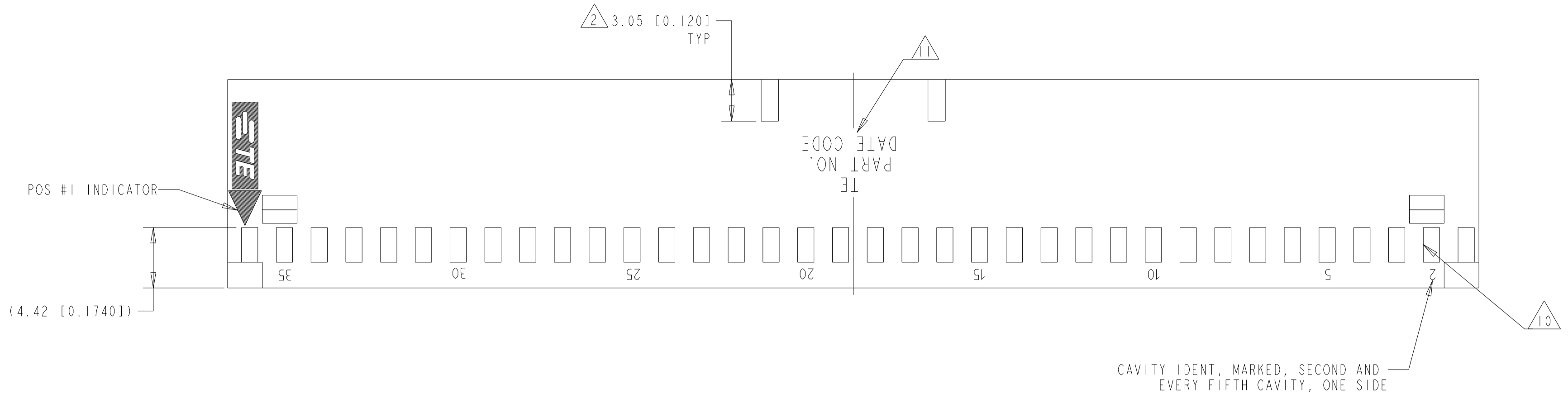
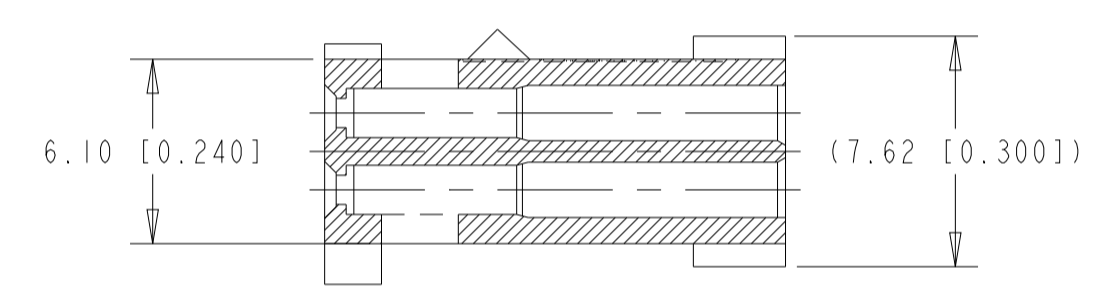
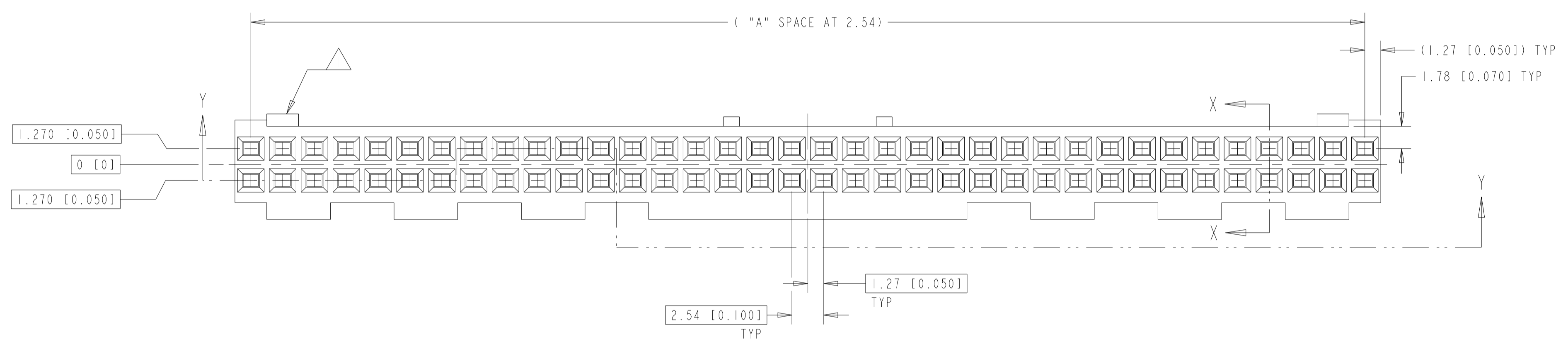


REVISIONS					
P	LTN	DESCRIPTION	DATE	DWN	APVD
Z		LOW TO HIGH TEMP MATERIAL AND MANUF. LOCATION CHANGE	15JUN2022	RK	SD
AA		ADDED MAX. FLASH PERMITTED ON WINDOWS.	15FEB2024	RK	MF
AB		MATERIAL CHANGE AND STEP REMOVED	10OCT2024	RS	PS

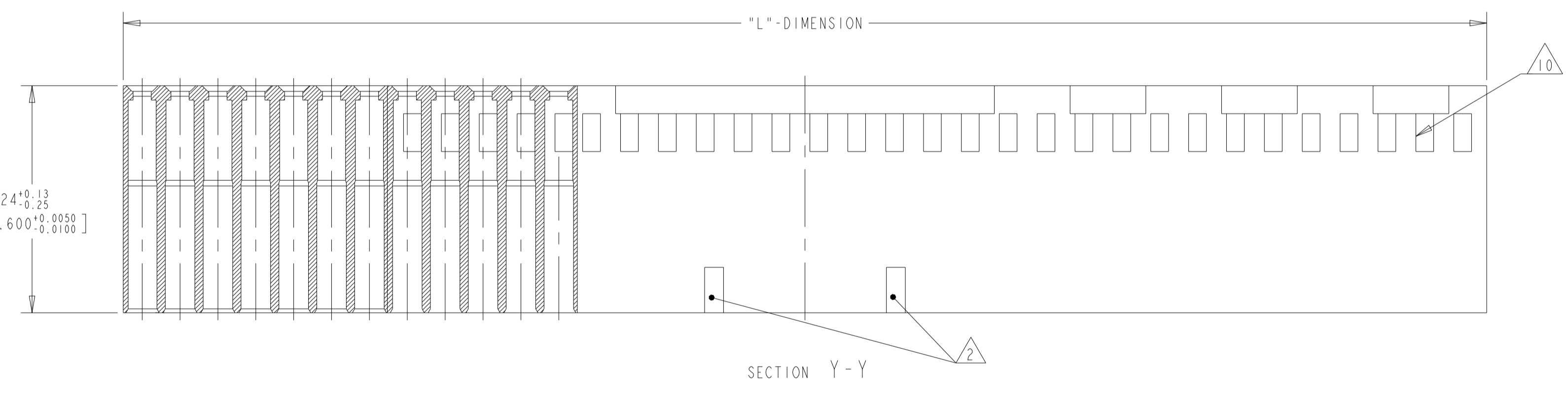


- NOTE:
- 1 SEE TABLE FOR NUMBER OF DETENTS. DETENT ON THIS SIDE FOR HOUSINGS WITH ONE DETENT.
  - 2 STRAIN RELIEF LOCATORS WILL APPEAR ON 20 POSITION AND LARGER HOUSINGS
  - 3 USE EXTRACTION TOOL 91052-1 TO REMOVE RECEPTACLE CONTACTS
  - 4 THESE HOUSINGS ARE COMPATIBLE WITH ANY MOD II SHROUDED HEADER
  - 5 HOUSINGS WILL ACCOMODATE ALL MOD IV, IV.5, AND MOD V CONTACTS.
  - 6 OBSOLETE PARTS: OBSOLETE CIS STREAMLINING PER D.RENAUD/D.SINISI
  - 7 MATERIAL:LCP, UL 94-V0 RATED, COLOR: BLACK.
  - 10 CRITICAL DIMENSION: MAX. FLASH PERMITTED OF 0.127 [0.005] mm EITHER SIDE.
  - 11 "TE" TRADEMARK, PART NO., AND DATE CODE IS MARKED IN AREA AS SHOWN WHEN HOUSING SIZE PERMITS (SEE TABLE).

LONGEST POSITION SHOWN



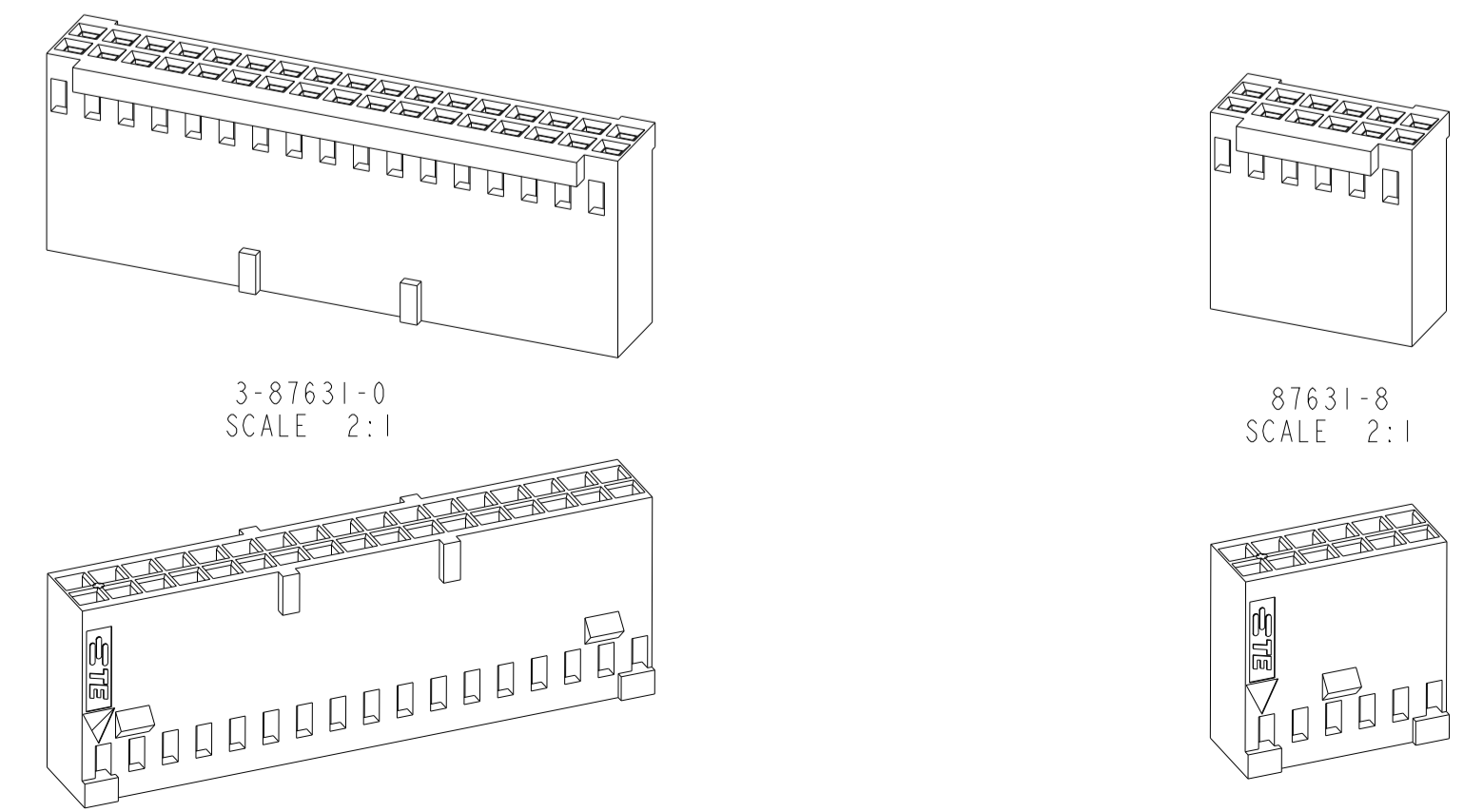
SECTION X-X



SECTION Y-Y

MARKING	UNMARKED HOUSING PART NUMBER	NUMBER OF DETENTS	"L" DIM	"A" NUMBER OF SPACES	NUMBER OF POSITIONS	MARKED HOUSING PART NUMBER	
ALL	6-87631-5	2	81.28 [3.2]	31	64	6-87631-6	
ALL	6-87631-3	2	73.66 [2.9]	28	58	6-87631-4	
ALL	6-87631-1	2	71.12 [2.8]	27	56	6-87631-2	
ALL	5-87631-9	2	60.96 [2.4]	23	48	6-87631-0	
ALL	5-87631-7	2	91.44 [3.6]	35	72	5-87631-8	
ALL	5-87631-5	2	88.9 [3.5]	34	70	5-87631-6	
ALL	5-87631-3	2	83.82 [3.3]	32	66	5-87631-4	
ALL	5-87631-1	2	76.2 [3.0]	29	60	5-87631-2	
6	ALL	4-87631-9	2	-	-	5-87631-0	
	ALL	4-87631-7	2	-	-	4-87631-8	
	ALL	4-87631-5	2	68.58 [2.7]	26	54	4-87631-6
	ALL	4-87631-3	2	66.04 [2.6]	25	52	4-87631-4
	ALL	4-87631-1	2	63.5 [2.5]	24	50	4-87631-2
	ALL	3-87631-9	2	55.88 [2.2]	21	44	4-87631-0
	ALL	3-87631-7	2	53.34 [2.1]	20	42	3-87631-8
	ALL	3-87631-5	2	50.8 [2.0]	19	40	3-87631-6
	ALL	3-87631-3	2	48.26 [1.9]	18	38	3-87631-4
	ALL	3-87631-1	2	45.72 [1.8]	17	36	3-87631-2
	ALL	2-87631-9	2	43.18 [1.7]	16	34	3-87631-0
	ALL	2-87631-7	2	40.64 [1.6]	15	32	2-87631-8
	ALL	2-87631-5	2	38.1 [1.5]	14	30	2-87631-6
	ALL	2-87631-3	2	35.56 [1.4]	13	28	2-87631-4
	ALL	2-87631-1	2	33.02 [1.3]	12	26	2-87631-2
	ALL	1-87631-9	2	30.48 [1.2]	11	24	2-87631-0
	ALL	1-87631-7	2	27.94 [1.1]	10	22	1-87631-8
	ALL	1-87631-5	2	25.4 [1.0]	9	20	1-87631-6
	ALL	1-87631-3	1	22.86 [0.9]	8	18	1-87631-4
	ALL	1-87631-1	1	20.32 [0.8]	7	16	1-87631-2
	ALL	87631-9	1	17.78 [0.7]	6	14	1-87631-0
	ALL	87631-7	1	15.24 [0.6]	5	12	87631-8
NO PART #	87631-5	1	12.7 [0.5]	4	10	87631-6	
NO PART #	87631-3	1	10.16 [0.4]	3	8	87631-4	
	87631-1	1	7.62 [0.3]	2	6	87631-2	

ISOMETRIC VIEW



THIS DRAWING IS A CONTROLLED DOCUMENT. DWN: E. BRANDENBERG, CHK: S. SHUEY, APVD: D. DUPLER, DATE: 09FEB94, CAGE CODE: 08NOV94.

DIMENSIONS: mm [INCHES]

TOLERANCES UNLESS OTHERWISE SPECIFIED:

0 PLC	±
1 PLC	±0.51(0.019)
2 PLC	±0.13(0.005)
3 PLC	±
4 PLC	±
ANGLES	±0° 30'

MATERIAL: 7

TE Connectivity

MOD IV CRIMP SNAP-IN CONNECTOR, DOUBLE ROW, 2.54 [0.10] CENTERS SHORT ENTRY

SIZE: A | CAGE CODE: 00779 | DRAWING NO: 87631 | SHEET 1 OF 1 | REV AB