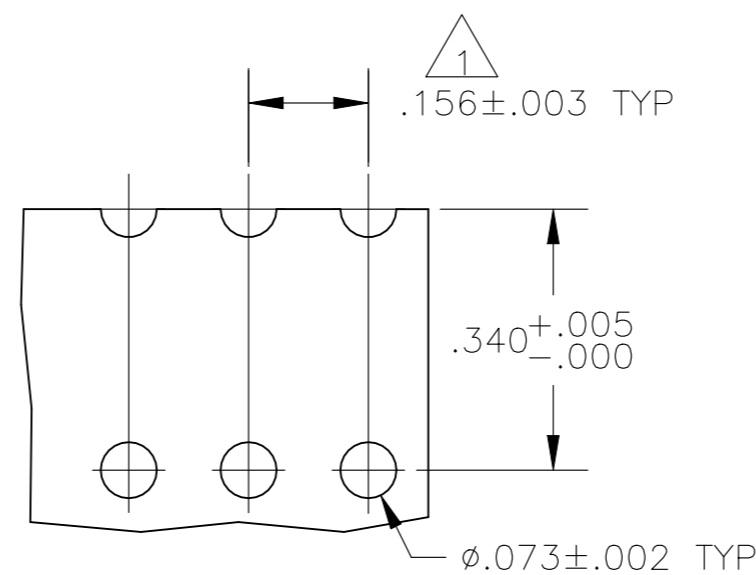
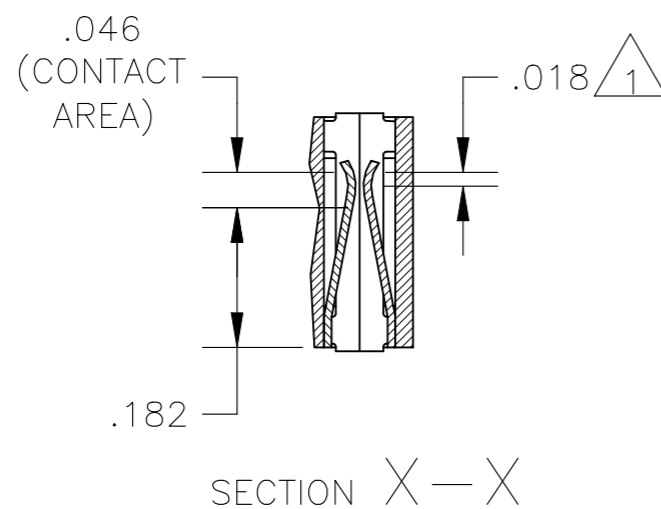
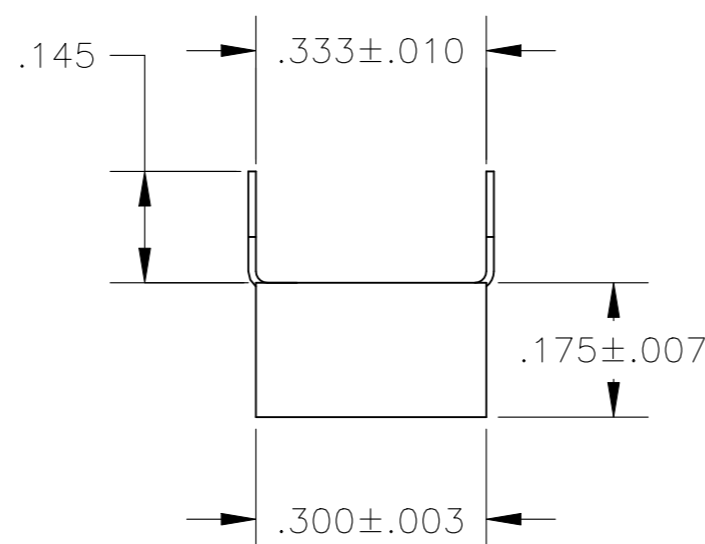
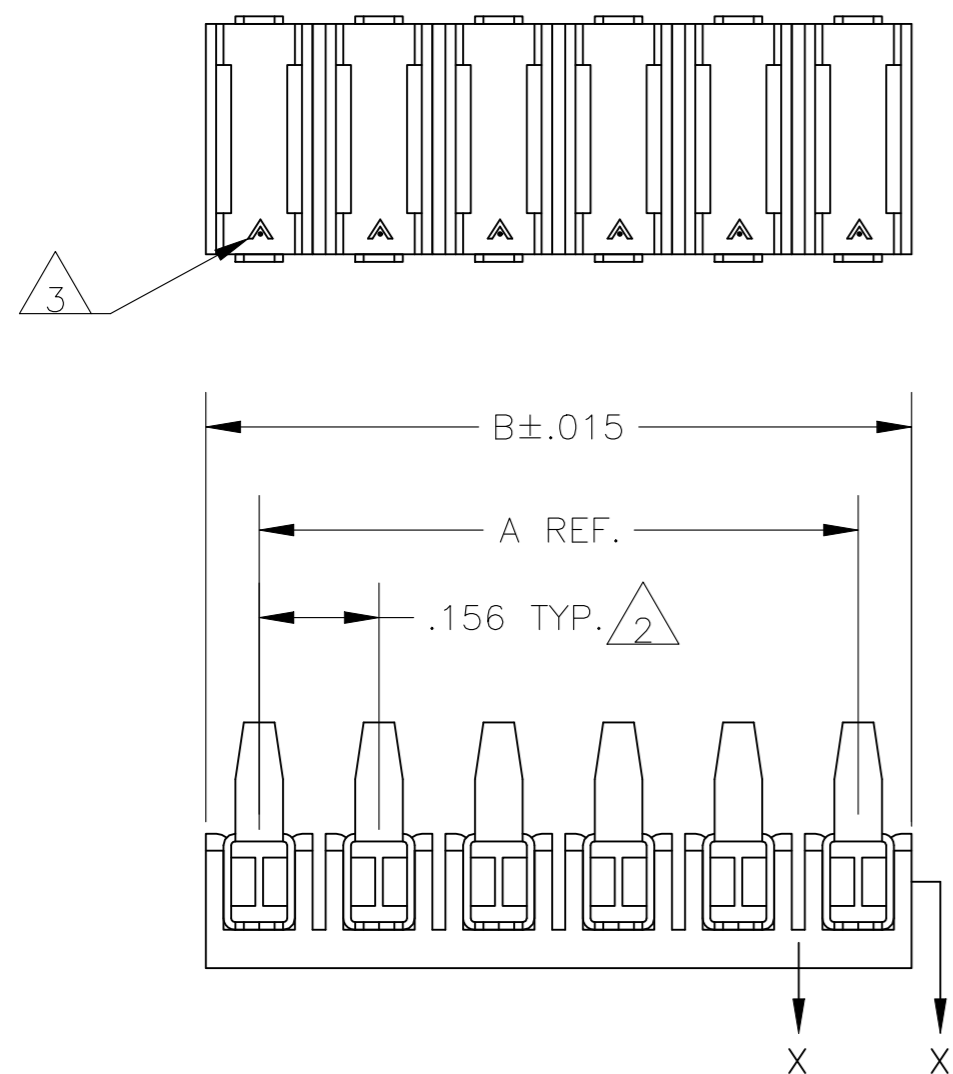


REVISIONS					
P	LTR	DESCRIPTION	DATE	DWN	APVD
L		RESIN SUPPLIER CHANGE FOR THE HOUSING	10MAY2022	SCB	PS



RECOMMENDED BOARD MOUNTING
(RECOMMENDED BOARD THICKNESS: .055-.103)

- 1 POINT OF MEASUREMENT FOR PLATING THICKNESS (INSIDE OF BEAMS).
- 2 TOLERANCE NON-CUMULATIVE.
- 3 THE MATING END OF THE CONTACT IS IDENTIFIED BY THE LETTER "A" STAMPED ON THE RECEPTACLE BOX.
- 4 OBSOLETE PARTS: OBSOLETE CIS STREAMLINING PER D.RENAUD/D.SINISI



	B	A	NO OF POSN	ASSEMBLY PART NUMBER
4 OBSOLETE	3.120	2.964	20	-2-87988-0
	2.964	2.808	19	1-87988-9
4 OBSOLETE	2.808	2.652	18	-1-87988-8
	2.652	2.496	17	1-87988-7
OBSOLETE 4	2.496	2.340	16	-1-87988-6
	2.340	2.184	15	-1-87988-5
	2.184	2.028	14	-1-87988-4
	2.028	1.872	13	-1-87988-3
	1.872	1.716	12	-1-87988-2
	1.716	1.560	11	-1-87988-1
	1.560	1.404	10	1-87988-0
OBSOLETE 4	1.404	1.248	9	-87988-9
	1.248	1.092	8	-87988-8
	1.092	.936	7	87988-7
	.936	.780	6	87988-6
	.780	.624	5	87988-5
	.624	.468	4	87988-4
	.468	.312	3	87988-3
4 OBSOLETE	.312	.156	2	-87988-2

THIS DRAWING IS A CONTROLLED DOCUMENT.		DWN L A MAYER 17MAR86		
DIMENSIONS: INCHES		CHK P deJONG 17MAR86		
TOLERANCES UNLESS OTHERWISE SPECIFIED:		APVD P deJONG 17MAR86	NAME	
0 PLC ± -		PRODUCT SPEC	ASSY, MOD I, BOARD MOUNT RECP, .156 CL, STD PRESSURE, TYPE C, FOR ROUND HOLE MOUNTING	
1 PLC ± -		108-25,016	SIZE	RESTRICTED TO
2 PLC ± -		APPLICATION SPEC	A2	
3 PLC ± .005		108-25,016	CAGE CODE	
4 PLC ± -		WEIGHT	00779	
ANGLES ± -		CUSTOMER DRAWING	DRAWING NO	
MATERIAL: HOUSING: FLAME RETARDANT THERMOPLASTIC, COLOR-BLACK CONTACTS: PHOS BRONZE		FINISH: CONTACTS: .000030 GOLD IN CONTACT AREA, GOLD FLASH ON THE REMAINDER, ALL OVER .000050 NICKEL	C=87988	
		SCALE	4:1	SHEET 1 OF 1
		REV	L	