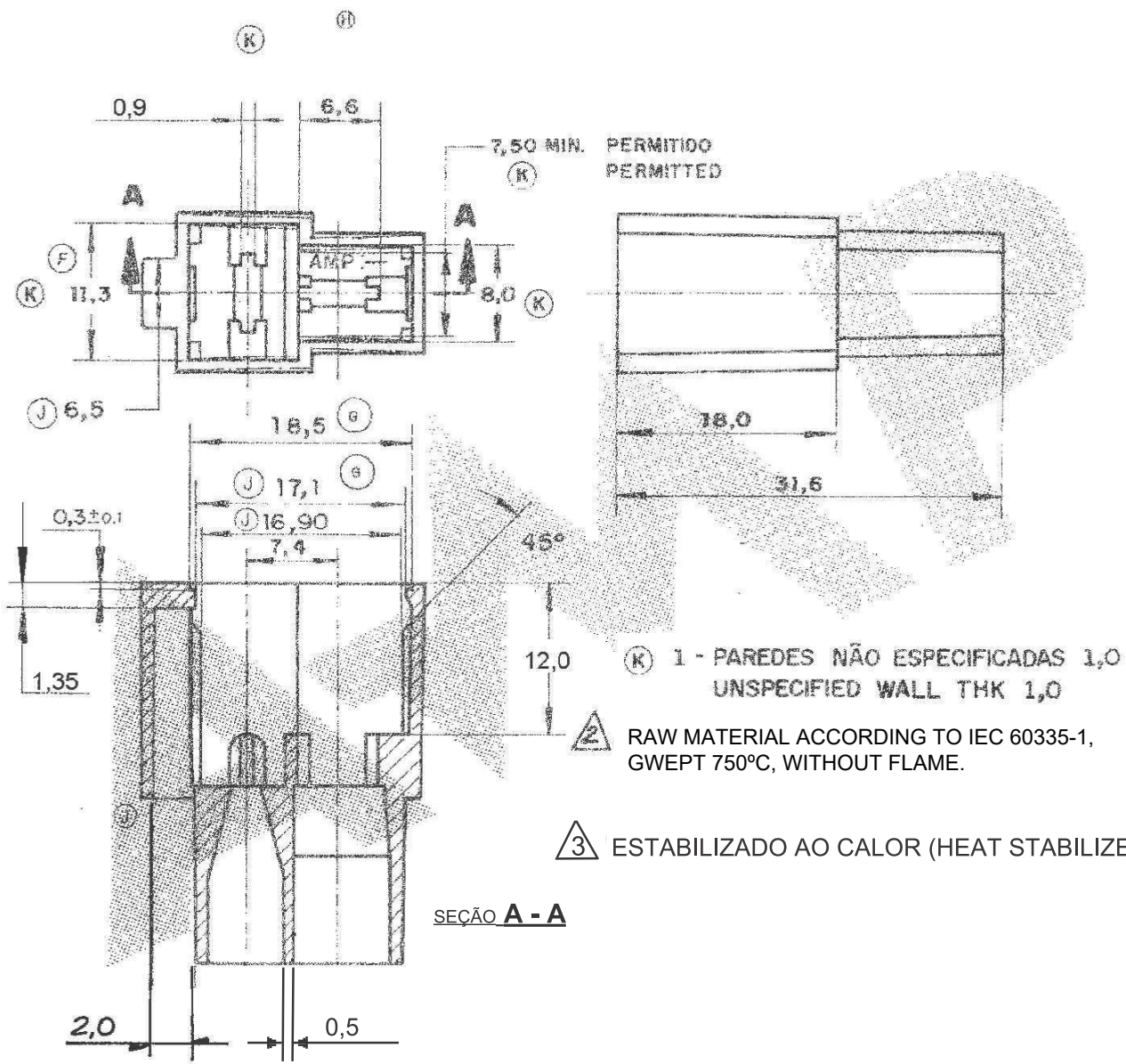


DO NOT SCALE
DIMENSIONS IN MM.

METRIC



- (K) 1 - PAREDES NÃO ESPECIFICADAS 1,0
UNSPECIFIED WALL THK 1,0
- (2) RAW MATERIAL ACCORDING TO IEC 60335-1,
GWPT 750°C, WITHOUT FLAME.
- (3) ESTABILIZADO AO CALOR (HEAT STABILIZED).

PRETO / BLACK	NYLON 6.6	(3)	- 9
NATURAL	NYLON 6.6 V0	GWT (2)	- 8
NATURAL	NYLON 6,6 V2		880 310 - 1
OTHER TREATMENT	FINISH	MATERIAL	PART NUMBER

CUSTOMER DWG
for REFERENCE ONLY

TOLERANCES UNLESS OTHERWISE STATED					INS DIA. RANGE	WIRE RANGE	SCALE
DEC ±0,3					TE Connectivity DESCRIPTION 2 WAY .250 S. FAST-IN-ON TAB HSG.		
ANGLES ±1°							
R	REVISED PER ECN 23-193366	WLS	BHC	10JAN23	DWS NO A4 C 880 310 SHEET 1 OF 1		
P4	REVISED PER ECN-22-135694	WLS	EW	21JAN22			
P3	REVISED BY ECO-19-012683	WLS	WLS	14AUG19			
P2	REVISED BY ECO19-000212	WLS	WLS	05FEB19			
P1	REV. ECO 17.013915	HC	HC	21SEP17			
P	REVISED BY ECO 12-002341	HC	WLS	06FEB12			
N2	REVISED PER ECO-11-005139	RK	HMR	28MAR11			
ISS	REVISION RECORD	DR	APR	DATE			