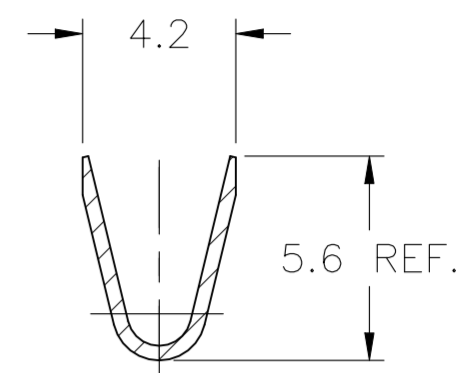
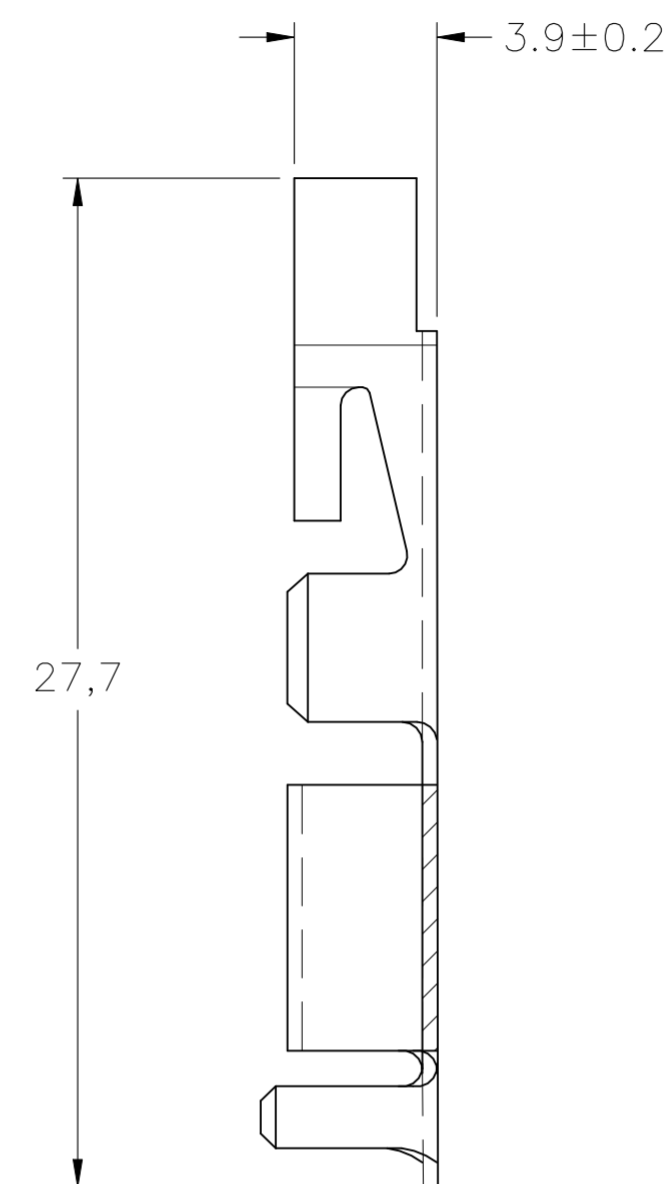
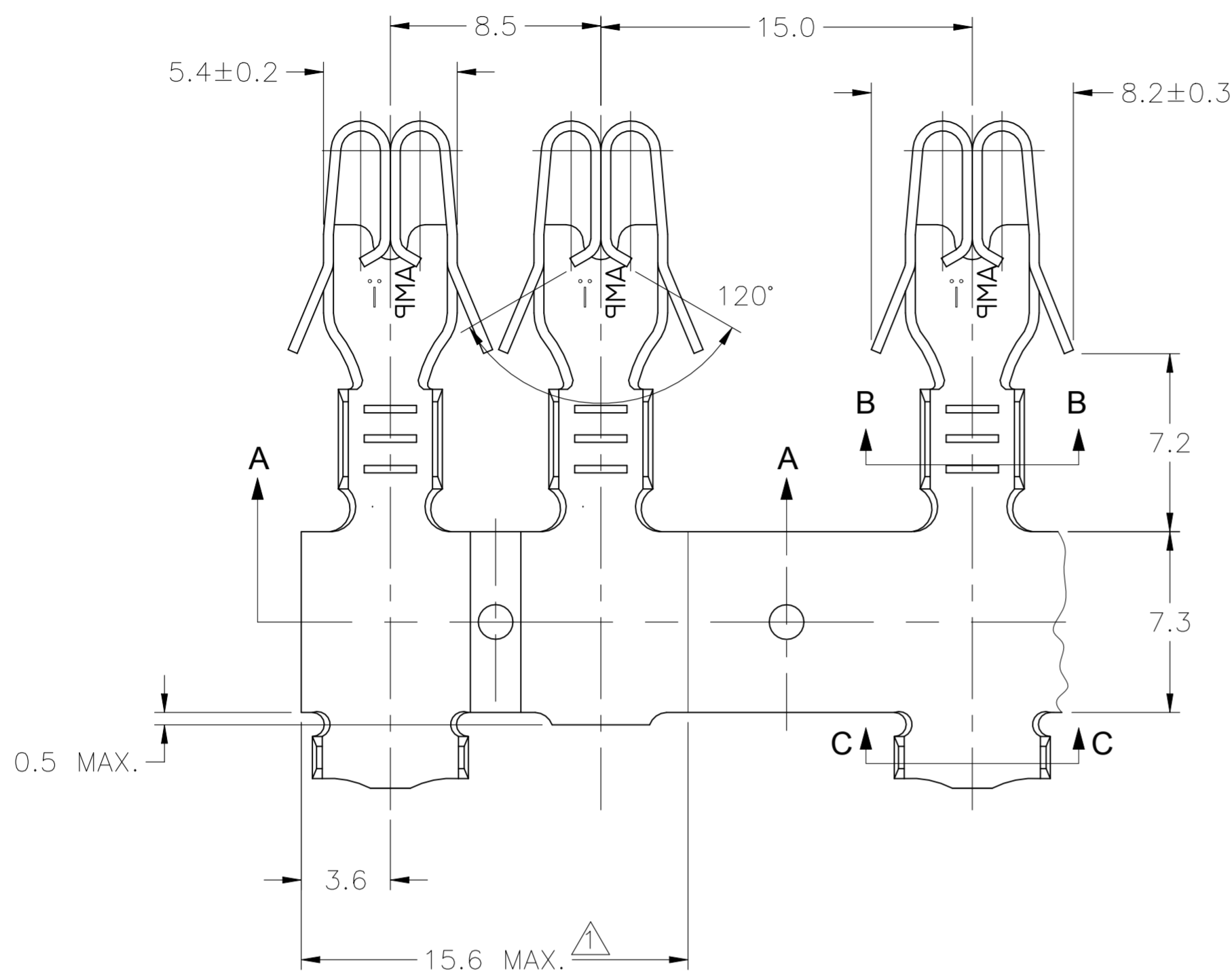


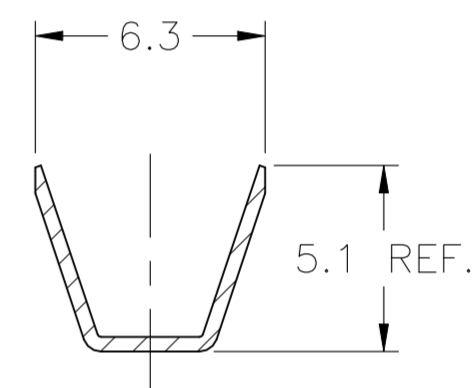
THIS DRAWING IS UNPUBLISHED. RELEASED FOR PUBLICATION
 © COPYRIGHT - By - ALL RIGHTS RESERVED.

CAD
 AUTOCAD
 DO NOT REVISE
 EXCEPT BY CAD

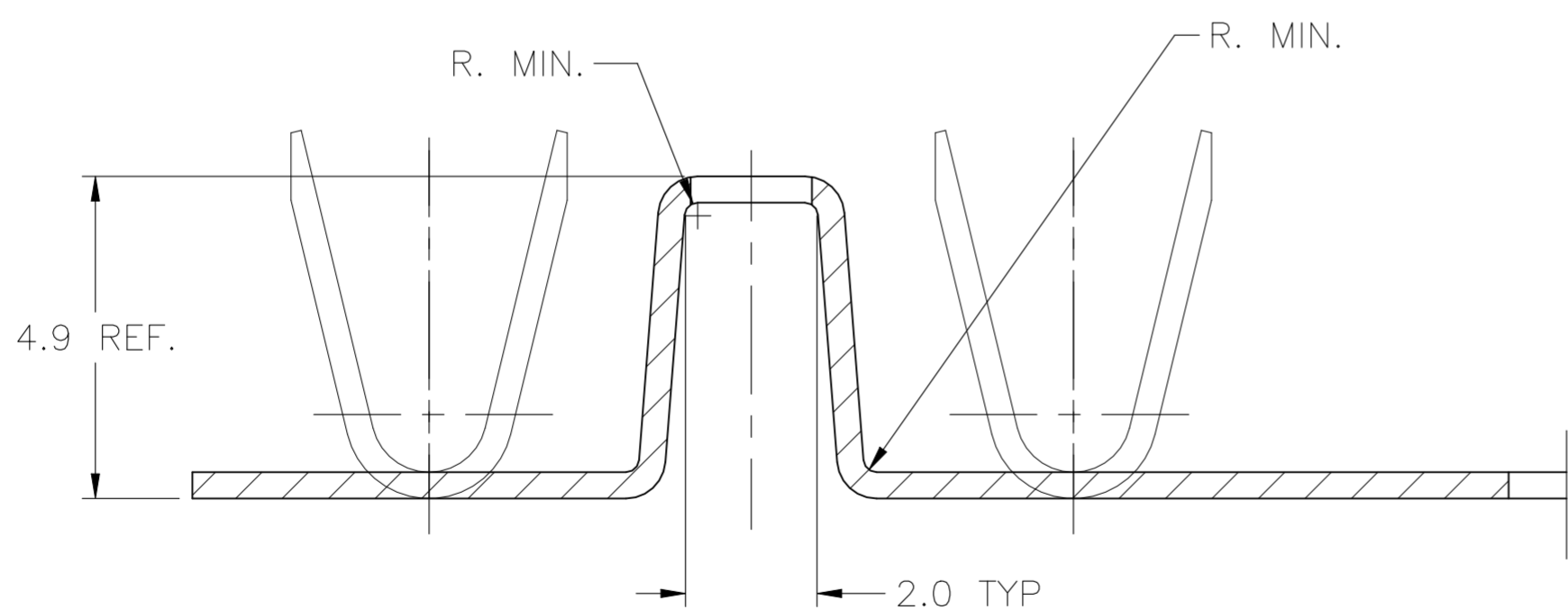
LOC		DIST		REVISIONS			
P	LTR	DESCRIPTION	DATE	DWN	APVD		
F		REVISED DRAWING ECO-14-015576	14OCT2014	NCL	NMS		
F1		REVISED DRAWING ECO-18-015648	05OCT2018	NCL	JMN		



SECTION B-B



SECTION C-C



SECTION A-A

NOTES:

△ - DIMENSÃO DE CORTE PARA O APLICADOR

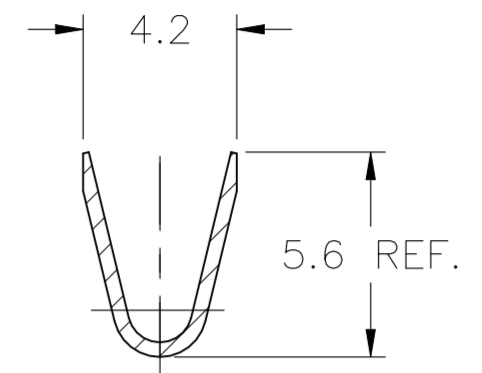
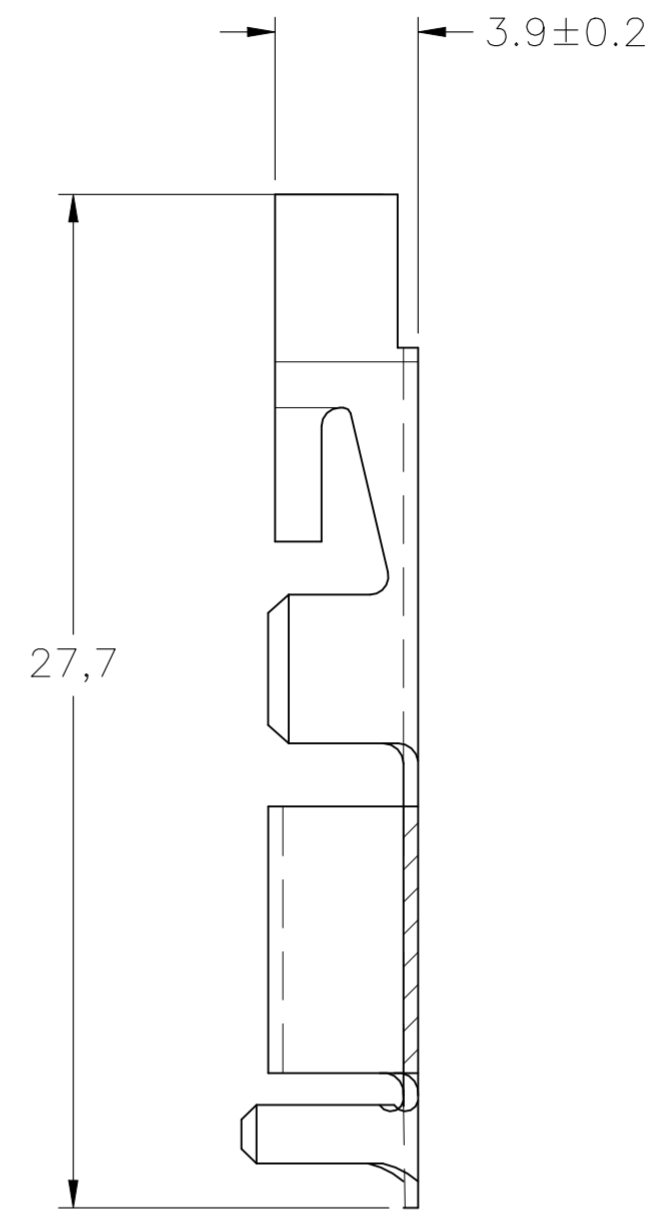
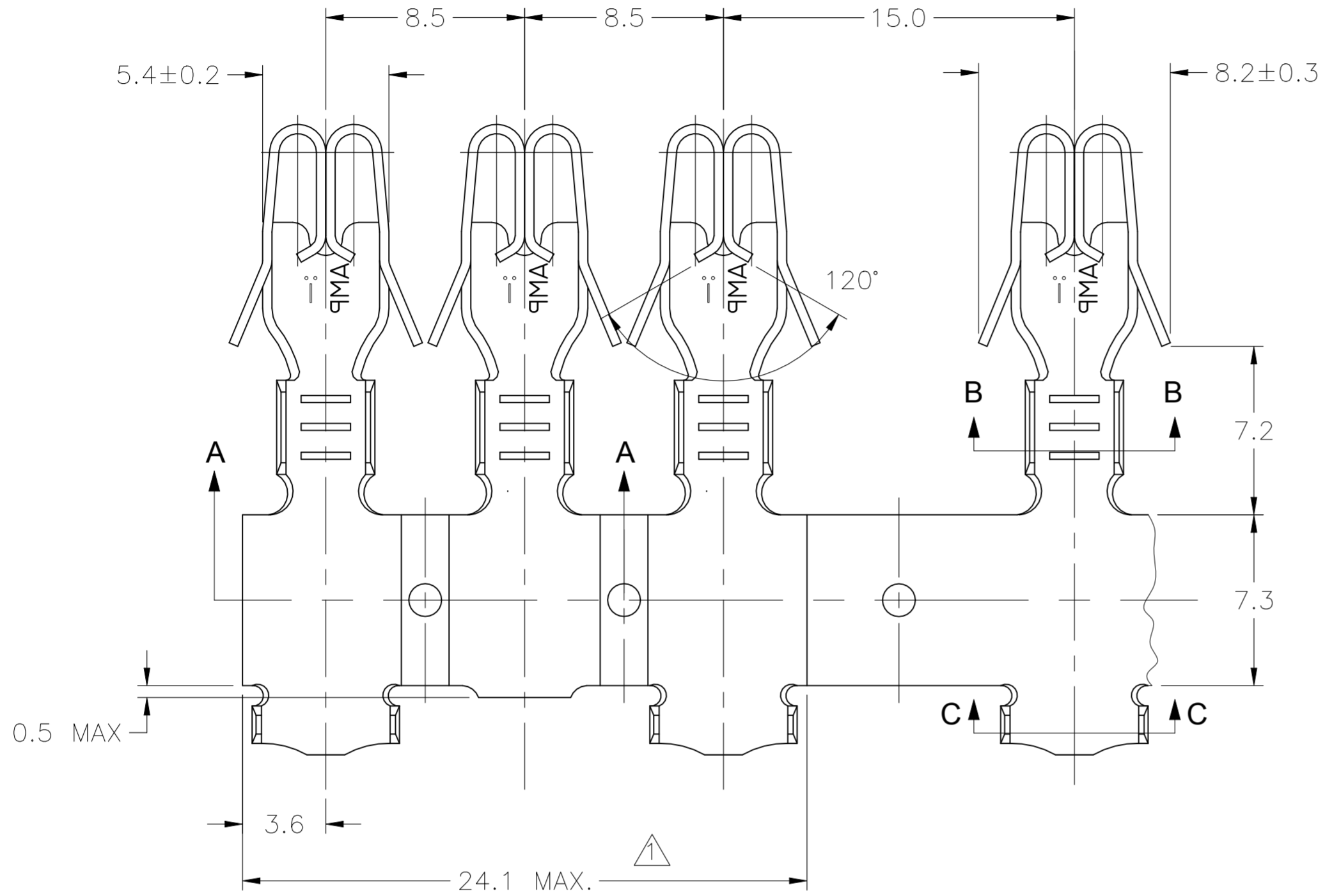
△ - CUT DIMENSION FOR APPLICATOR

OBSOLETE		ESTANHADO/ TIN PLATED	COBRE-FERRO/COPPER IRON	2-880492-3		
WIRE RANGE	2TB-250-101-72-500	PRE-ESTANHADO/ PRE TINNED	LATÃO/BRASS	2-880492-2		
INSUL. RANGE	3,3 - 4,5mm		LATÃO/BRASS	2-880492-1		
	OTHER TREATMENT	FINISH	MATERIAL	PART NUMBER		
THIS DRAWING IS A CONTROLLED DOCUMENT.		DWN F.S.MARTINS 03NOV99				
DIMENSIONS: mm		CHK P.L.FARIA 07JAN00				
TOLERANCES UNLESS OTHERWISE SPECIFIED:		APVD F.ALEXANDRONI 10JAN00				
0 PLC ± - 1 PLC ± 0,5 2 PLC ± - 3 PLC ± - 4 PLC ± - ANGLES ± 1°		NAME				
MATERIAL	FINISH	WEIGHT	SIZE	CAGE CODE	DRAWING NO	RESTRICTED TO
SEE TABLE	SEE TABLE	-	A2	00779	C=880492	-
CUSTOMER DRAWING			SCALE	SHEET	REV	
			5:1	1 of 3	F1	

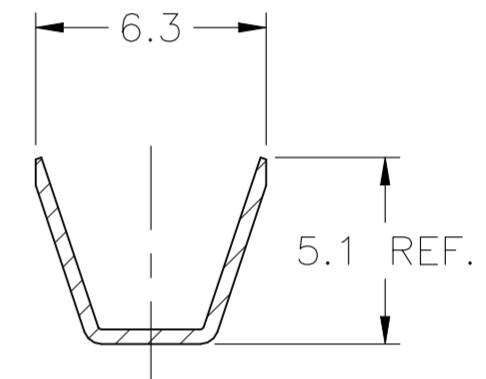
THIS DRAWING IS UNPUBLISHED. RELEASED FOR PUBLICATION
 © COPYRIGHT - By - ALL RIGHTS RESERVED.

CAD
 AutoCAD
 DO NOT REVISE
 EXCEPT BY CAD

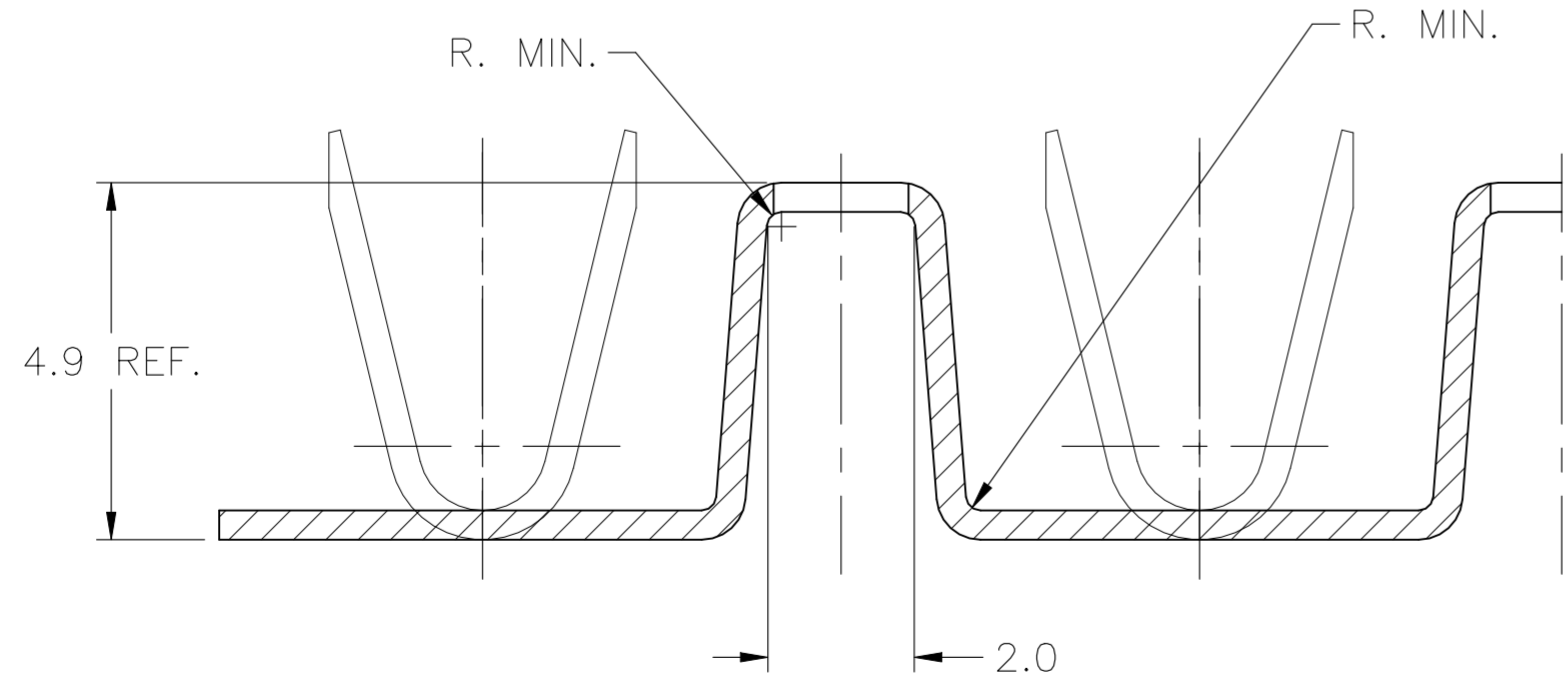
LOC		DIST		REVISIONS			
P	LTR	DESCRIPTION	DATE	DWN	APVD		
-	-	SEE SHEET 1	-	-	-	-	-



SECTION B-B



SECTION C-C



SECTION A-A

NOTES:

1 -DIMENSÃO DE CORTE PARA O APLICADOR

1 -CUT DIMENSION FOR APPLICATOR

WIRE RANGE		OBSOLETE		ESTANHADO/ TIN PLATED	COBRE-FERRO/COPPER IRON	3-880492-3	
2,5 - 4,0mm ²	3TB-250-101-72-500	PRE-ESTANHADO/PRE TINNED	LATÃO/BRASS			3-880492-2	
INSUL. RANGE	3,3 - 4,5mm	OTHER TREATMENT	FINISH	MATERIAL		3-880492-1	
THIS DRAWING IS A CONTROLLED DOCUMENT.		DWN	28OCT99	TE Connectivity FUSE CONTACT (BUS-BAR)			
DIMENSIONS: mm		CHK	07JAN00				
TOLERANCES UNLESS OTHERWISE SPECIFIED:		APVD	10JAN00				
0 PLC ± -		NAME					
1 PLC ± 0,5		PRODUCT SPEC		SIZE	CAGE CODE	DRAWING NO	RESTRICTED TO
2 PLC ± -		APPLICATION SPEC		A2	00779	C=880492	-
3 PLC ± -				WEIGHT			
4 PLC ± -							
ANGLES ± 0°30'				CUSTOMER DRAWING	SCALE	SHEET	REV
MATERIAL		FINISH			5:1	2 of 3	F1
SEE TABLE		SEE TABLE					

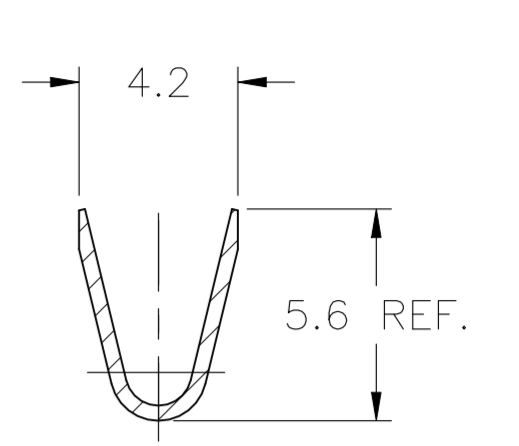
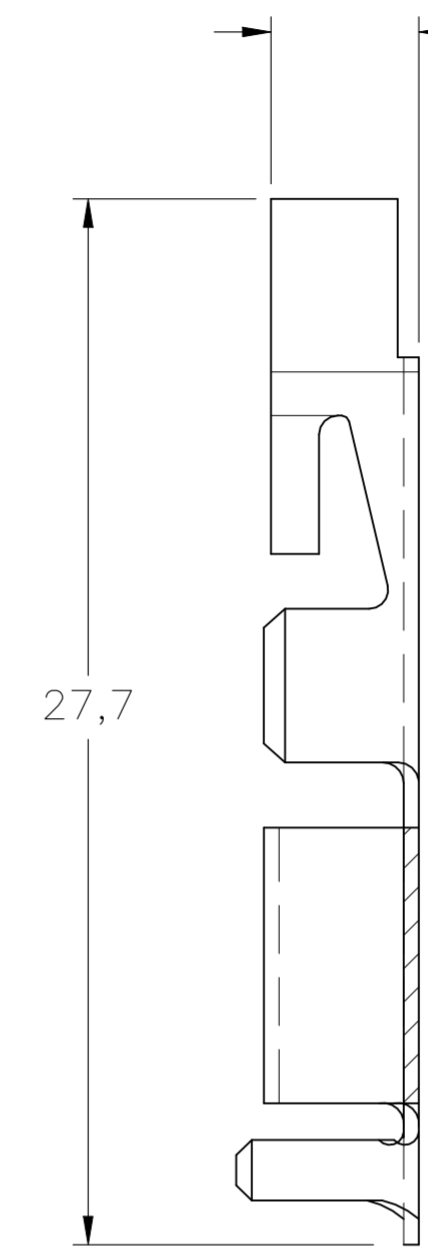
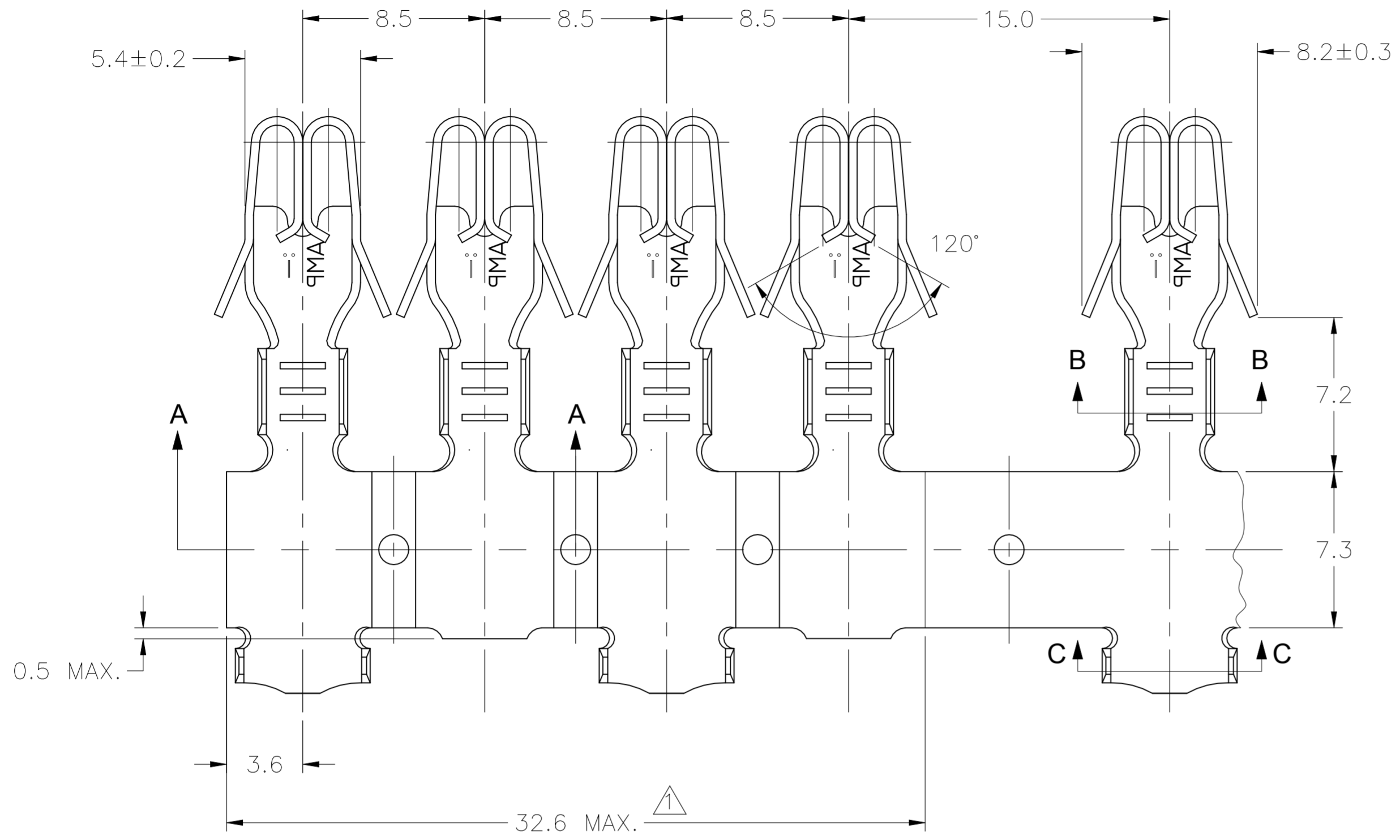
THIS DRAWING IS UNPUBLISHED. RELEASED FOR PUBLICATION
 © COPYRIGHT - By - ALL RIGHTS RESERVED.

CAD
 AutoCAD
 DO NOT REVISE
 EXCEPT BY CAD

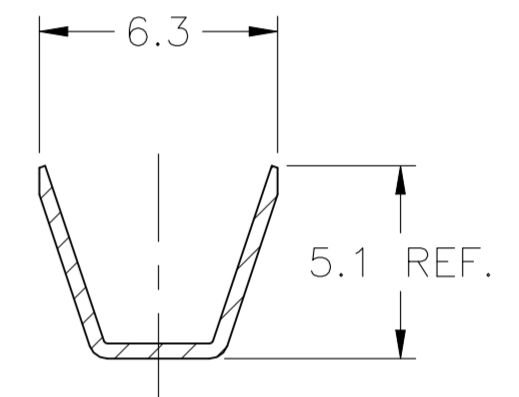
LOC
 AP

DIST
 -

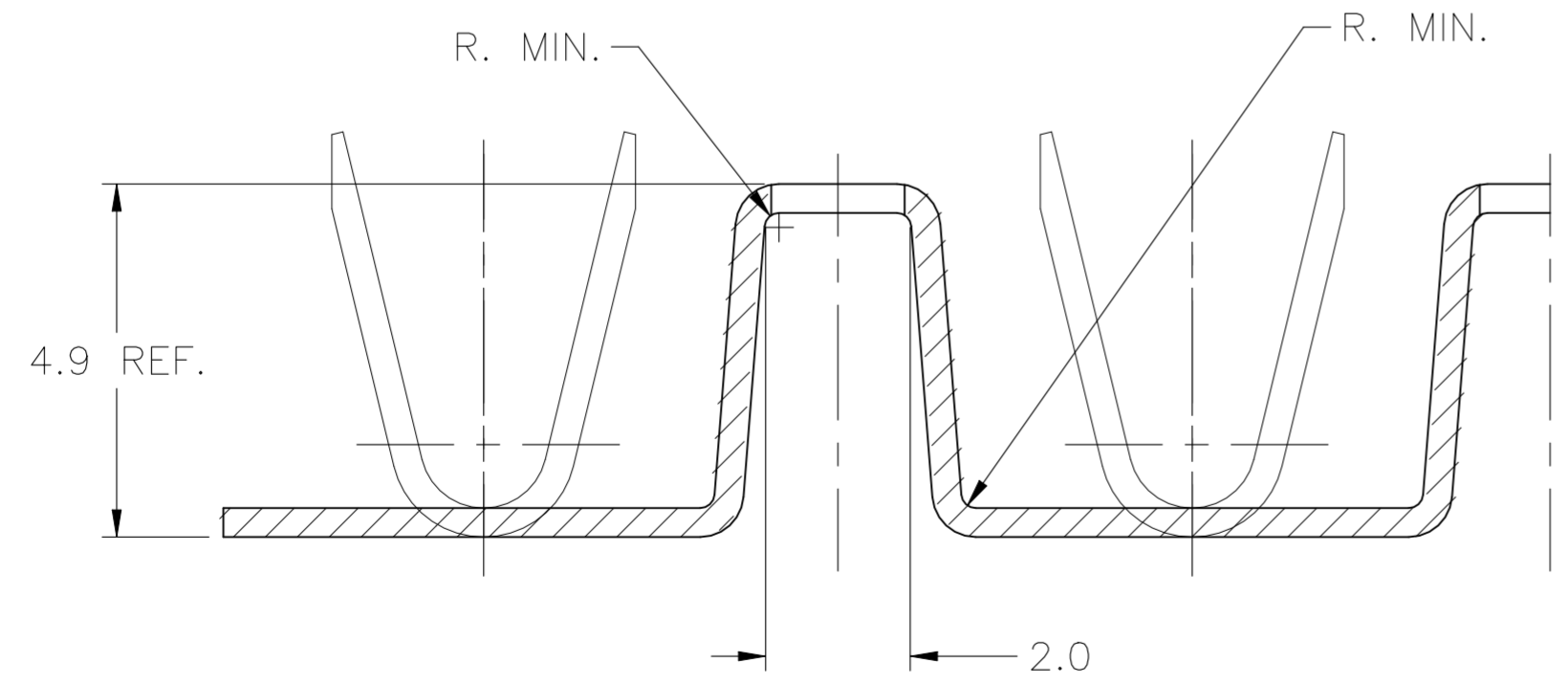
REVISIONS				DATE	DWN	APVD
P	LTR	DESCRIPTION				
-	-	SEE SHEET 1	-	-	-	-



SECTION B-B



SECTION C-C



SECTION A-A

NOTES:

- ① -DIMENSÃO DE CORTE PARA O APLICADOR
- ① -CUT DIMENSION FOR APPLICATOR

OBSOLETE		ESTANHADO/TIN PLATED	COBRE-FERRO/COPPER IRON	4-880492-3		
WIRE RANGE 2.5 - 4.0mm	4TB-250-101-72-500	PRE-ESTANHADO/PRE TINNED	LATÃO/BRASS	4-880492-2		
INSUL. RANGE 3.3 - 4.5mm		-	LATÃO/BRASS	4-880492-1		
	OTHER TREATMENT	FINISH	MATERIAL	PART NUMBER		
THIS DRAWING IS A CONTROLLED DOCUMENT.		DWN F.S.MARTINS 03NOV99	TE Connectivity FUSE CONTACT (BUS-BAR)			
DIMENSIONS: mm		CHK P.L.FARIA 07JAN00				
TOLERANCES UNLESS OTHERWISE SPECIFIED:		APVD F.ALEXANDRONI 10JAN00				
0 PLC ± - 1 PLC ± 0,5 2 PLC ± - 3 PLC ± - 4 PLC ± - ANGLES ± 1°		NAME				
MATERIAL SEE TABLE	FINISH SEE TABLE	WEIGHT -	SIZE A2	CAGE CODE 00779	DRAWING NO C=880492	RESTRICTED TO -
CUSTOMER DRAWING			SCALE 5:1	SHEET 3 of 3	REV F1	